

UNIT HEATER - WALL MOUNT
 110" UP TO BOTTOM - 6 KW
 CAPACITY, 20,422 BTU/HR,
 460 CFM, 1650 RPM, 240V, 1ϕ

LIGHTING FIXTURES - WAKEFIELD
 1F-240 25-YF-7/40 W-MOUNT
 @ BOTTOM OF JOISTS

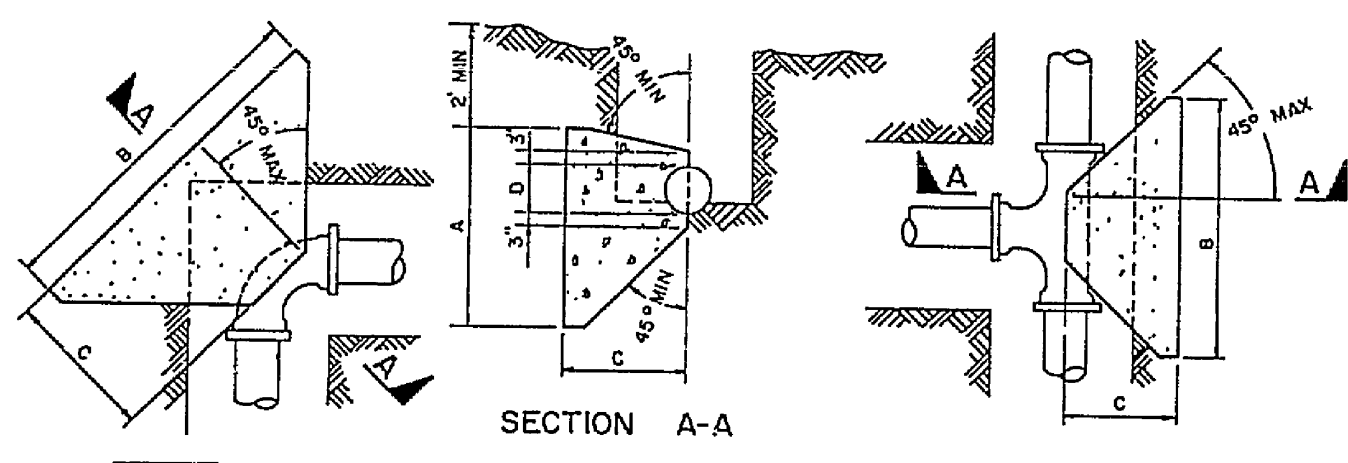
1P, 30 A, NEMA 3R FOR ROOF
 EXHAUST FAN - 460 CFM @ 1/8"
 S.P., 2425 FPM TIP SPEED,
 925 RPM, 1/8 HP, 120 V, 1ϕ

PRESSURE SWITCH - MOUNT ON TEE -
 50-D TYPE ACW-5-02-ES-012 - SET
 TO OPEN CONTACTS @ 20 PSI FALLING
 PRESSURE W/MINIMUM DIFFERENTIAL,
 ADJUST TIME DELAY TO 15 SECONDS

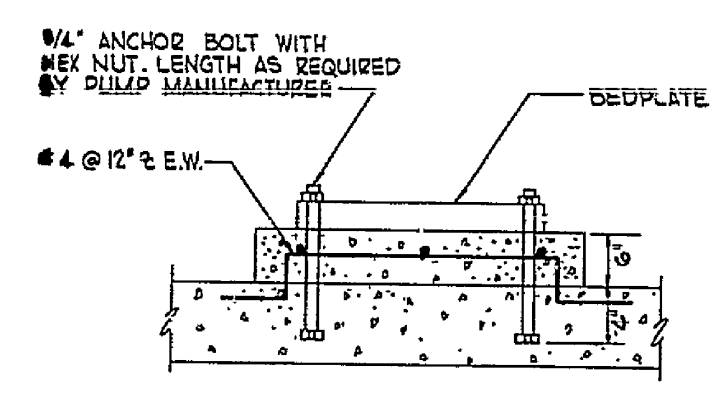
ELECTRICAL PLAN
 SCALE: 1/2" = 1'-0"

LEGEND

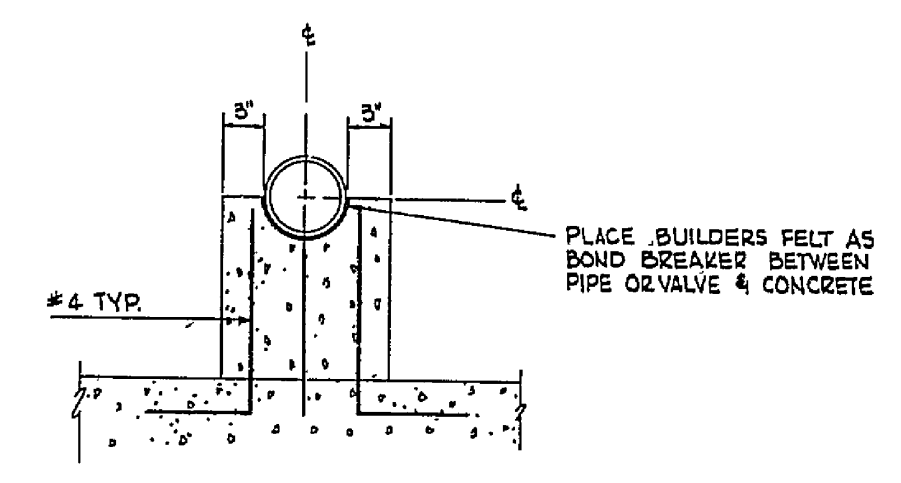
- FLOURESCENT LIGHTING FIXTURE - AS NOTED
- S SINGLE POLE SWITCH - 4'-0" UP
- DUPLEX RECEPTACLE - 12" UP
- ⊕ MOTOR CONNECTION - RATING SHOWN
- ⊖ DISCONNECT SWITCH - RATING SHOWN
- ▭ MISCELLANEOUS - AS NOTED
- CONDUIT - EXPOSED ON WALLS OR CEILING
- CONDUIT - CONCEALED IN FLOOR, CROSS HATCHING SHOWS NO. OF WIRES IF OTHER THAN TWO
- ~ FLEXIBLE CONDUIT CONNECTION
- ⊕ PRESSURE SWITCH - AS NOTED
- ⊖ FAN SWITCH W/THERMOSTAT - 5'-0" UP
- ▨ PANELBOARD - SEE SCHEDULE



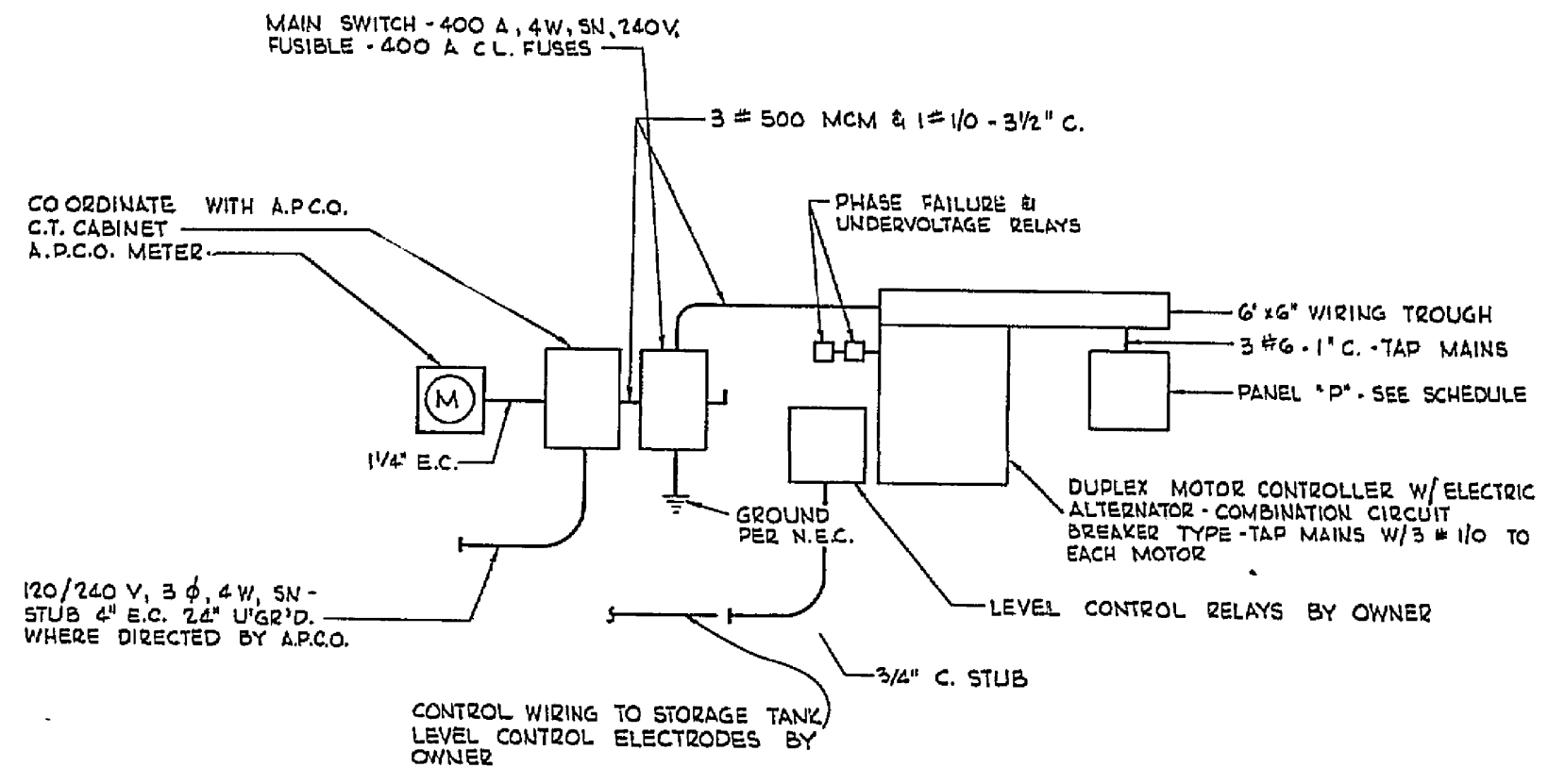
PIPE SIZE	TEE OR DEAD END			90° BEND			45° BEND			1 1/4" R 22 1/2° BENDS		
	A	B	C	A	B	C	A	B	C	A	B	C
4"	2.0	3.0	1.5	3.0	4.0	1.5	2.0	3.0	1.5	2.0	3.0	1.5
6"-8"	2.5	4.0	2.0	3.5	4.5	2.0	2.5	3.5	2.0	2.5	3.5	2.0
10"	3.0	4.5	2.0	4.0	5.0	2.5	2.5	4.0	2.0	2.5	4.0	2.5
12"	3.5	5.0	2.5	4.0	5.0	3.0	4.5	2.5	3.0	4.5	2.5	2.5



MOTOR PAD
 NOT TO SCALE



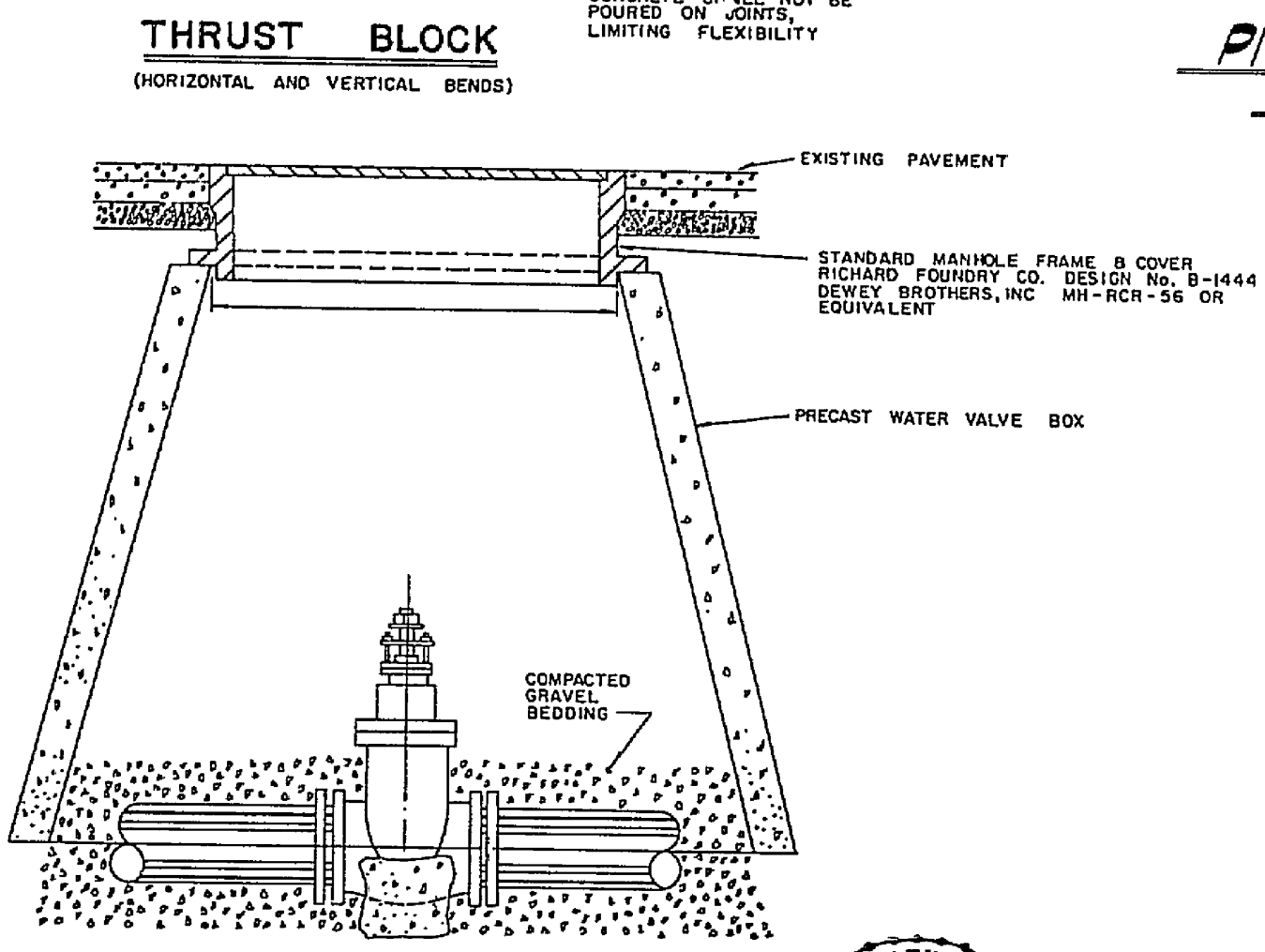
PIPE SUPPORT
 NOT TO SCALE



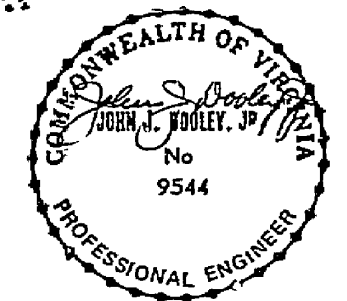
POWER RISER DIAGRAM
 NOT TO SCALE

WIRE	LOAD	WIRE	LOAD
12	LIGHTING	12	RECEPTACLES
12	EXHAUST FAN	12	CONTROL RELAY
-	SPARE	-	SPARE
8	UNIT HEATER	-	SPACE ONLY

PANEL "P"
 NOT TO SCALE



VALVE BOX INSTALLATION



REV. 1	GENERAL REVISIONS	10-29-80
BOARD OF COUNTY SUPERVISORS ROANOKE COUNTY, VIRGINIA		
WILLIAM COVERMAN ASSOCIATES, P.C.	TANGLEWOOD BOOSTER STATION ELECTRICAL	PROJECT NO. 80-3-W DATE: FEBRUARY, 1980 SHEET 2 OF 2 DWG. NO. 8112

WM-0090

