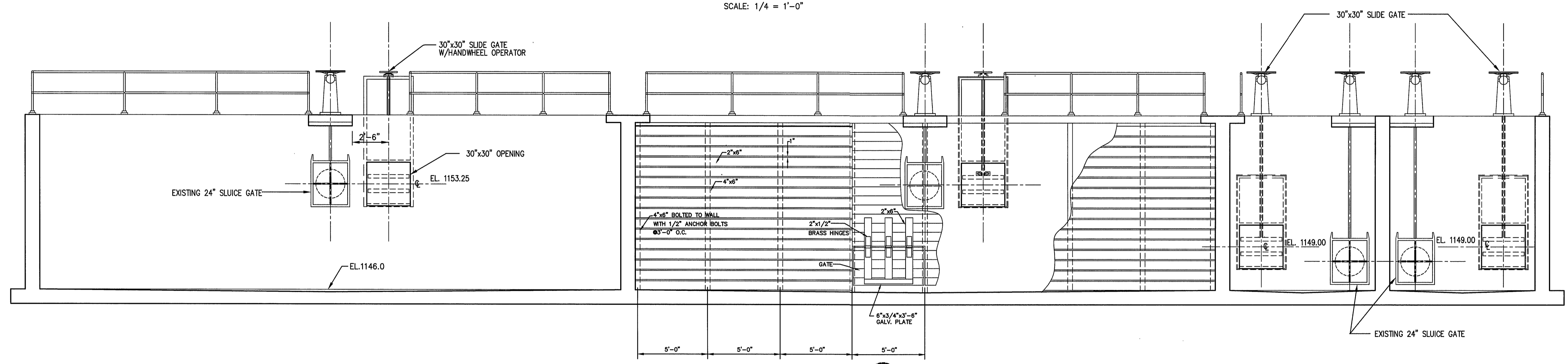
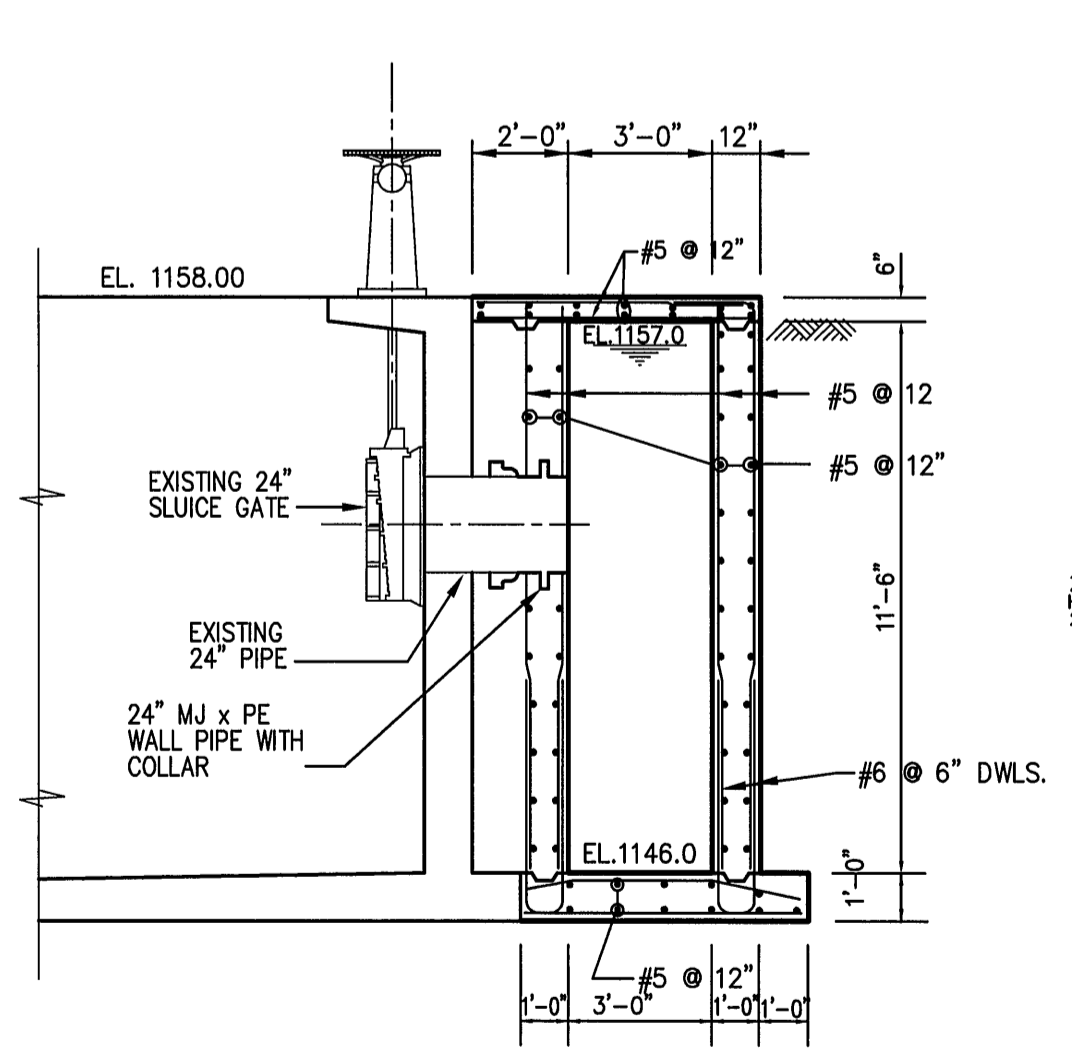


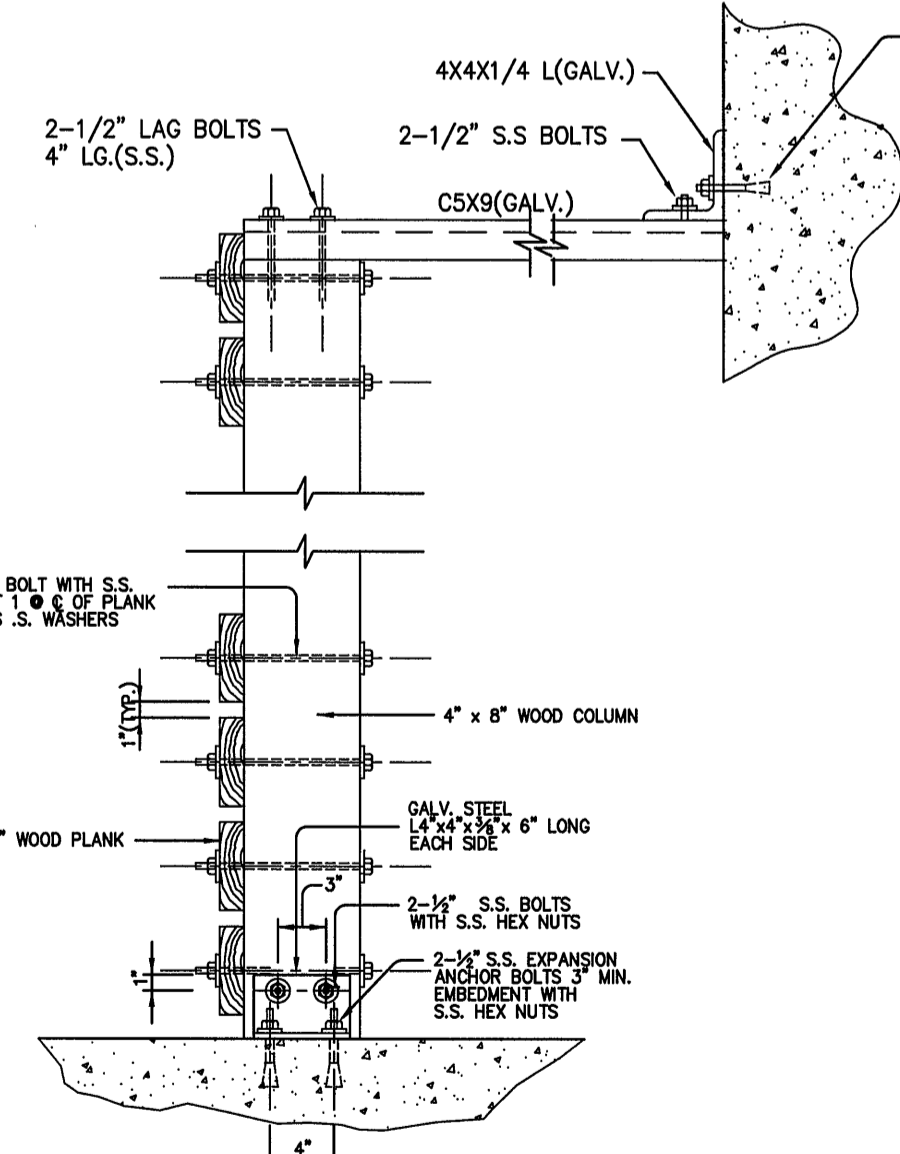
PLAN
SCALE: 1/4" = 1'-0"



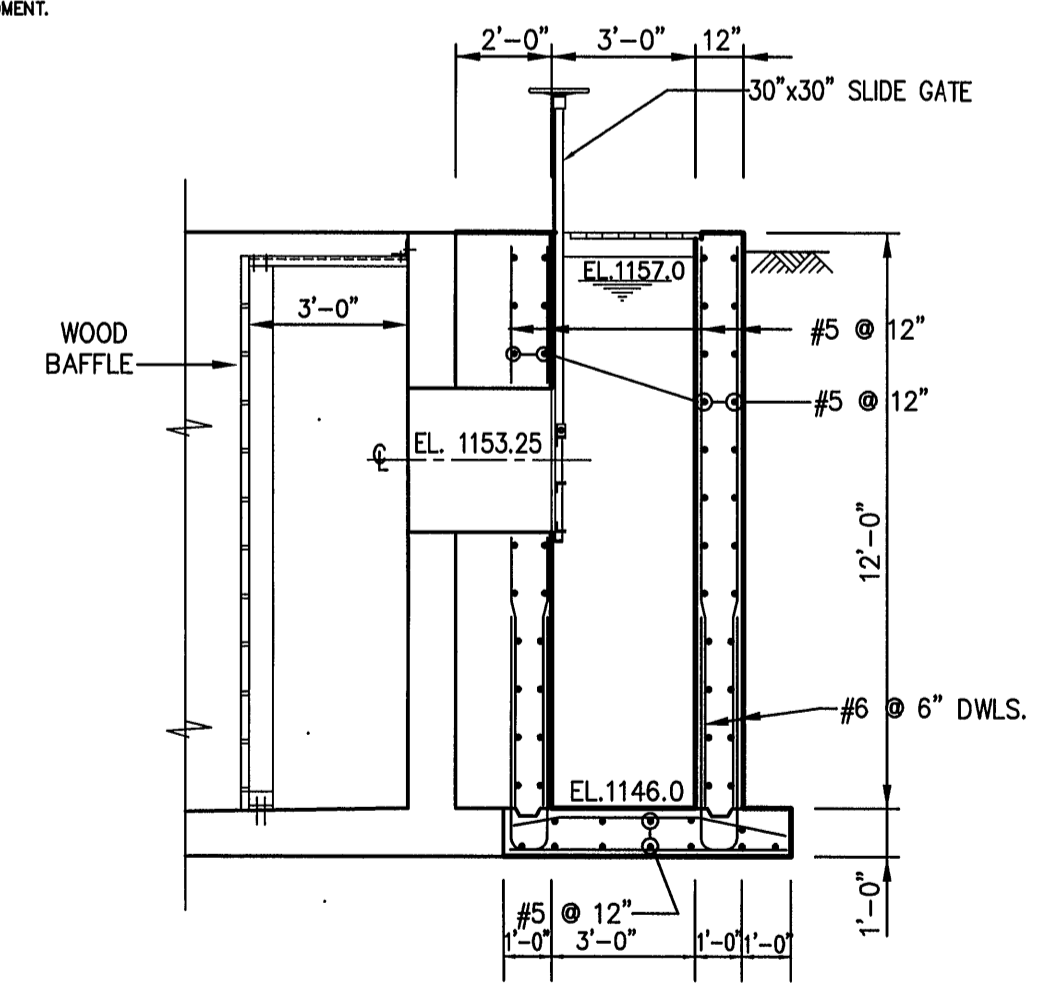
SECTION
SCALE: 1/4" = 1'-0"



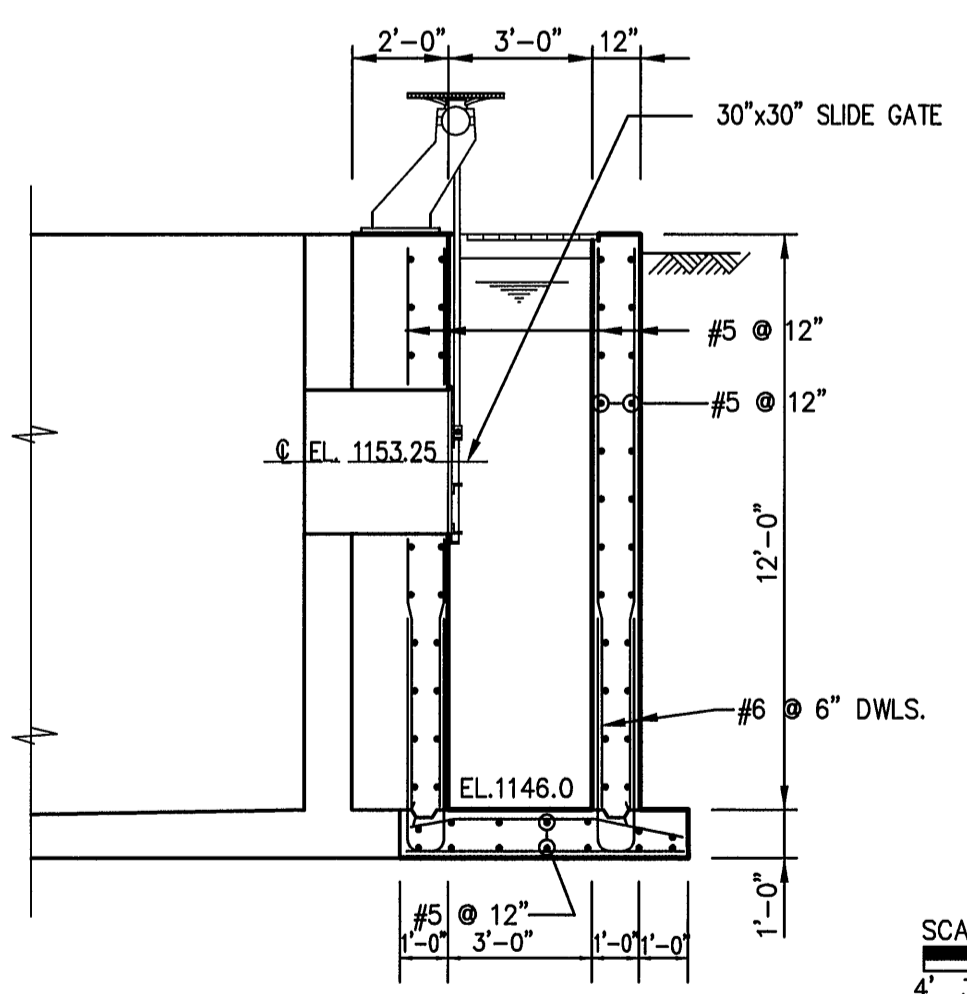
SECTION (K)
SCALE: 1/4" = 1'-0"



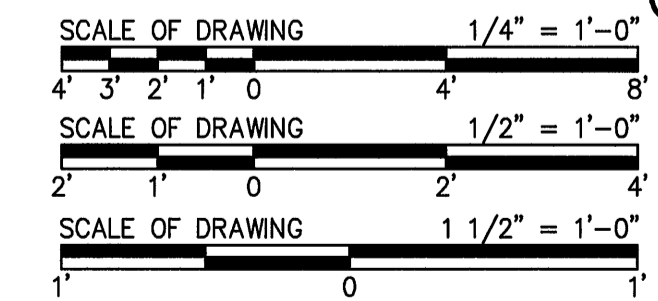
WOOD BAFFLE DETAILS
SCALE: 1 1/2" = 1'-0"



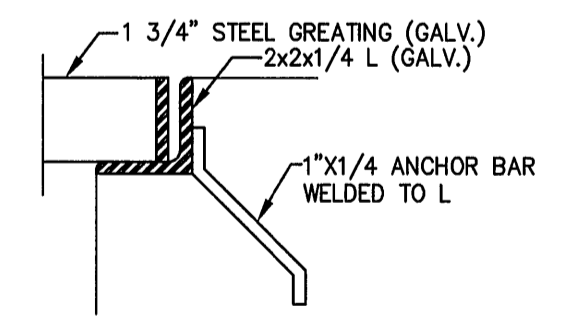
SECTION (L)
SCALE: 1/4" = 1'-0"



SECTION (M)
SCALE: 1/4" = 1'-0"



GRATING SUPPORT DETAIL
SCALE: 1/2" = 1'-0"



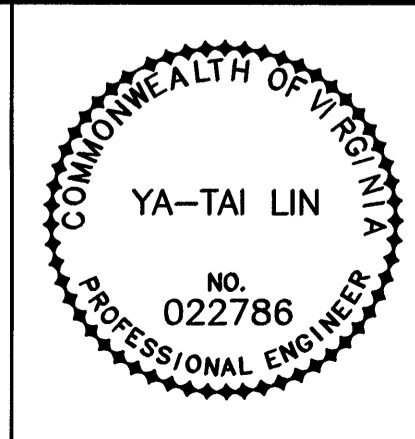
SECTION (EE)
NOT TO SCALE

DRAWING OF RECORD
DATE: SEP 30 1997

MATTERN & CRAIG
CONSULTING ENGINEERS • SURVEYORS
ROANOKE VIRGINIA

ALVORD, BURDICK & HOWSON
ENGINEERS CHICAGO

DESIGNED: K.C. F.L.
DRAWN: H.F. R.T.
CHECKED: Y.T.L.



REV.	DATE	DESCRIPTION	BY	APP.

CARVINS COVE FILTER PLANT IMPROVEMENTS - PHASE I
ROANOKE, VIRGINIA

1944 FLOCC. MIXING BASIN EFFLUENT IMPROVEMENT

DATE: APRIL 1992
COMM. NO. 9130
SHEET
EP10