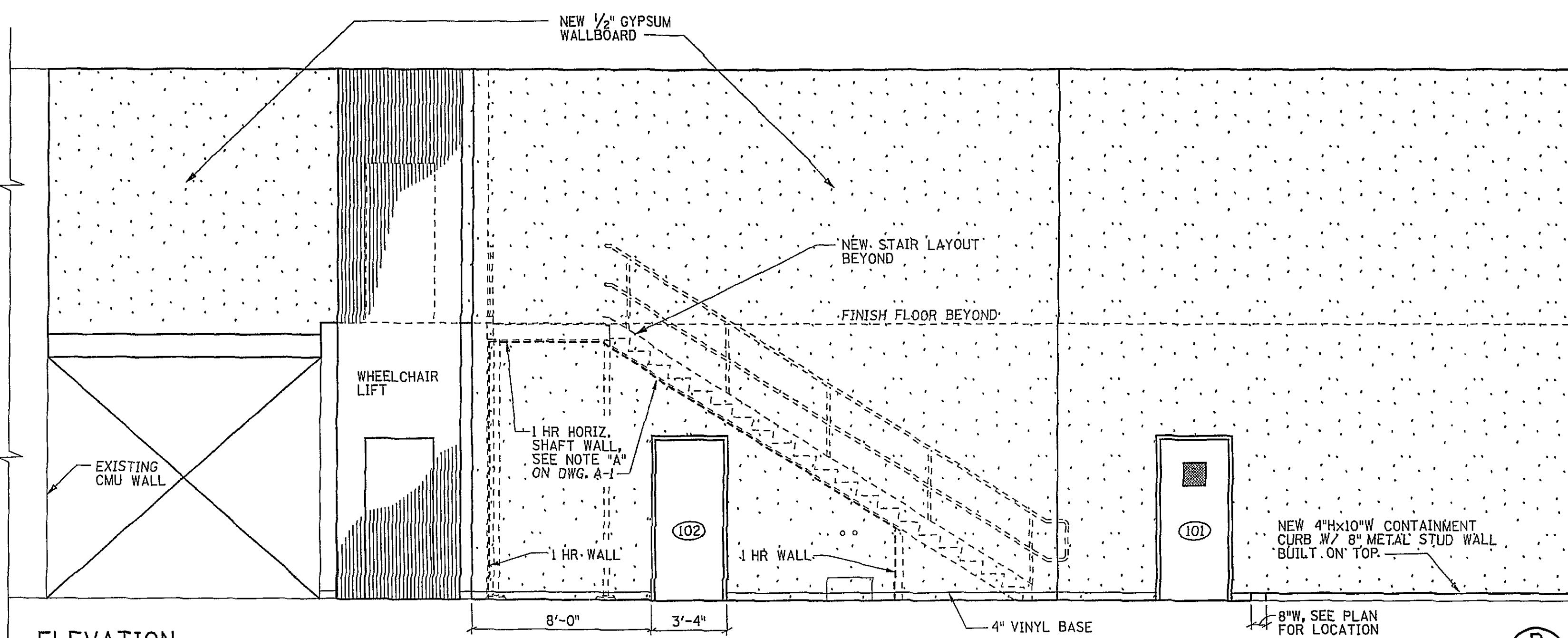


**BUILDING CROSS SECTION**

SCALE: 1/4" = 1'-0"

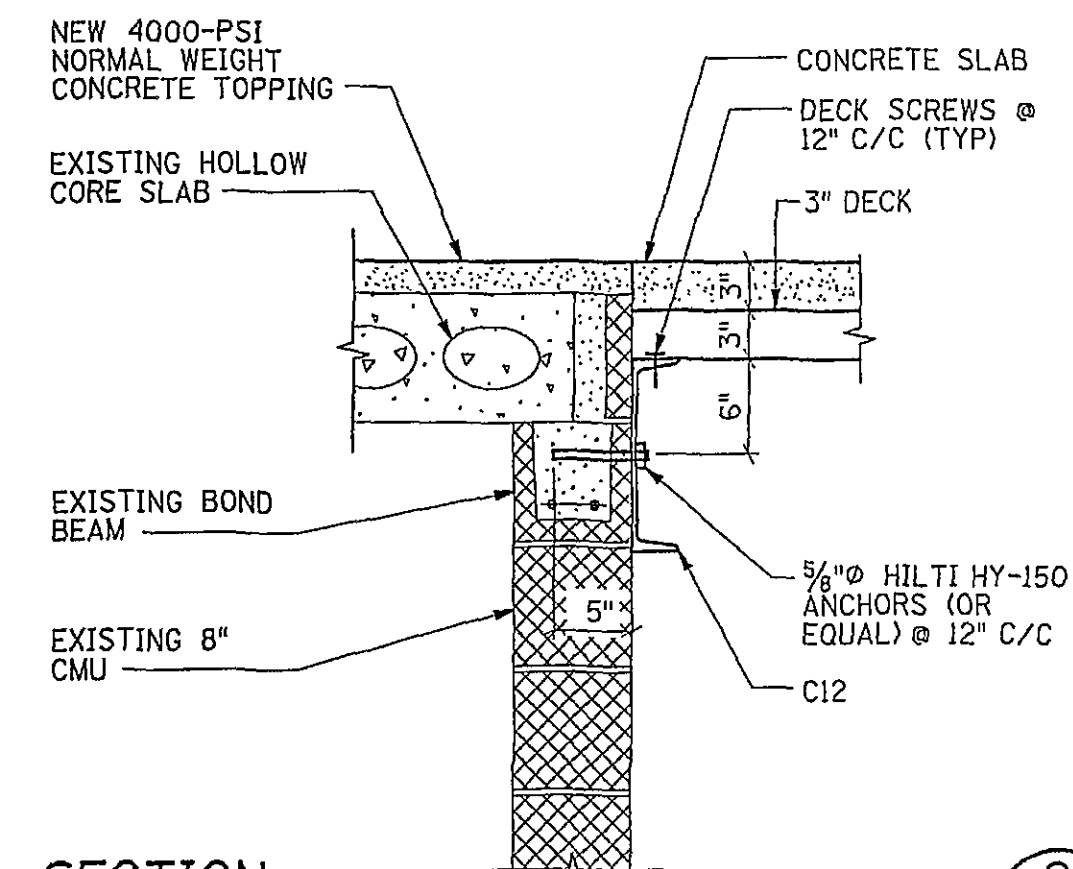
A1 | A2



**ELEVATION**

SCALE: 1/4" = 1'-0"

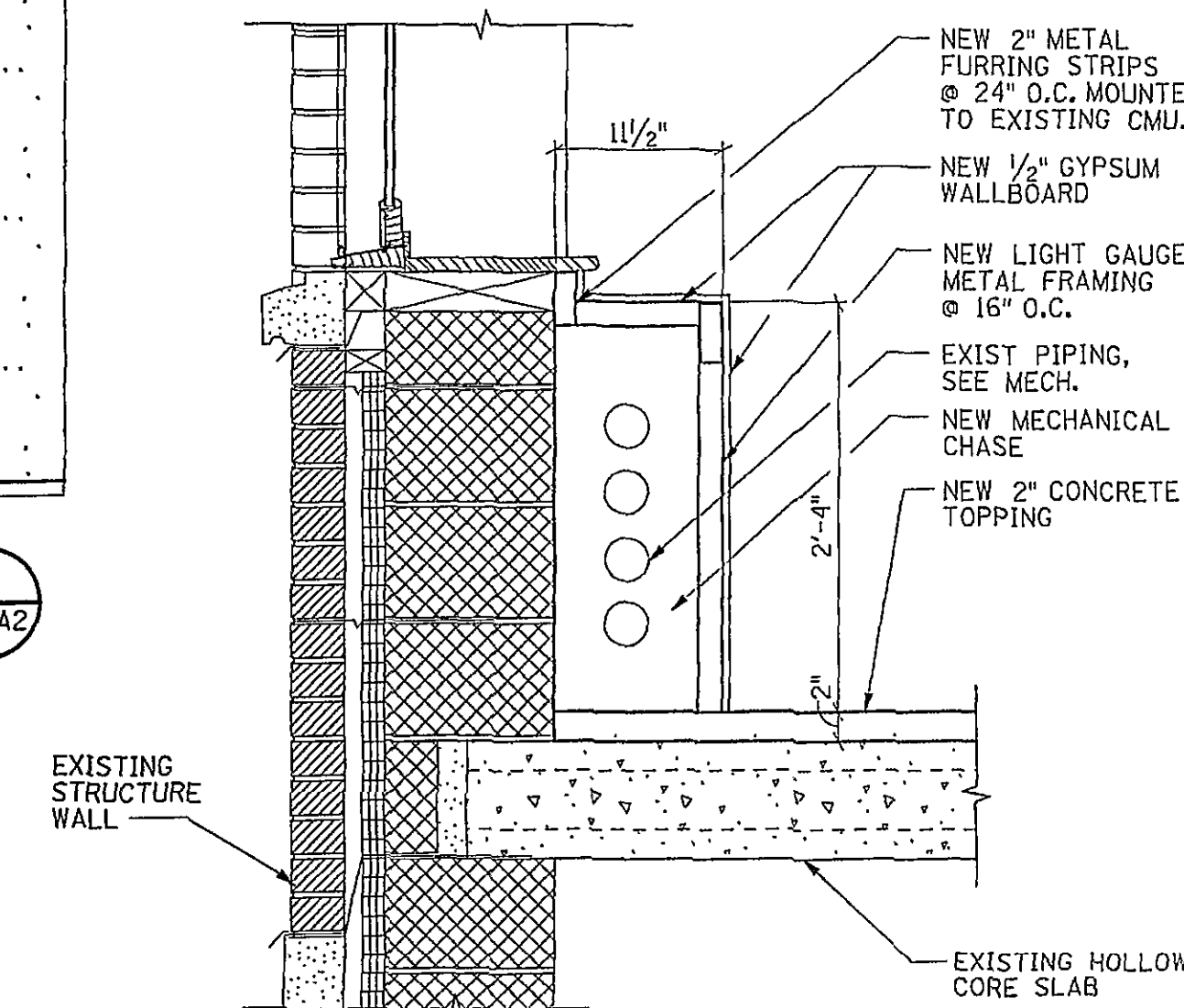
B1 | B2



**SECTION**

SCALE: 1" = 1'-0"

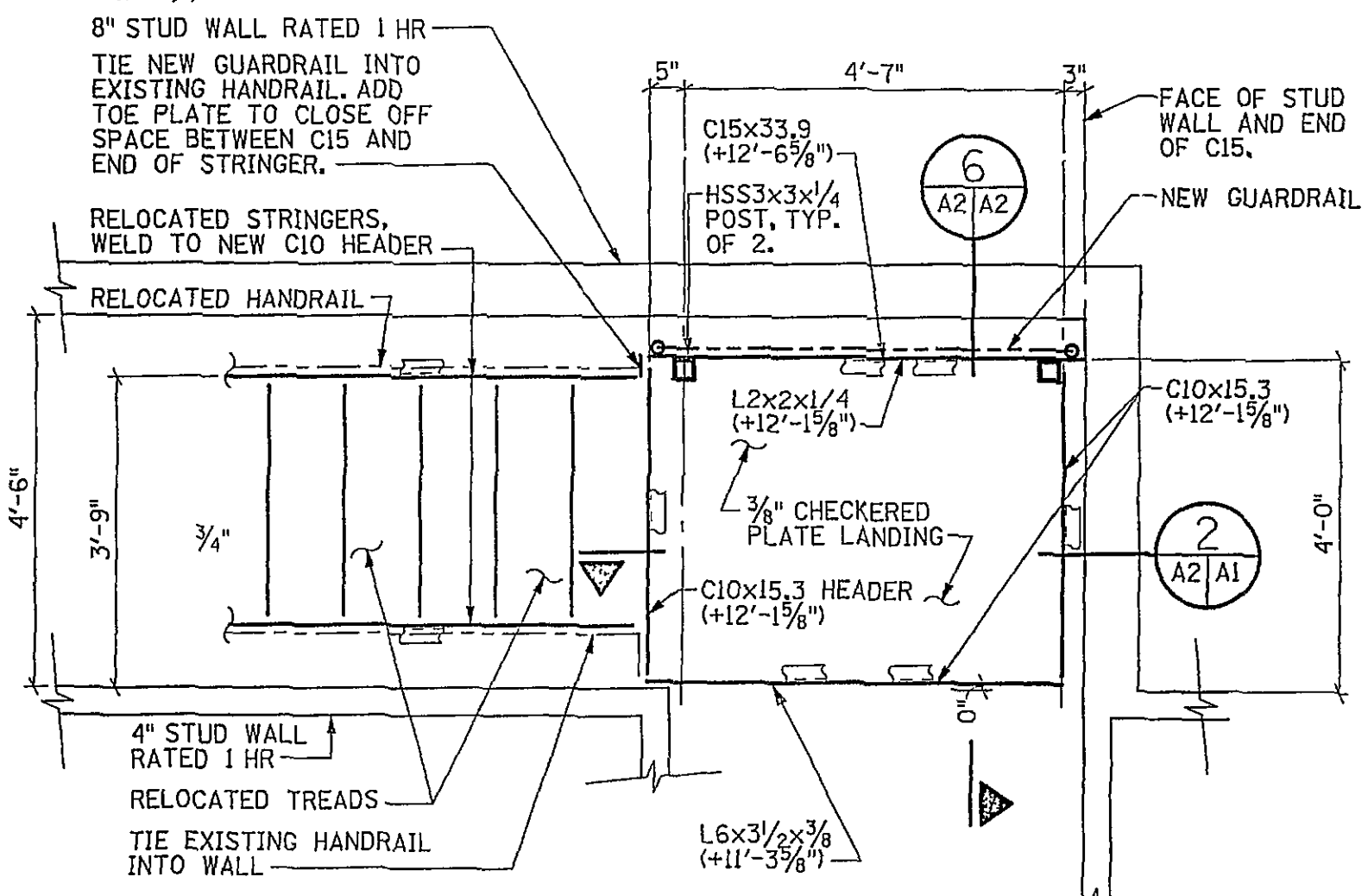
9  
A2 | A2



**SECTION**

SCALE: 1" = 1'-0"

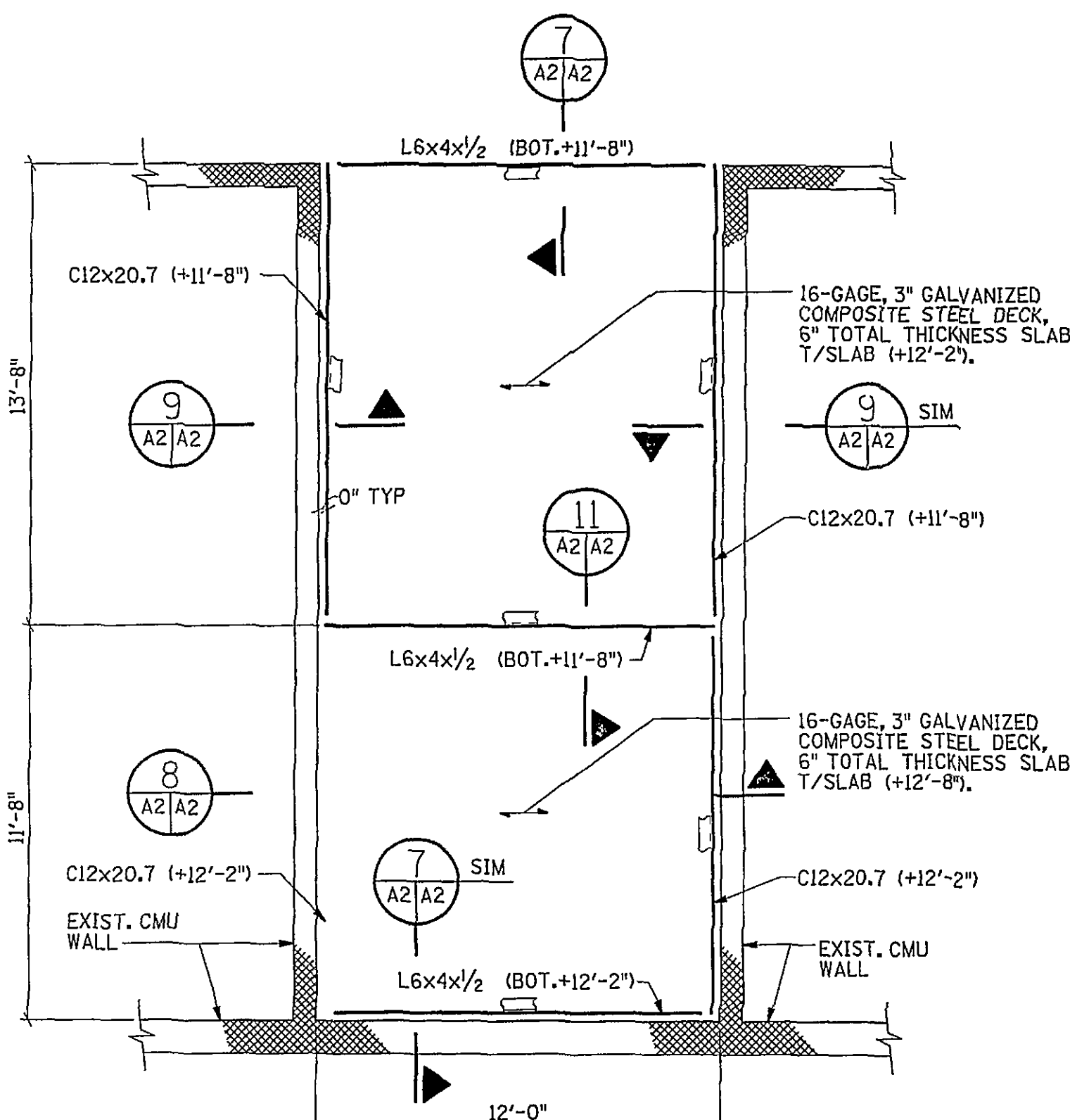
10  
A1 | A2



**UPPER LANDING FRAMING PLAN**

SCALE: 1/2" = 1'-0"

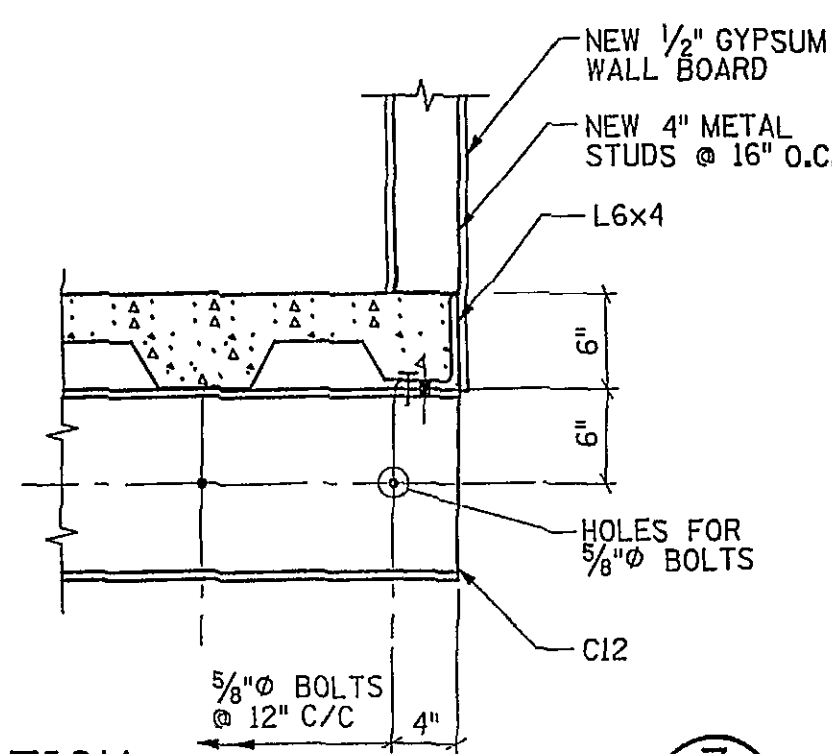
4  
A1 | A2



**MEZZANINE SLAB INFILL FRAMING PLAN**

SCALE: 1/4" = 1'-0"

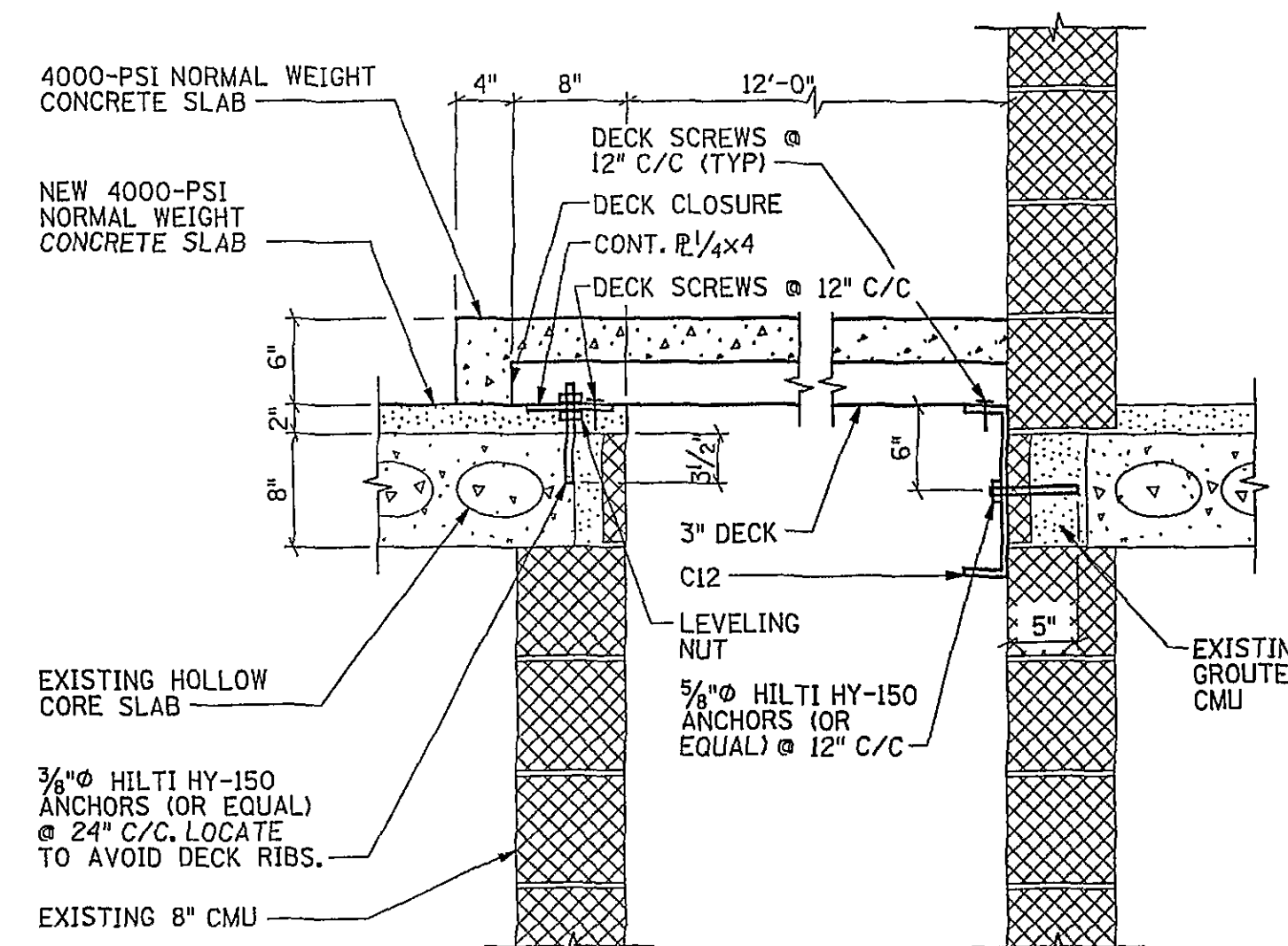
5  
A2 | A2



**SECTION**

SCALE: 1" = 1'-0"

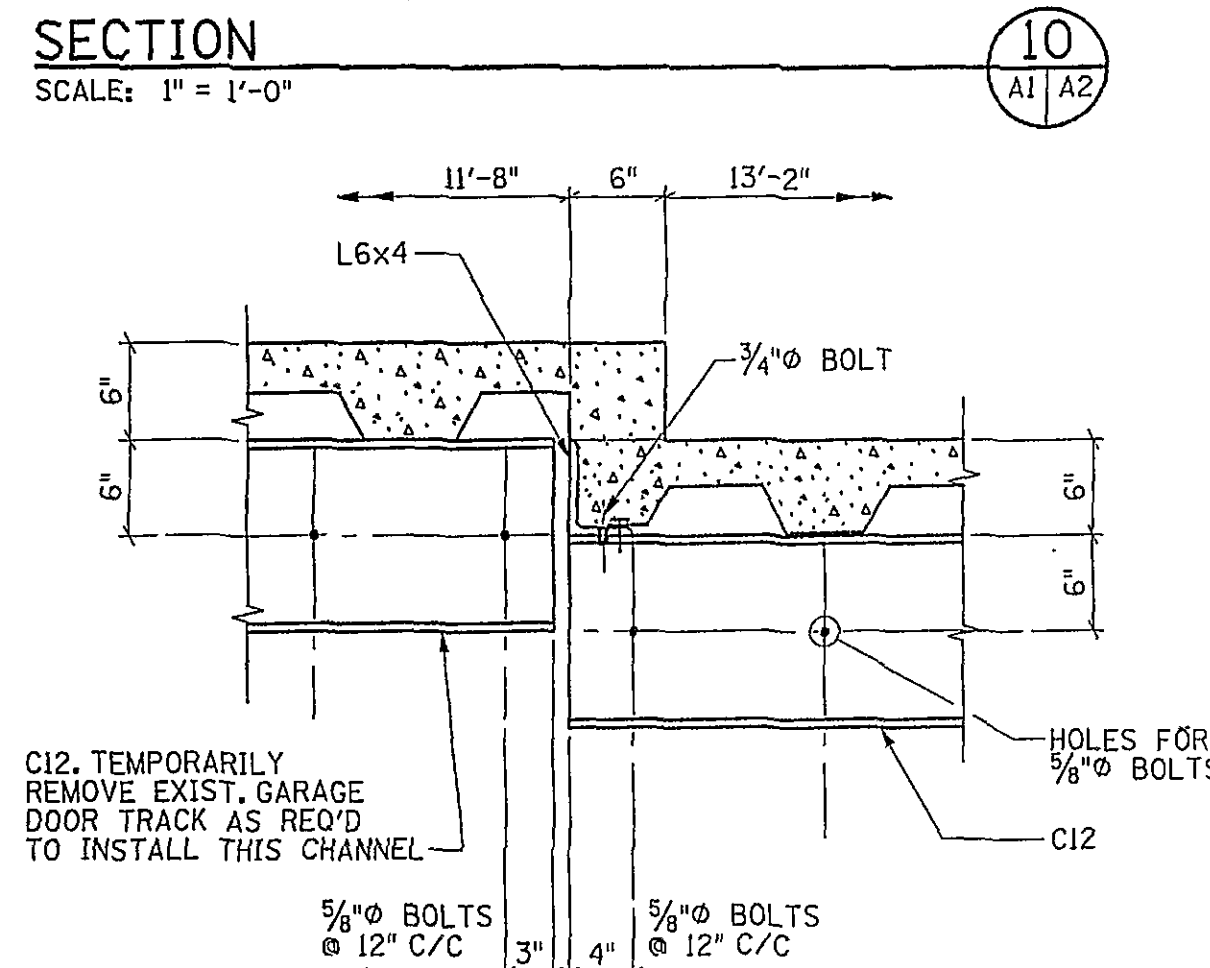
7  
A2 | A2



**SECTION**

SCALE: 1" = 1'-0"

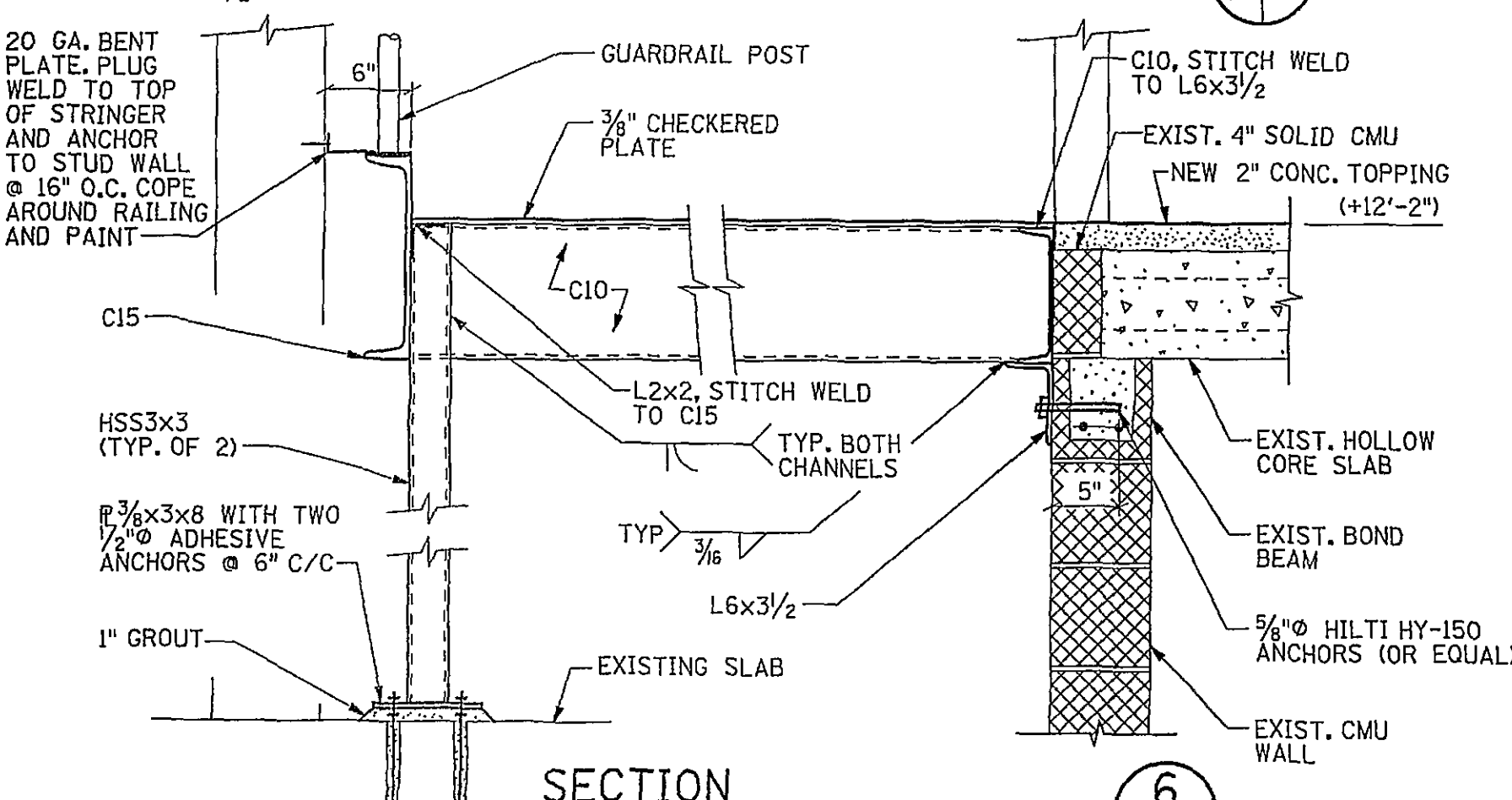
8  
A2 | A2



**SECTION**

SCALE: 1" = 1'-0"

11  
A2 | A2



**SECTION**

SCALE: 1" = 1'-0"

6  
A2 | A2

IF THIS DRAWING IS A REDUCTION, GRAPHIC SCALE MUST BE USED.

5' 0 5'

1/4" = 1'-0"

12" 0 1' 2' 3' 4'

1/2" = 1'-0"

12" 9" 6" 3" 0 1' 2'

1" = 1'-0"

NO.	DATE	BY	APP.	DESCRIPTION



**Wiley & Wilson**  
ARCHITECTS ENGINEERS PLANNERS  
An Employee-Owned Company

2310 LANGHORNE ROAD  
LYNCHBURG, VIRGINIA 24501  
(804) 947-1901

DESIGNED: JRM  
DRAWN: CSE/JLM  
CHECKED: JRM  
COMM. NO.: 204079.00  
CADD NO.: 204079A2.DGN  
DATE: MAY 28, 2004

PROJECT: CRYSTAL SPRING WATER TREATMENT PLANT BUILDING MODIFICATION DESIGN  
CITY OF ROANOKE, VIRGINIA  
REFERENCE: ARCHITECTURAL  
TITLE: CROSS SECTION & DETAILS  
DWG. NO.: A-2  
SHEET NO.: 3 OF 10  
REV.: 0