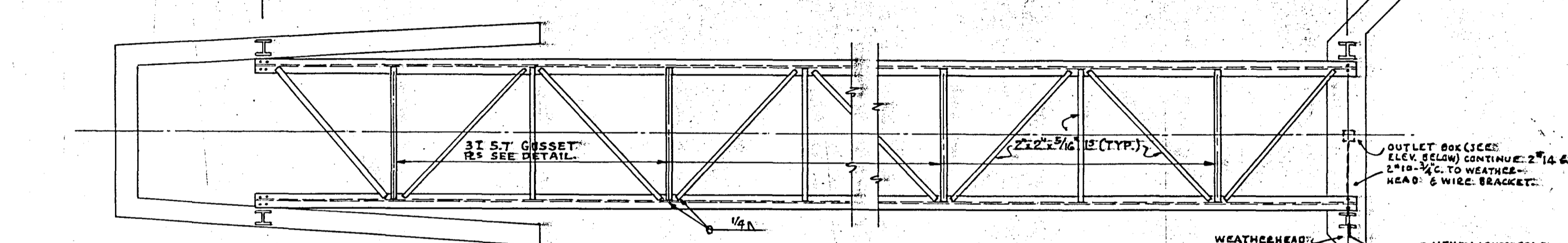
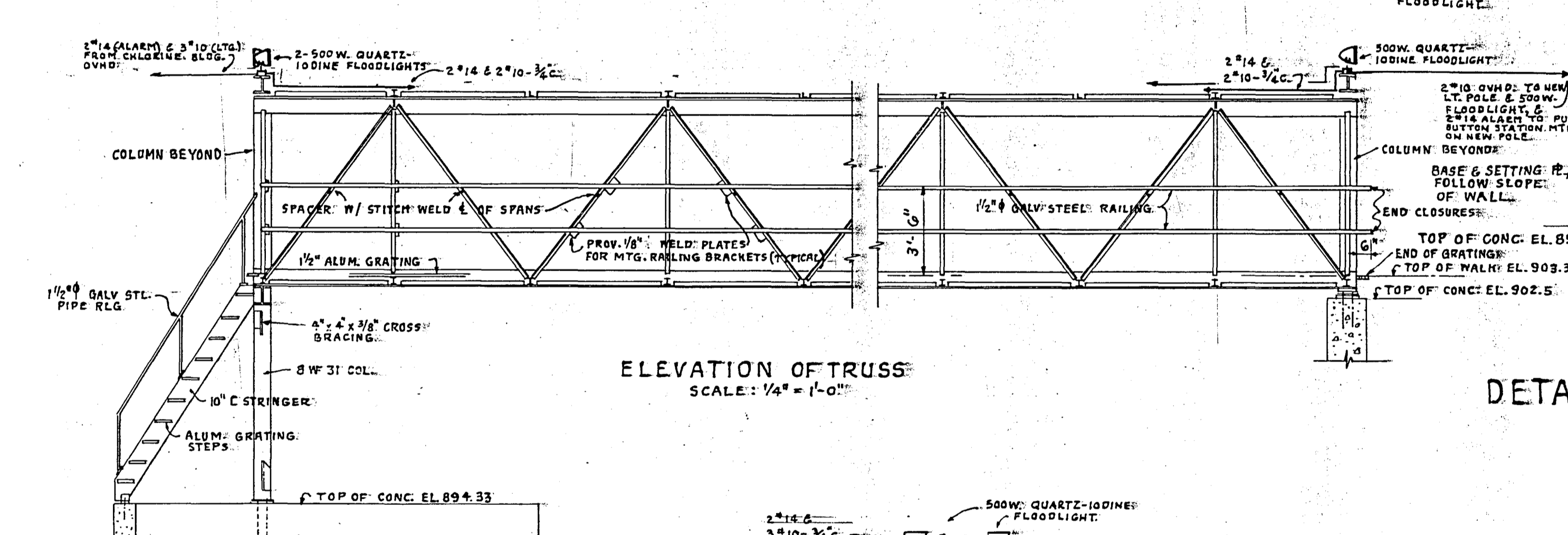


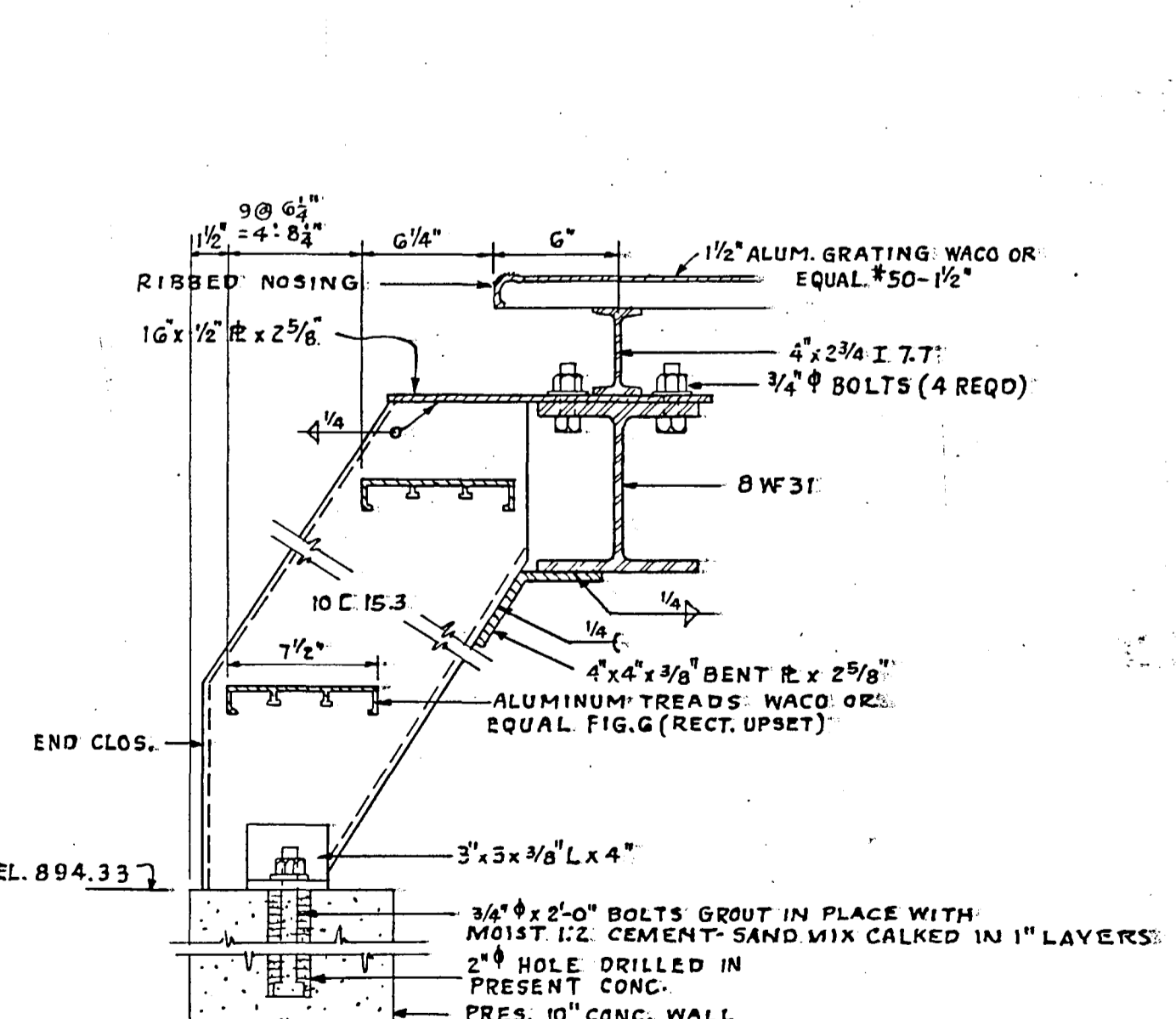
PLAN OF BOTTOM CHORDS FRAMING
SCALE: 1/4" = 1'-0"



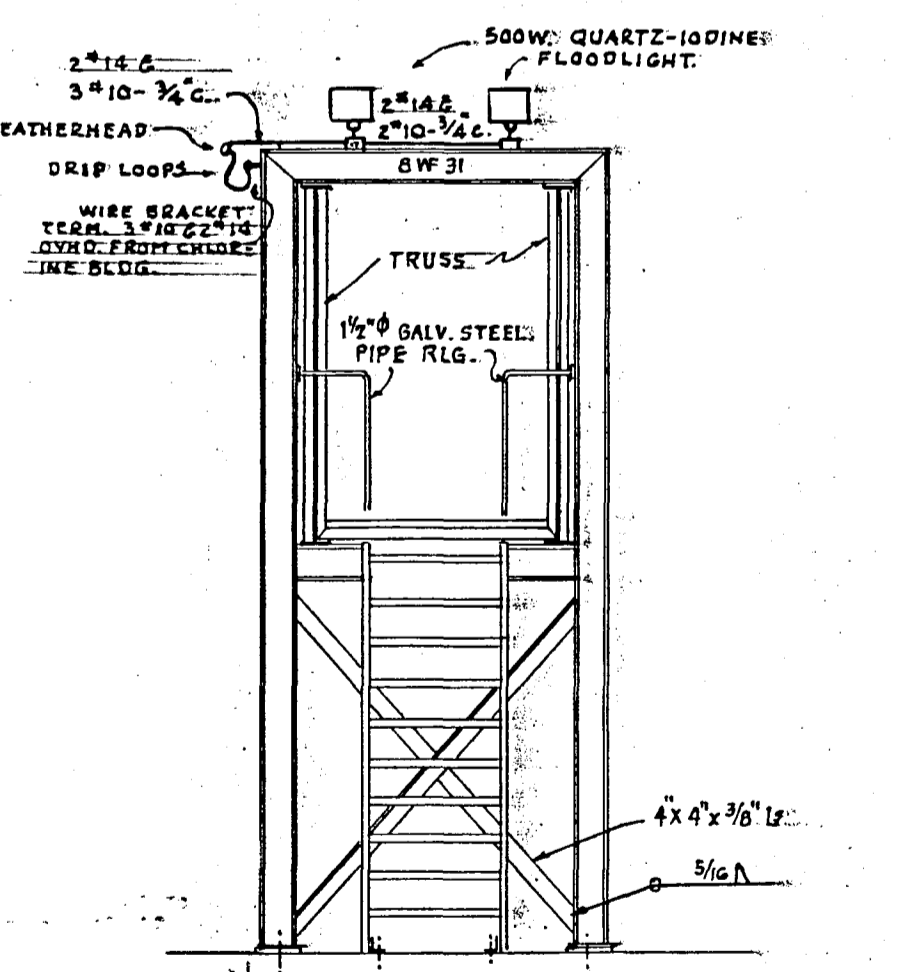
PLAN OF TOP CHORDS FRAMING
SCALE: 1/4" = 1'-0"



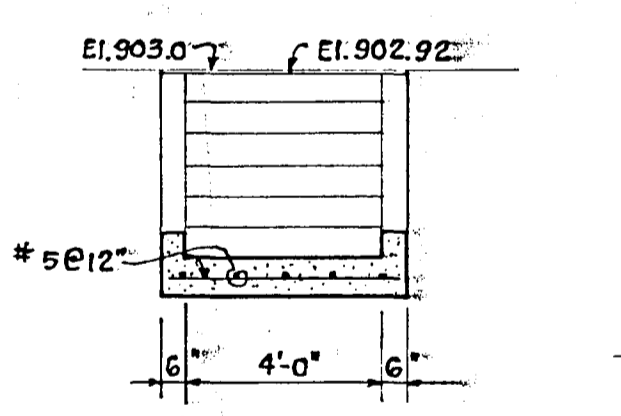
ELEVATION OF TRUSS
SCALE: 1/4" = 1'-0"



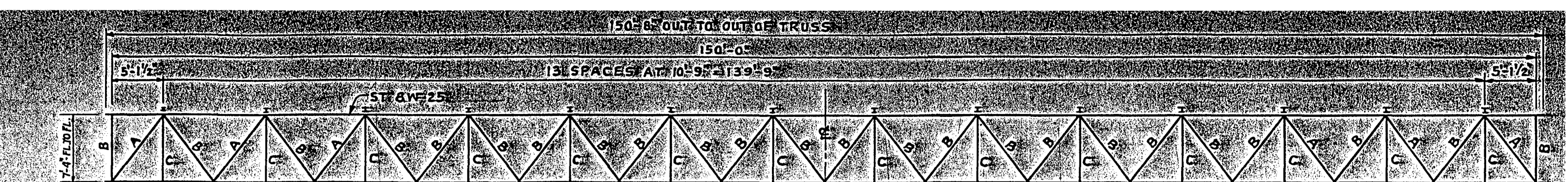
DETAIL AT STAIR
SCALE: 1/2" = 1'-0"



END ELEVATION AT STAIR
SCALE: 1/4" = 1'-0"



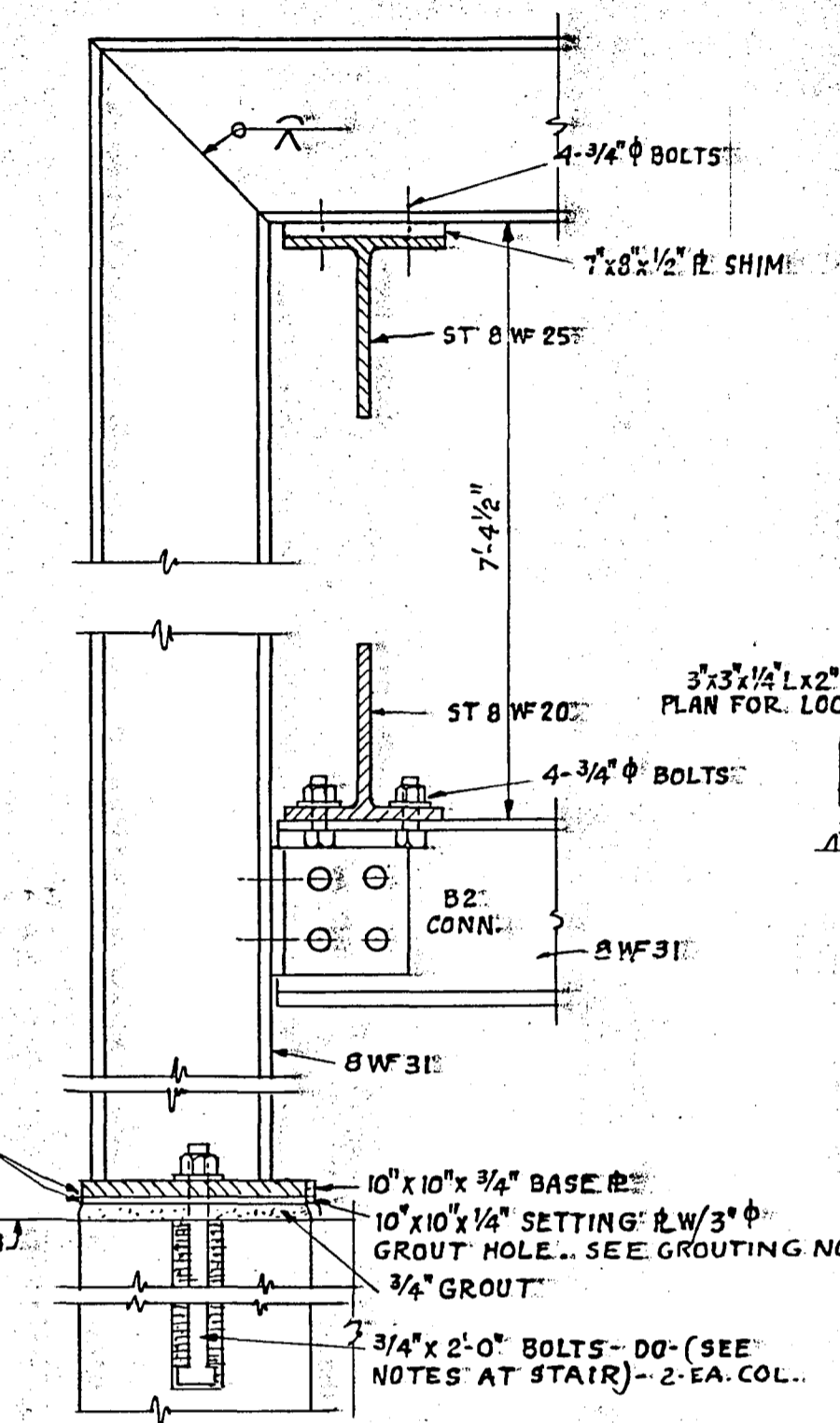
STAIR DETAIL AT CHLORINE BUILDING
SCALE: 1/4" = 1'-0"



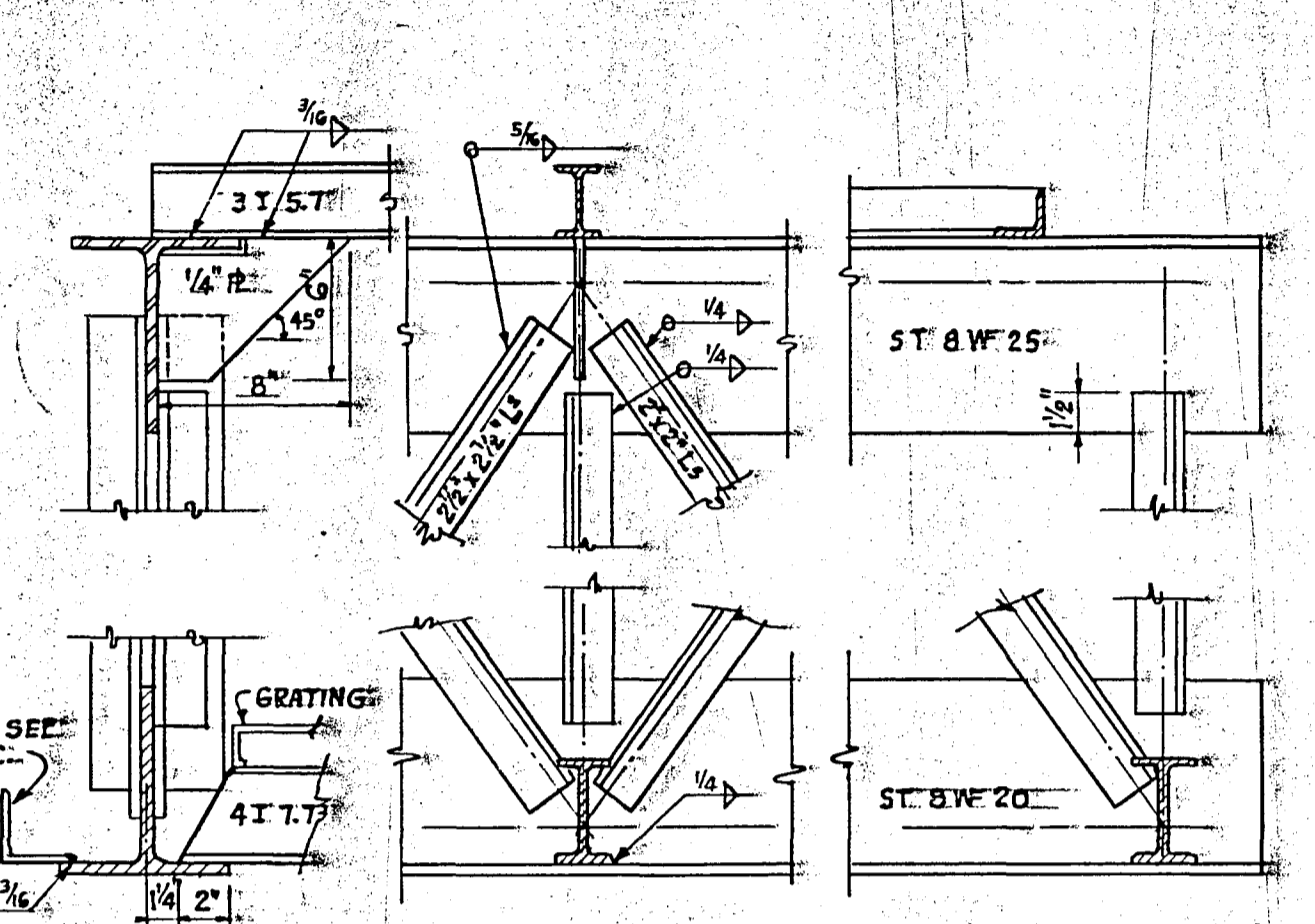
DIAGRAMMATIC ELEVATION OF TRUSS
SCALE: 1" = 10'-0"

NOTE: TRUSS TO BE FABRICATED WITH 6" CAMBERS. SPLICES IF REQUIRED TO BE DESIGNED BY THE FABRICATOR, SUBJECT TO APPROVAL BY THE ENGINEER. NO SPLICES PERMITTED IN THE CENTER 1/3 OF SPAN.

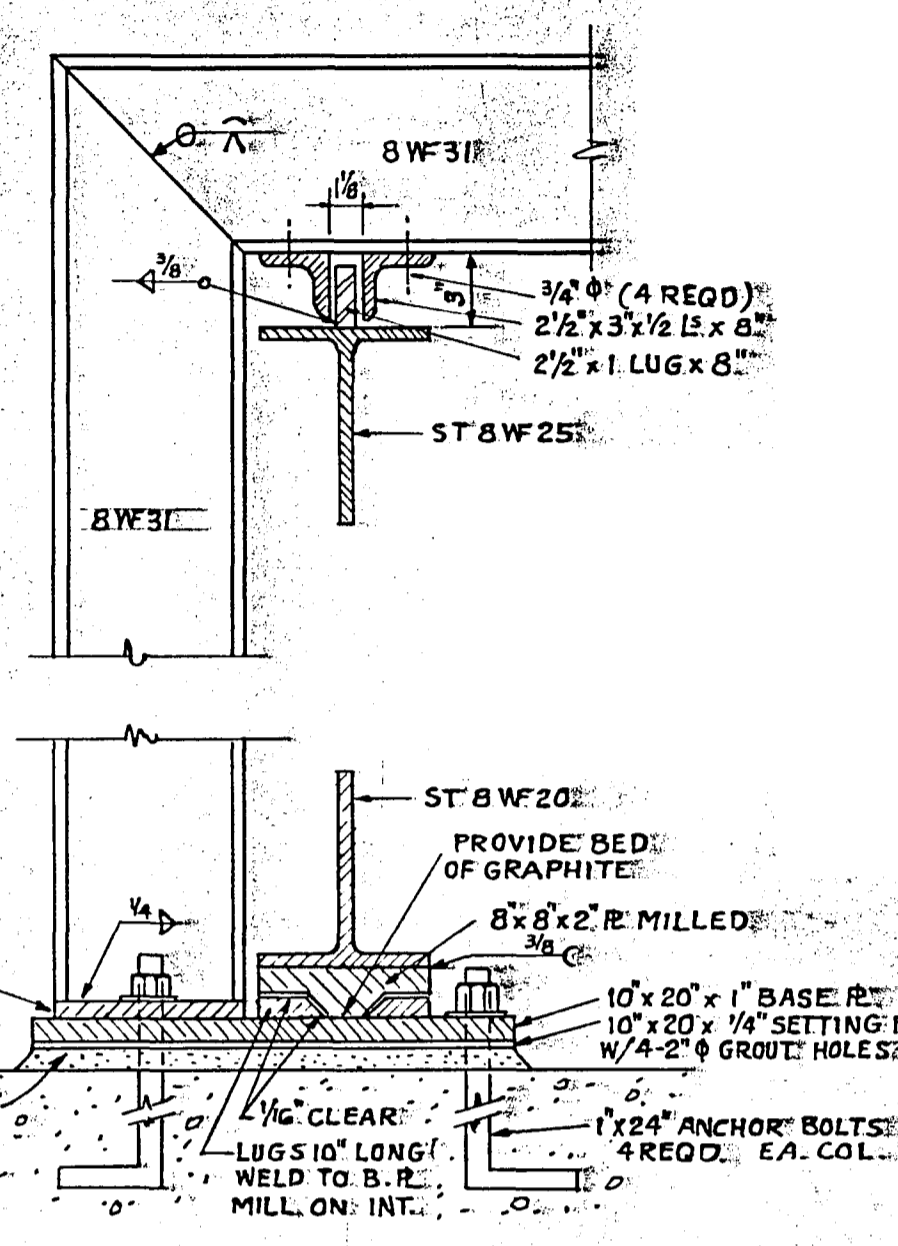
KEY:
A - 2 LB. 2 1/2" x 2 1/2" x 3/16"
B - 2 LB. 2" x 2" x 5/16"
C - 1 LB. 2" x 2" x 5/16"



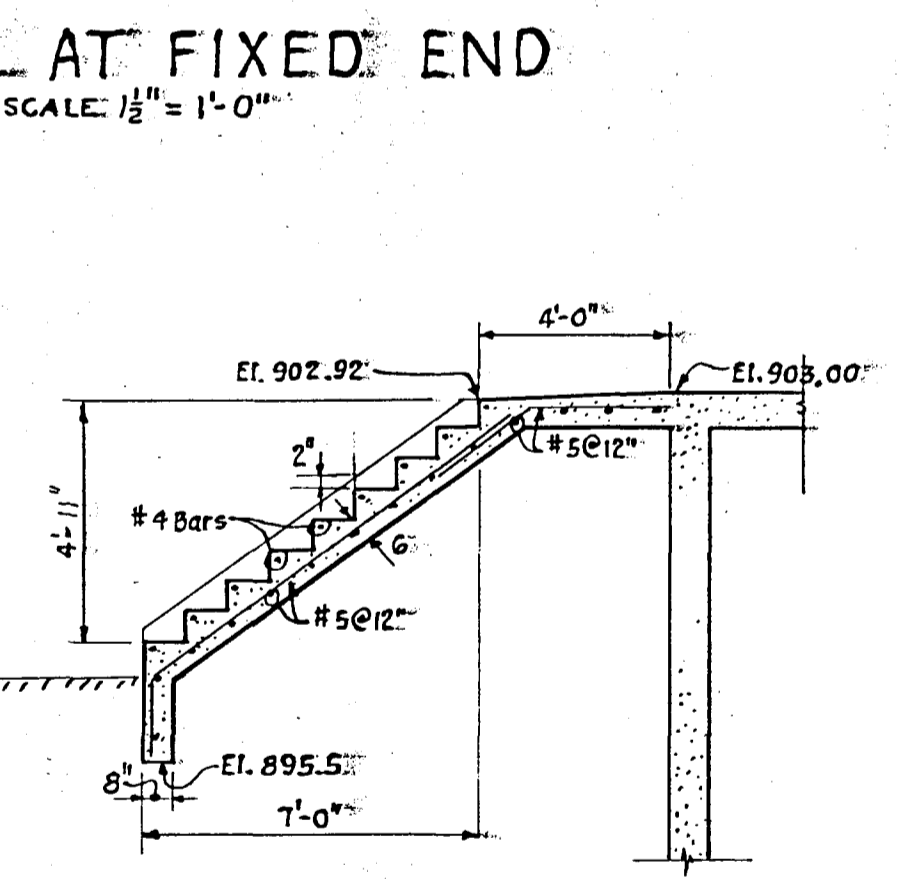
DETAIL AT FIXED END
SCALE: 1/2" = 1'-0"



TYPICAL TRUSS DETAILS
SCALE: 1/2" = 1'-0"



DETAIL OF BRIDGE AT FREE END
SCALE: 1/2" = 1'-0"



F.A. INTAKE METAL LOUVER DETAIL
SCALE: 1/2" = 1'-0"

6



SEWAGE TREATMENT PLANT ADDITIONS
BRIDGE & MISC. DETAILS
CITY OF ROANOKE,
VIRGINIA
ALVORD, BURDICK & HOWSON
ENGINEERS CHICAGO
1965
12/17/1966