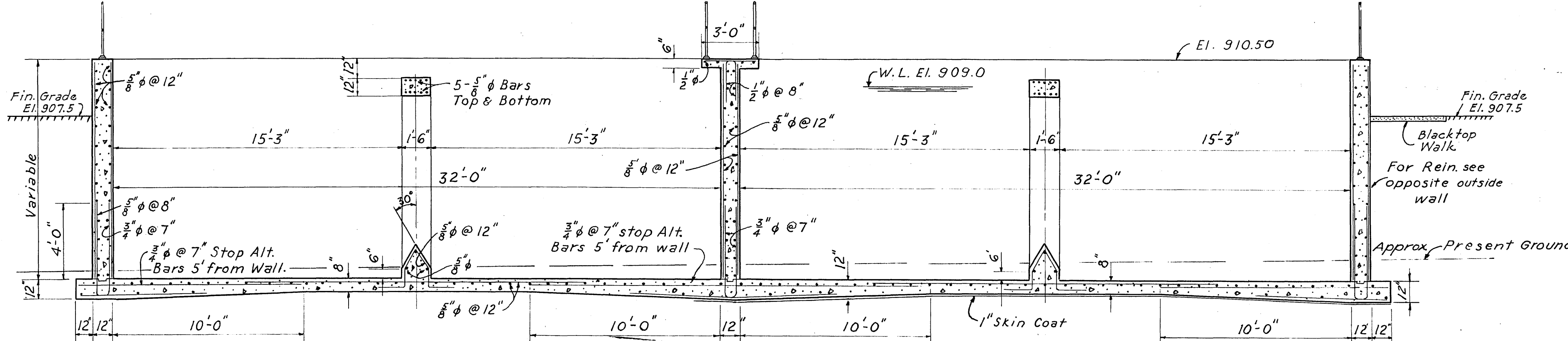


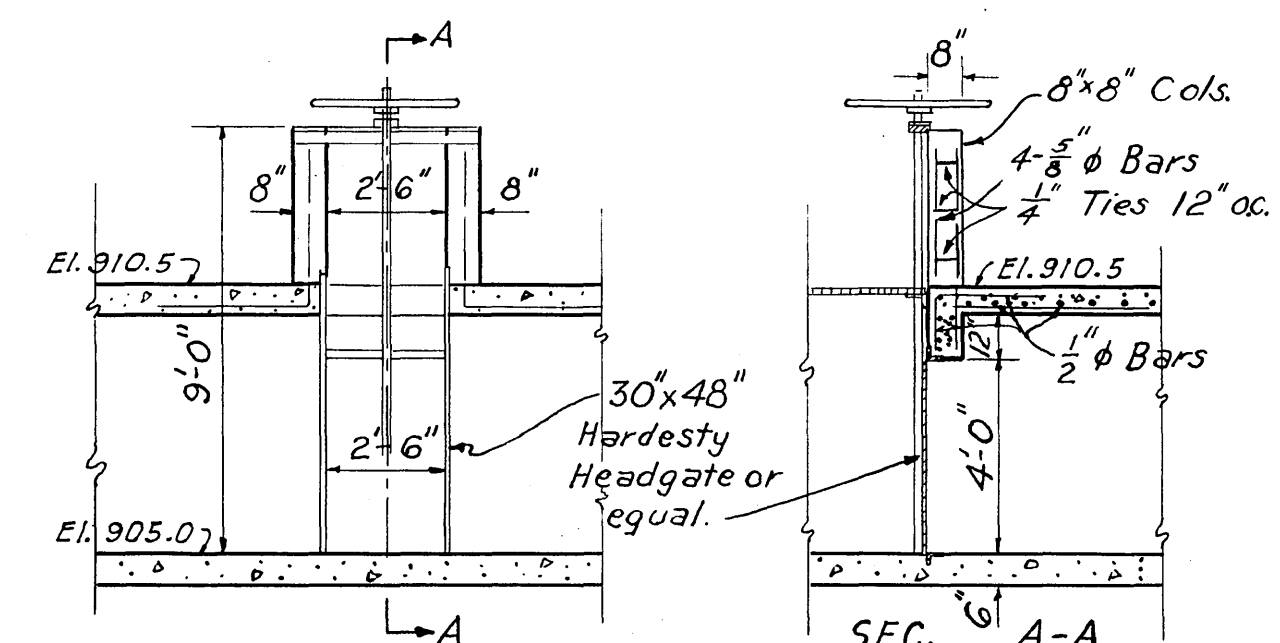
SECTION A-A
Scale: 1/4" = 1'-0"

SECTION B-B
Scale: 1/4" = 1'-0"

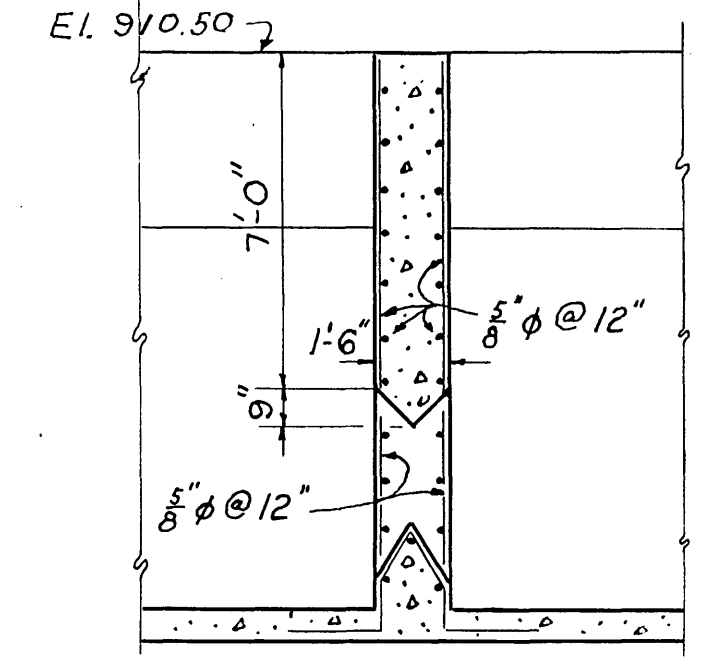
SECTION C-C
Scale: 1/4" = 1'-0"



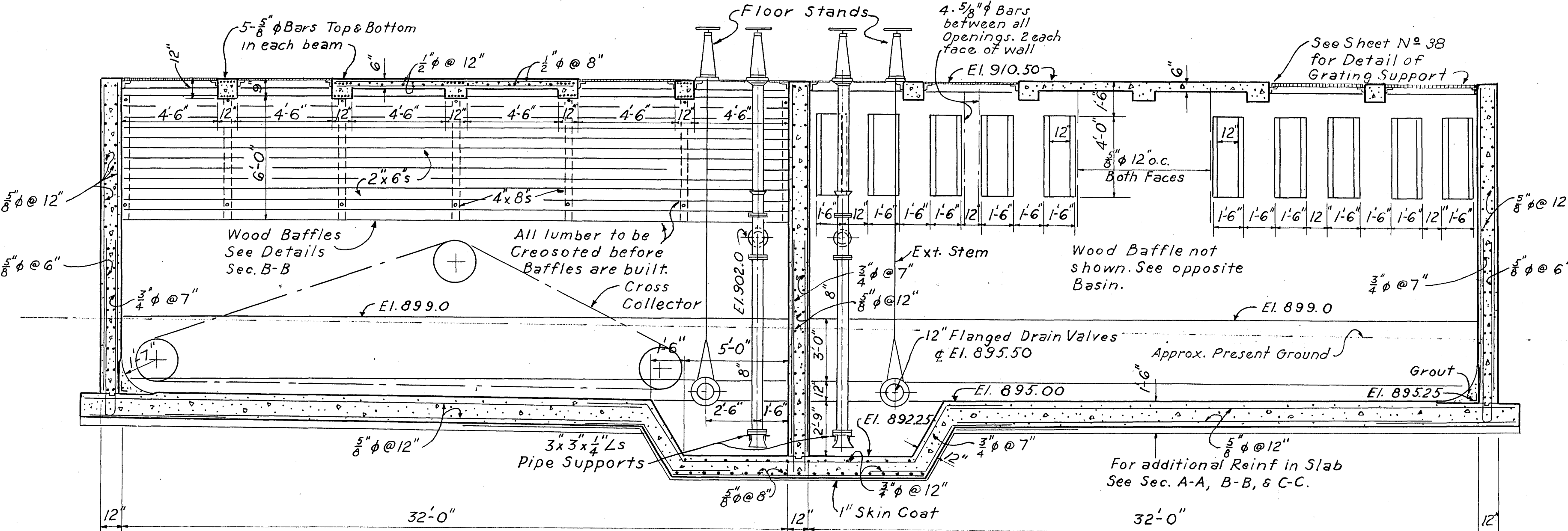
SECTION D-D
Scale: 1/4" = 1'-0"



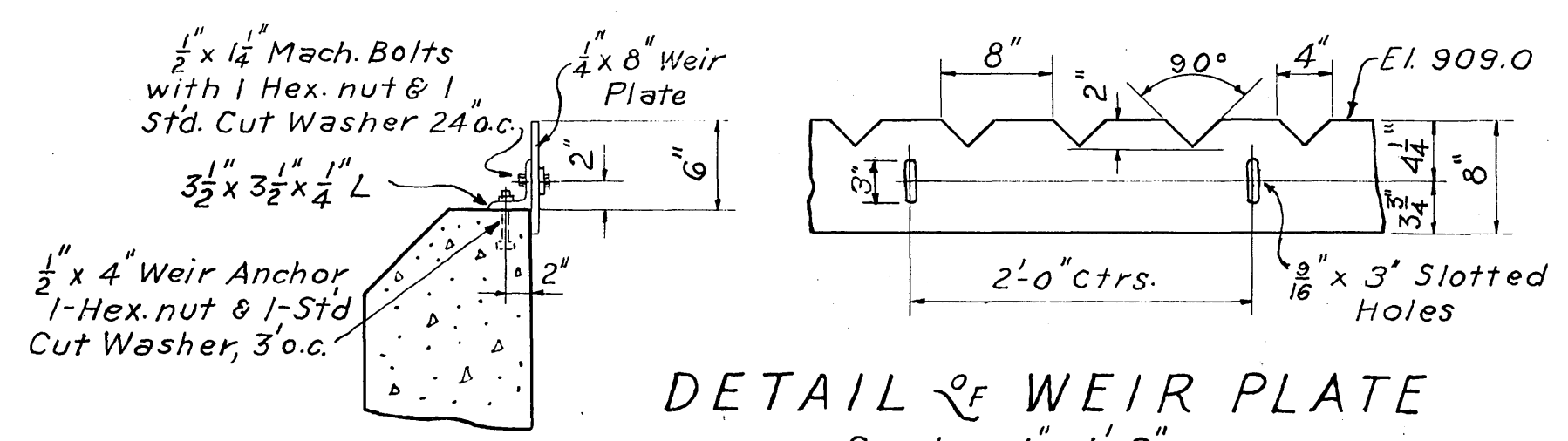
DETAIL OF GATE TO INFLUENT CHANNEL
Scale: 1/4" = 1'-0"



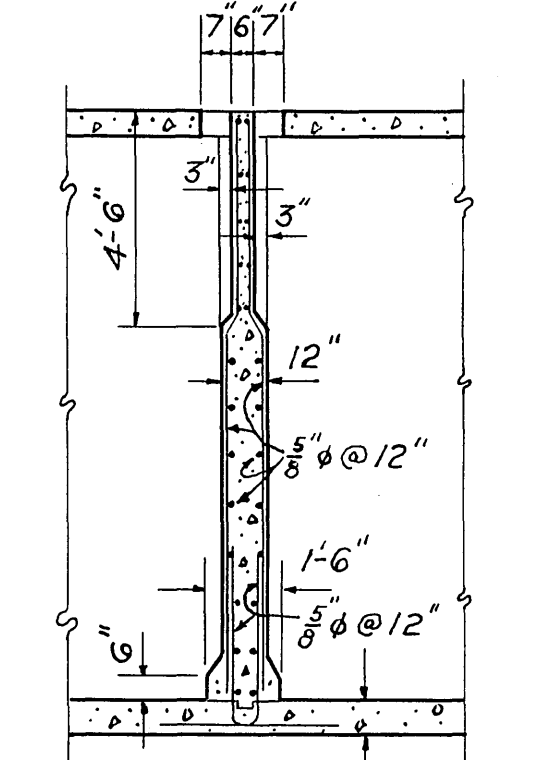
SECTION G-G
Scale: 1/4" = 1'-0"



SECTION E-E
Scale: 1/4" = 1'-0"



DETAIL OF WEIR PLATE
Scale: 1" = 1'-0"



SECTION F-F
Scale: 1/4" = 1'-0"

Note: For location of Sections in plan, See Sheet No. 29

SANITARY SEWER PROJECT No. 3-1950

ALVORD, BURDICK & HOWSON | MATTERN & MATTERN
ENGINEERS
CHICAGO, ILL. ROANOKE, VA.

SEWAGE TREATMENT PLANT
CITY OF ROANOKE, VIRGINIA
PRIMARY SETTLING BASIN
CONCRETE DETAILS

DESIGNED	SCALE AS SHOWN	CON. NO.
DRAWN G.J.R.	DATE AUGUST, 1950	SHEET NO. 30
CHECKED G.J.R.		