

BALZER
AND ASSOCIATES, INC.
B.V.N.E.C.

REFLECTING TOMORROW
www.balzer.cc
PLANNERS • ARCHITECTS
ENGINEERS • SURVEYORS

1208 Corporate Circle
Roanoke, Virginia 24018
Phone: 540/772-9580
FAX: 540/772-8050

501 Branchwood Road
Richmond, Virginia 23298
Phone: 804/794-0571
FAX: 804/794-2635

880 Technology Park Drive
Suite 200
Glen Allen, Virginia 23059
Phone: 804/653-0123
FAX: 804/653-0133

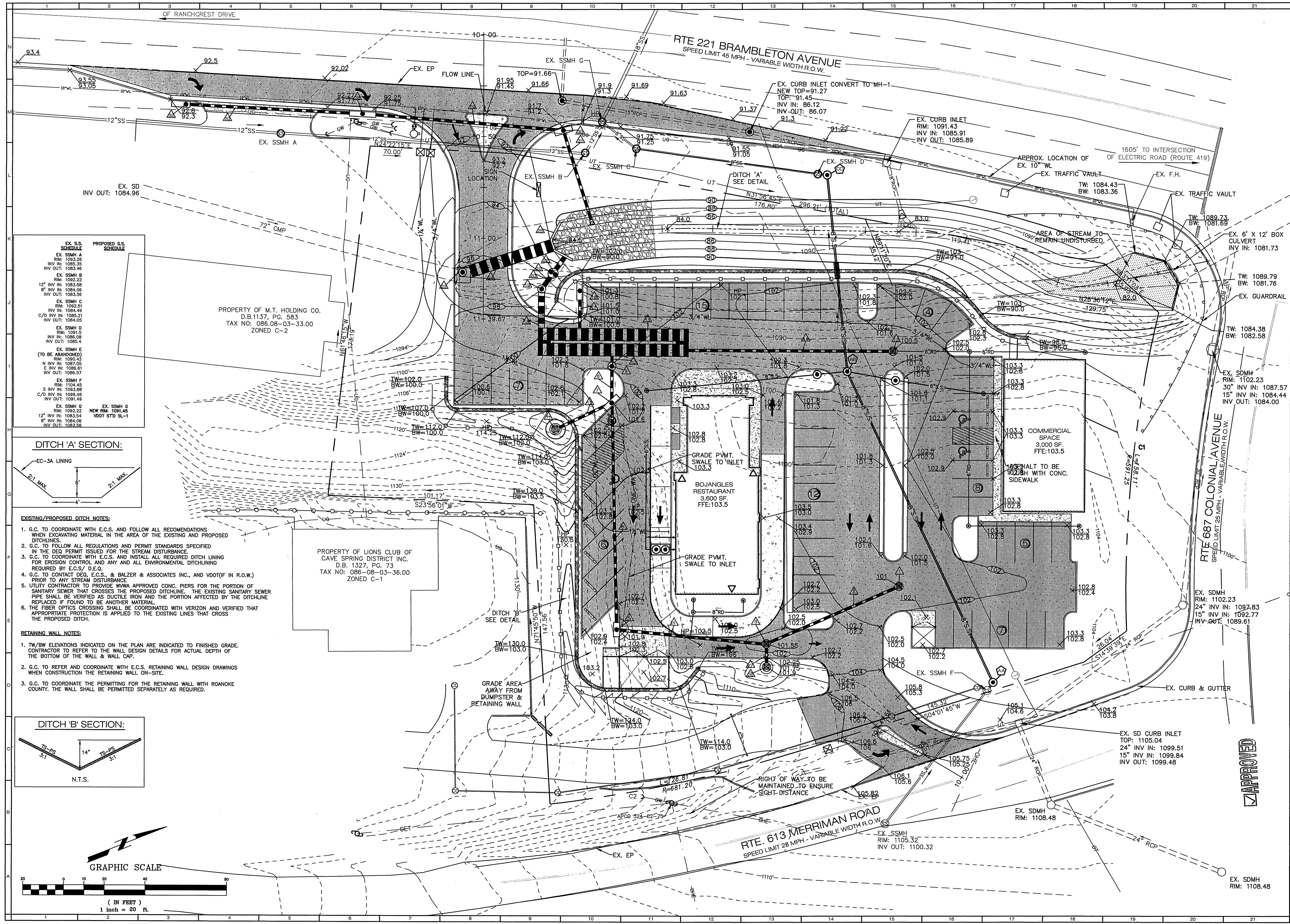
448 Peppers Ferry Road, NW
Charlottesville, Virginia 24079
Phone: 540/881-4299
FAX: 540/881-4291

1561 Commerce Road
Suite 401
Vernon, Virginia 24462
Phone: 540/248-3220
FAX: 540/248-3221

BOJANGLES - BRAMBLETON
GRADING PLAN
CAVE SPRING
COUNTY OF ROANOKE, VIRGINIA

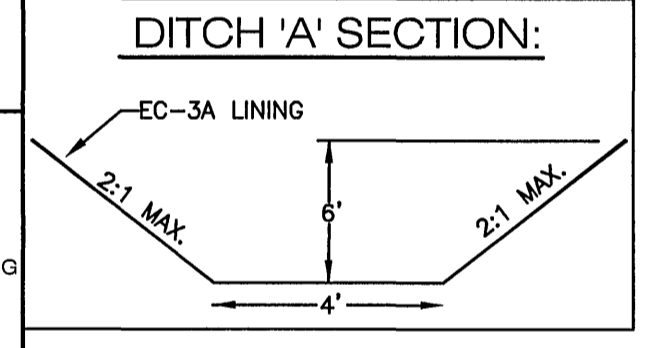
DRAWN BY: BTC
DESIGNED BY: BTC
CHECKED BY: RIS
DATE: 11-26-07
REVISIONS:
1-9-08
2-27-08
3-11-08

SCALE: 1"=20'
SHEET NO.
C-6
JOB NO.
R0700128.00



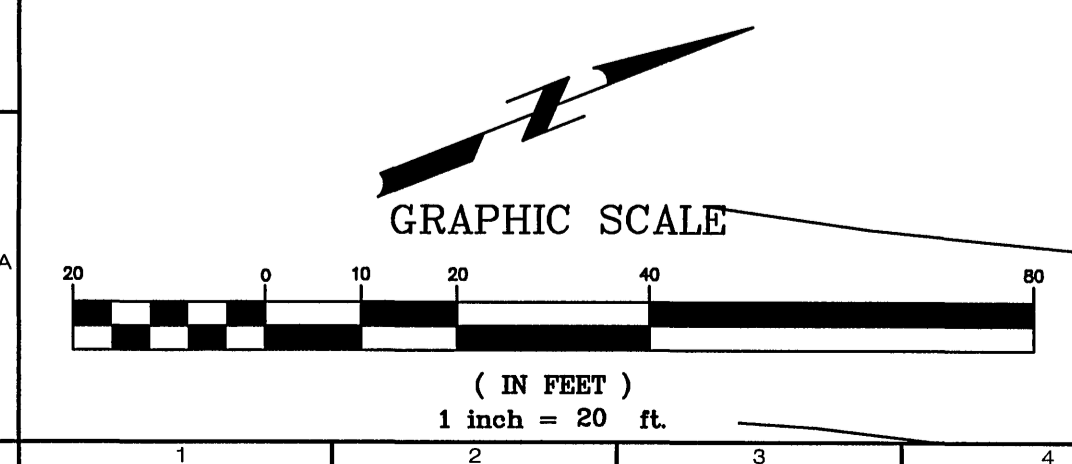
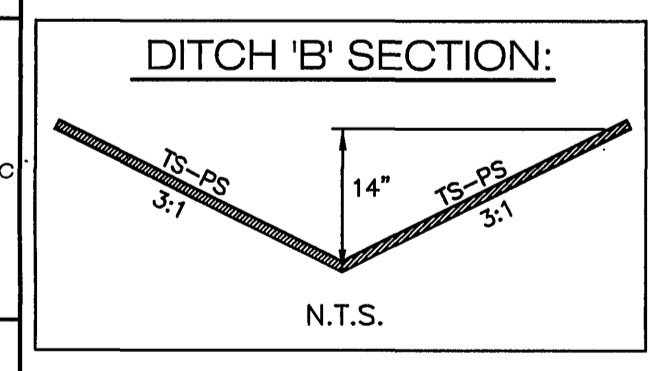
EXISTING/PROPOSED S.S. SCHEDULE

EXISTING S.S.	PROPOSED S.S.
EX. SSMH A RIM: 1093.25 INV IN: 1083.35 INV OUT: 1083.46	EX. SSMH A RIM: 1093.25 INV IN: 1083.35 INV OUT: 1083.46
EX. SSMH B RIM: 1092.22 12" INV IN: 1083.58 6" INV IN: 1084.06 INV OUT: 1083.56	EX. SSMH B RIM: 1092.22 12" INV IN: 1083.58 6" INV IN: 1084.06 INV OUT: 1083.56
EX. SSMH C RIM: 1092.51 INV IN: 1084.49 C/O INV IN: 1085.21 INV OUT: 1084.03	EX. SSMH C RIM: 1092.51 INV IN: 1084.49 C/O INV IN: 1085.21 INV OUT: 1084.03
EX. SSMH D RIM: 1091.5 INV IN: 1086.06 INV OUT: 1085.57	EX. SSMH D RIM: 1091.5 INV IN: 1086.06 INV OUT: 1085.57
EX. SSMH E (TO BE ABANDONED) RIM: 1090.42 N INV IN: 1081.09 E INV IN: 1086.61 INV OUT: 1085.57	EX. SSMH E (TO BE ABANDONED) RIM: 1090.42 N INV IN: 1081.09 E INV IN: 1086.61 INV OUT: 1085.57
EX. SSMH F RIM: 1104.45 S INV IN: 1093.88 C/O INV IN: 1098.48 INV OUT: 1091.49	EX. SSMH F RIM: 1104.45 S INV IN: 1093.88 C/O INV IN: 1098.48 INV OUT: 1091.49
EX. SSMH G RIM: 1092.22 12" INV IN: 1083.54 6" INV IN: 1084.06 INV OUT: 1083.56	EX. SSMH G RIM: 1092.22 12" INV IN: 1083.54 6" INV IN: 1084.06 INV OUT: 1083.56
EX. SSMH H RIM: 1091.45 NEW RIM: 1091.45 VDDT STD SL-1	EX. SSMH H RIM: 1091.45 NEW RIM: 1091.45 VDDT STD SL-1



- EXISTING/PROPOSED DITCH NOTES:**
- G.C. TO COORDINATE WITH E.C.S. AND FOLLOW ALL RECOMMENDATIONS WHEN EXCAVATING MATERIAL IN THE AREA OF THE EXISTING AND PROPOSED DITCHLINES.
 - G.C. TO FOLLOW ALL REGULATIONS AND PERMIT STANDARDS SPECIFIED IN THE DEQ PERMIT ISSUED FOR THE STREAM DISTURBANCE.
 - G.C. TO COORDINATE WITH E.C.S. AND INSTALL ALL REQUIRED DITCH LINING FOR EROSION CONTROL AND ANY AND ALL ENVIRONMENTAL DITCHLINING REQUIRED BY E.C.S./ D.E.Q.
 - G.C. TO CONTACT DEQ, E.C.S., & BALZER & ASSOCIATES INC., AND VDDT(F IN R.O.W.) PRIOR TO ANY STREAM DISTURBANCE.
 - UTILITY CONTRACTOR TO PROVIDE WWA APPROVED CONC. PIERS FOR THE PORTION OF SANITARY SEWER THAT CROSSES THE PROPOSED DITCHLINE. THE EXISTING SANITARY SEWER PIPE SHALL BE VERIFIED AS DUCTILE IRON AND THE PORTION AFFECTED BY THE DITCHLINE REPLACED IF FOUND TO BE ANOTHER MATERIAL.
 - THE FIBER OPTICS CROSSING SHALL BE COORDINATED WITH VERIZON AND VERIFIED THAT APPROPRIATE PROTECTION IS APPLIED TO THE EXISTING LINES THAT CROSS THE PROPOSED DITCH.

- RETAINING WALL NOTES:**
- TW/BW ELEVATIONS INDICATED ON THE PLAN ARE INDICATED TO FINISHED GRADE. CONTRACTOR TO REFER TO THE WALL DESIGN DETAILS FOR ACTUAL DEPTH OF THE BOTTOM OF THE WALL & WALL CAP.
 - G.C. TO REFER AND COORDINATE WITH E.C.S. RETAINING WALL DESIGN DRAWINGS WHEN CONSTRUCTION THE RETAINING WALL ON-SITE.
 - G.C. TO COORDINATE THE PERMITTING FOR THE RETAINING WALL WITH ROANOKE COUNTY. THE WALL SHALL BE PERMITTED SEPARATELY AS REQUIRED.



APPROVED