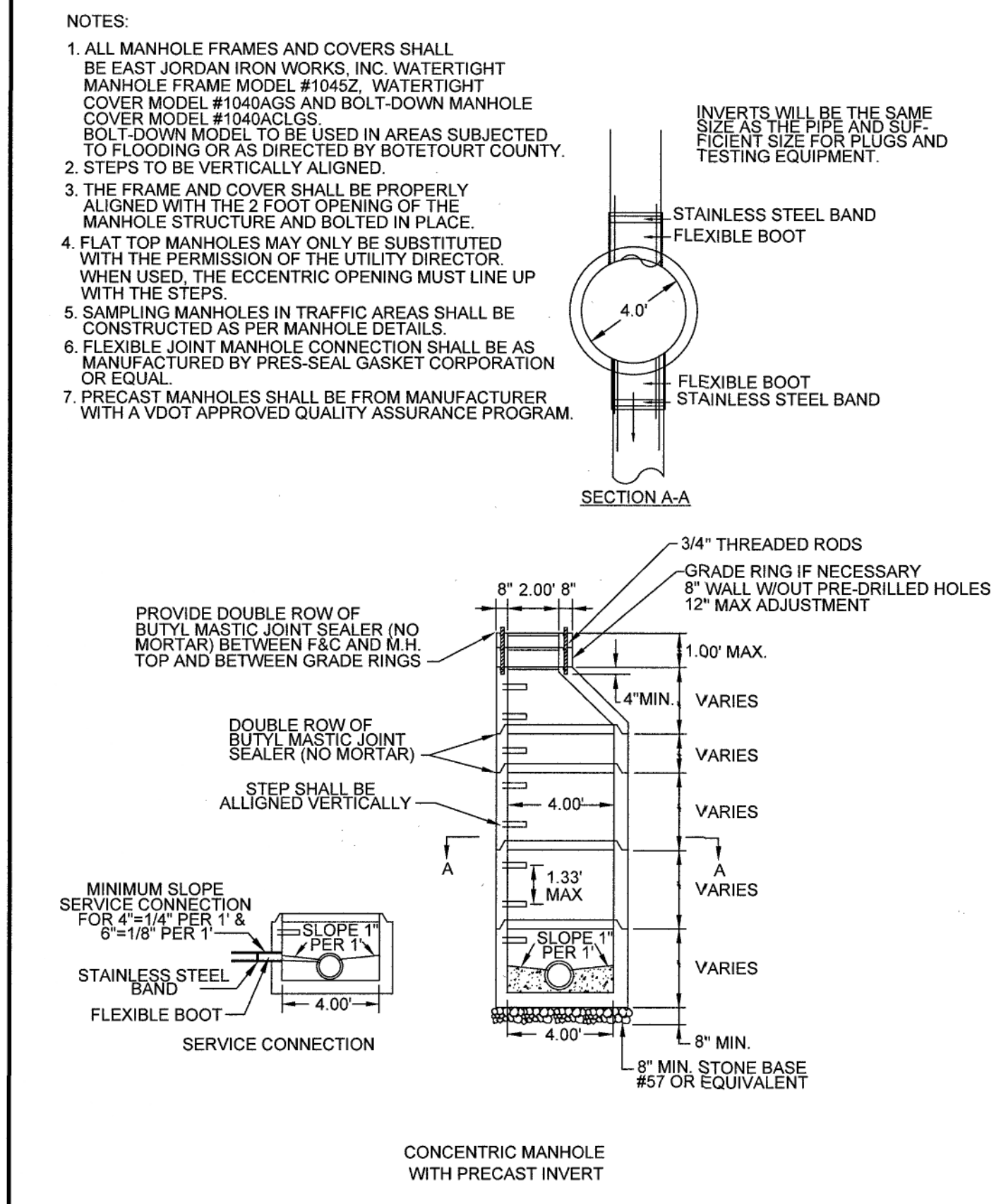
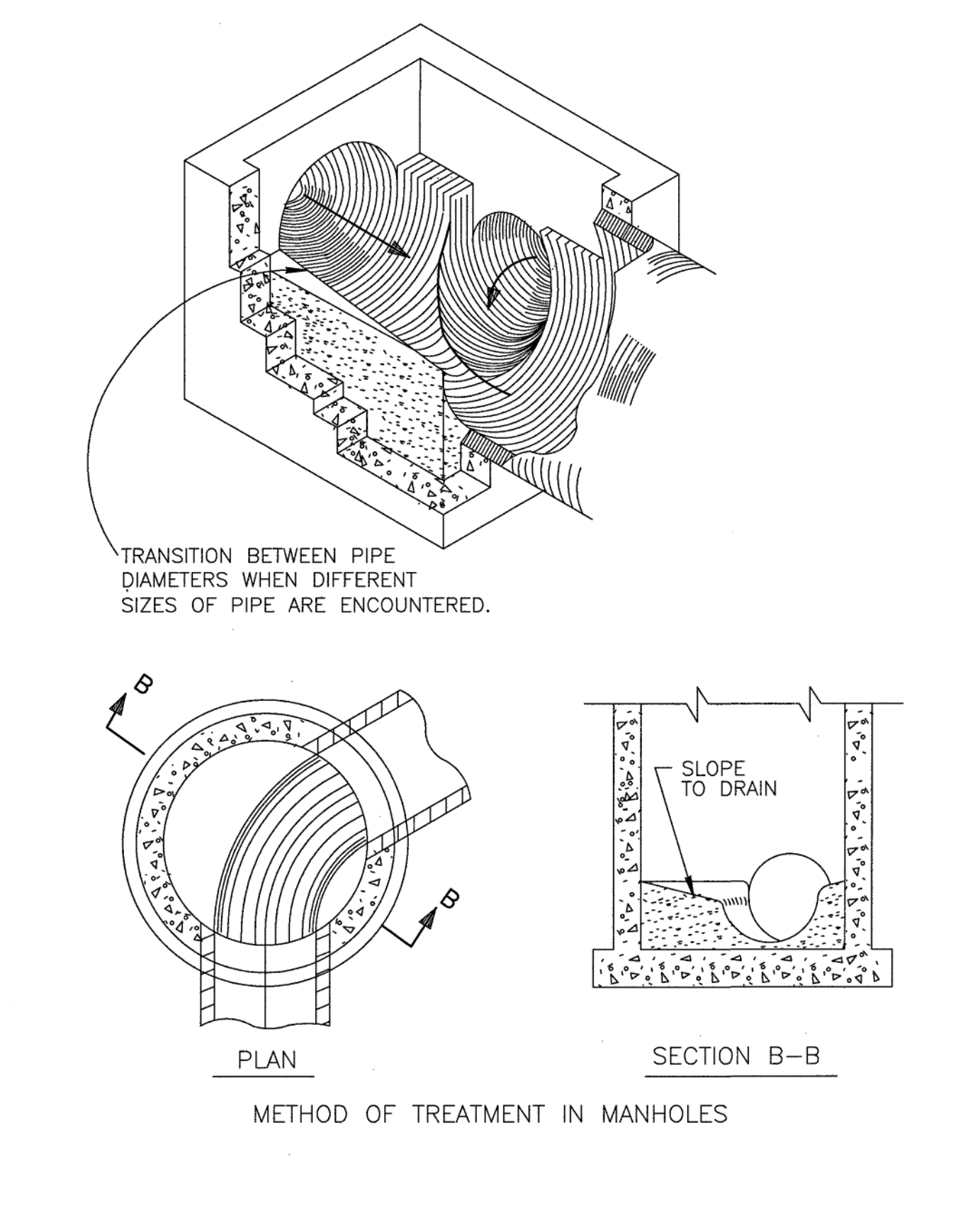
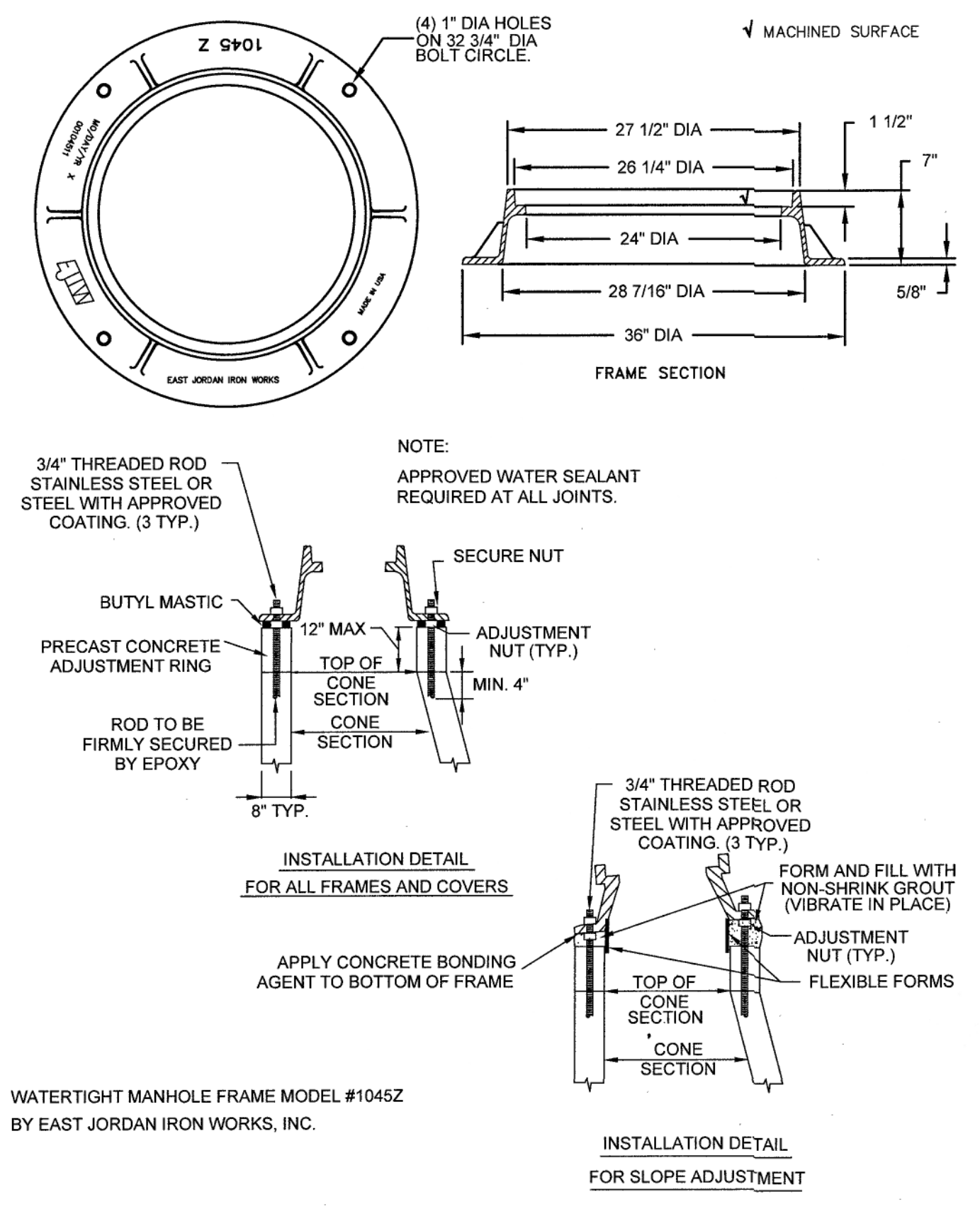
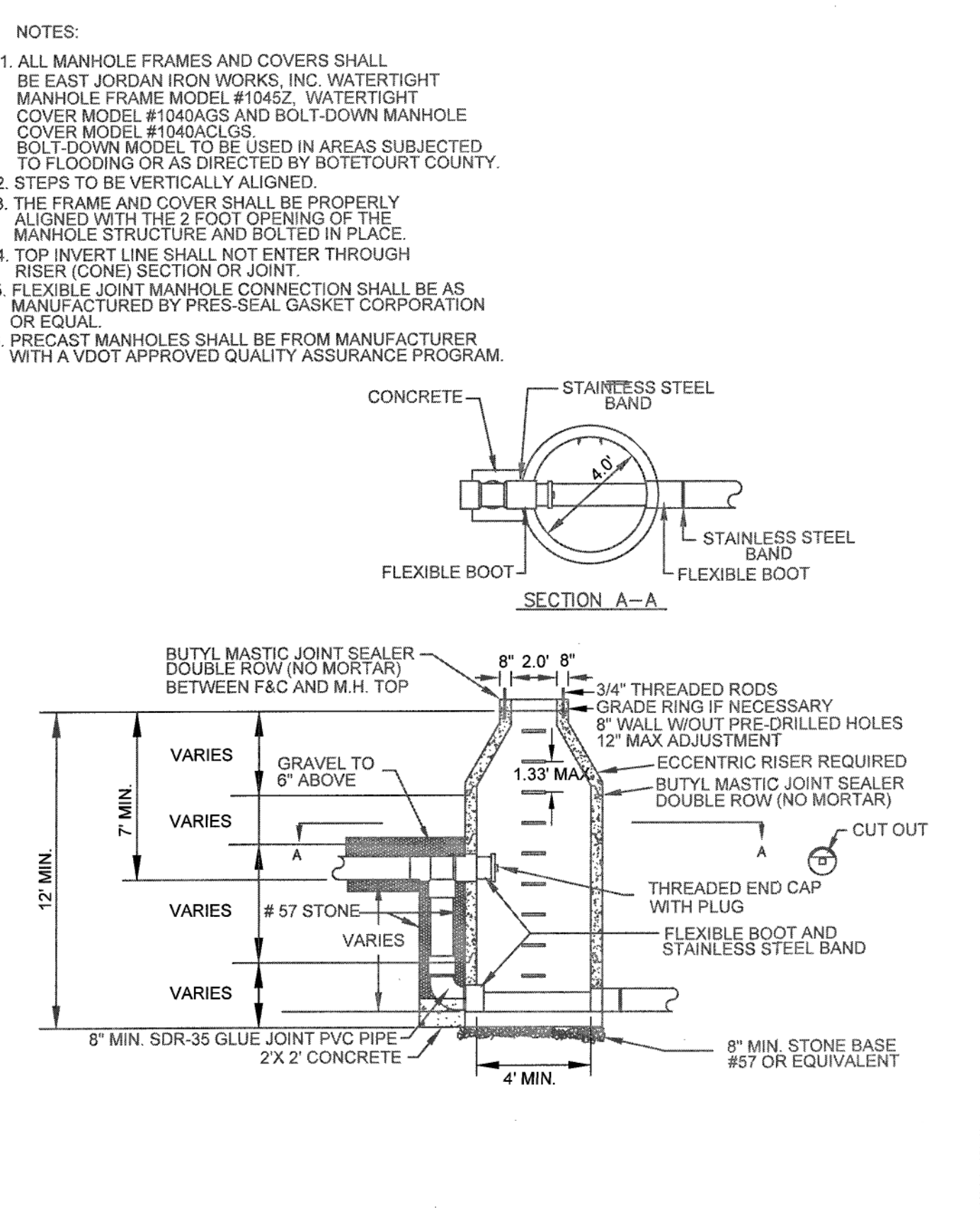


Revisions By	Date
1-SWR RVSN	10/7/14

INTEGRITY ENGINEERING
 463 White Oak Drive
 Blue Ridge, VA 24064
 Ph: (540) 537-2390
 Email: integrityengpc@gmail.com

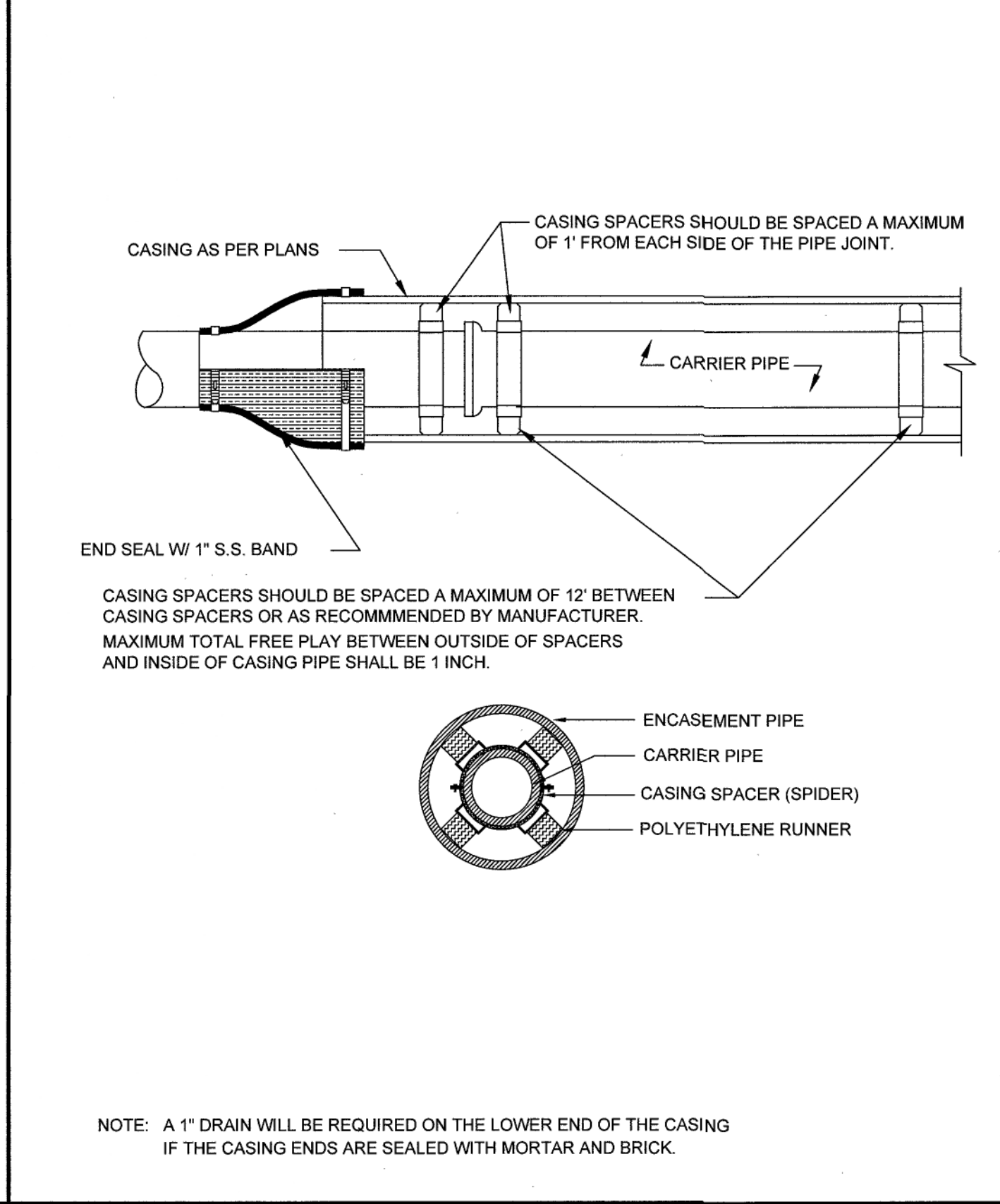
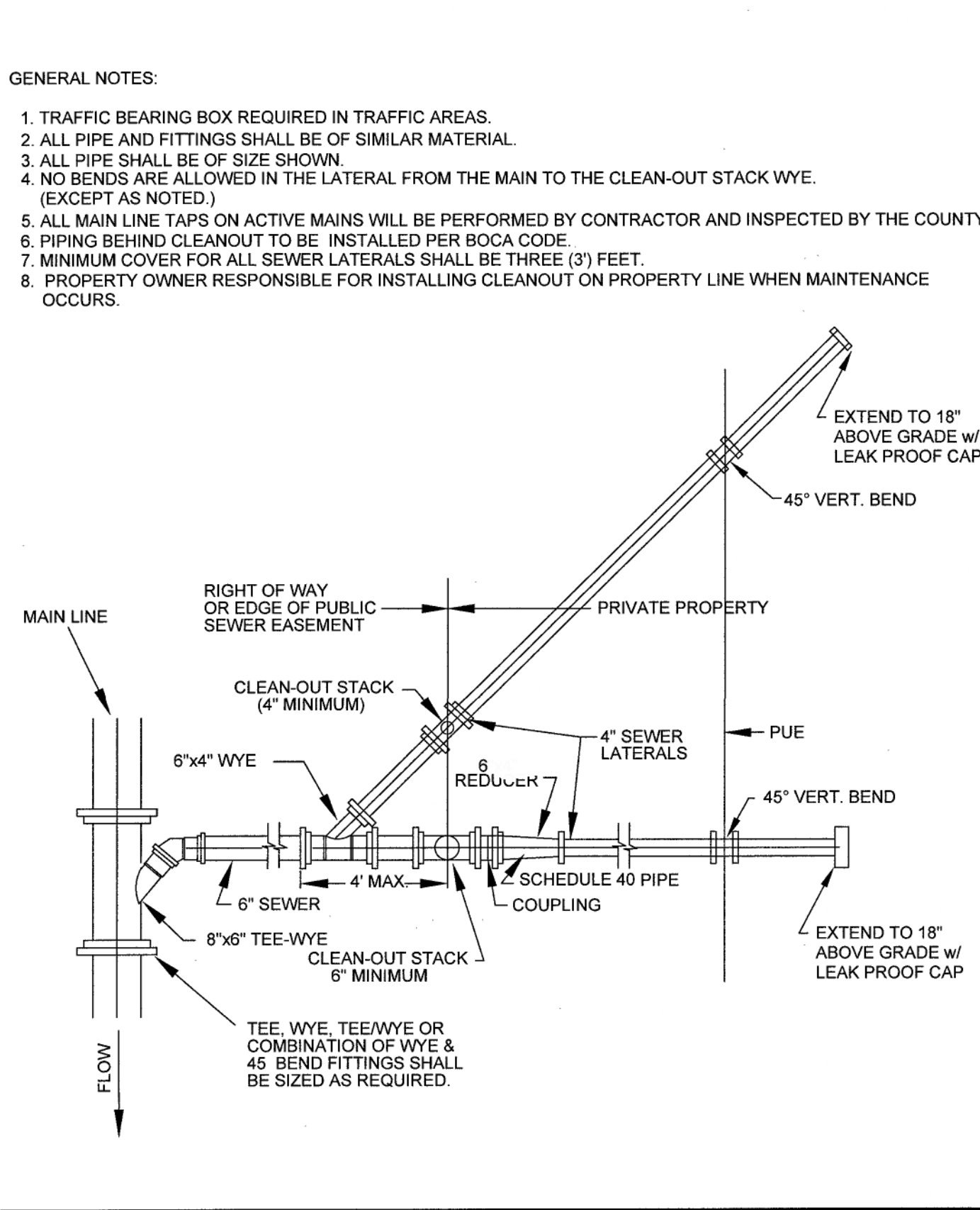
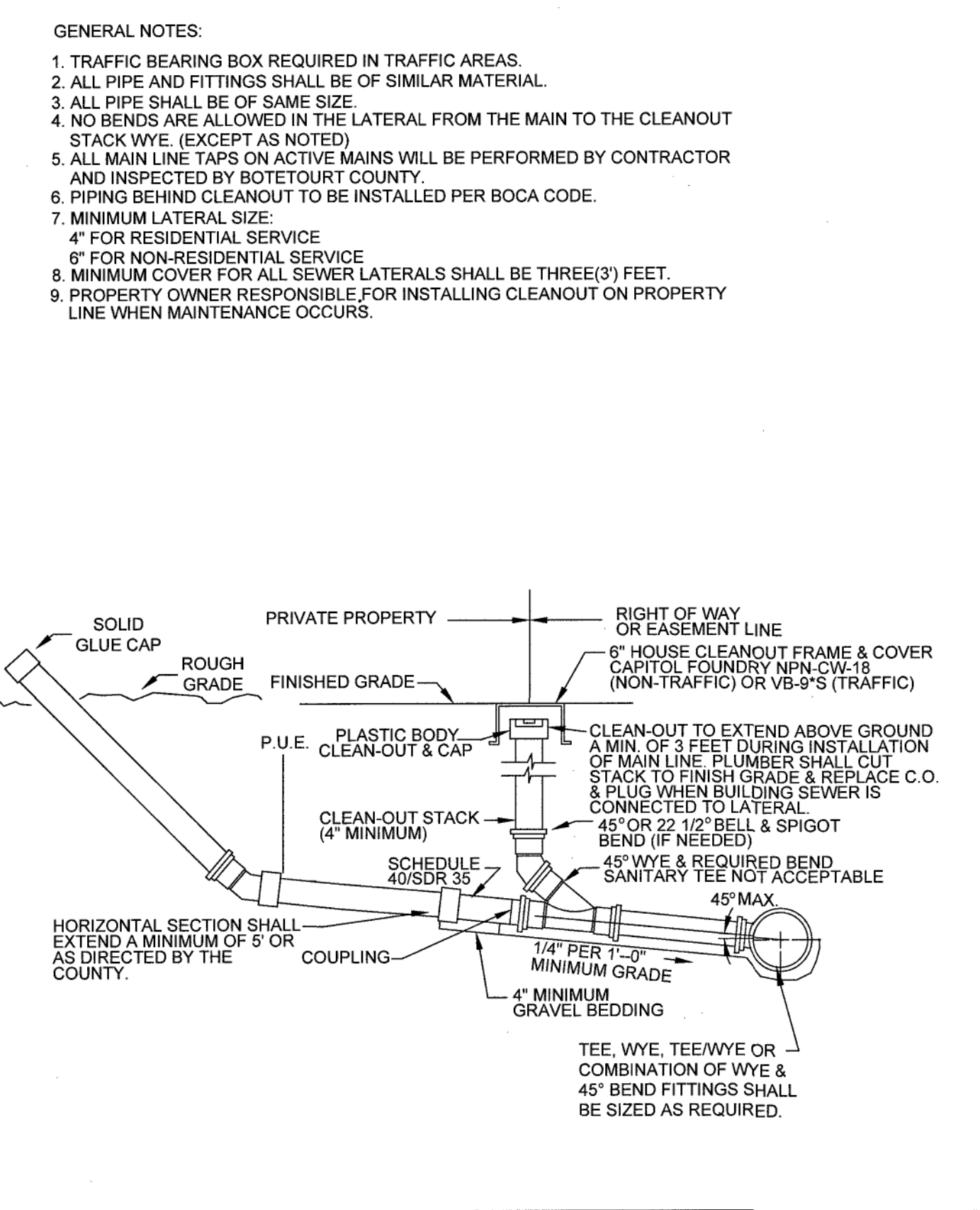
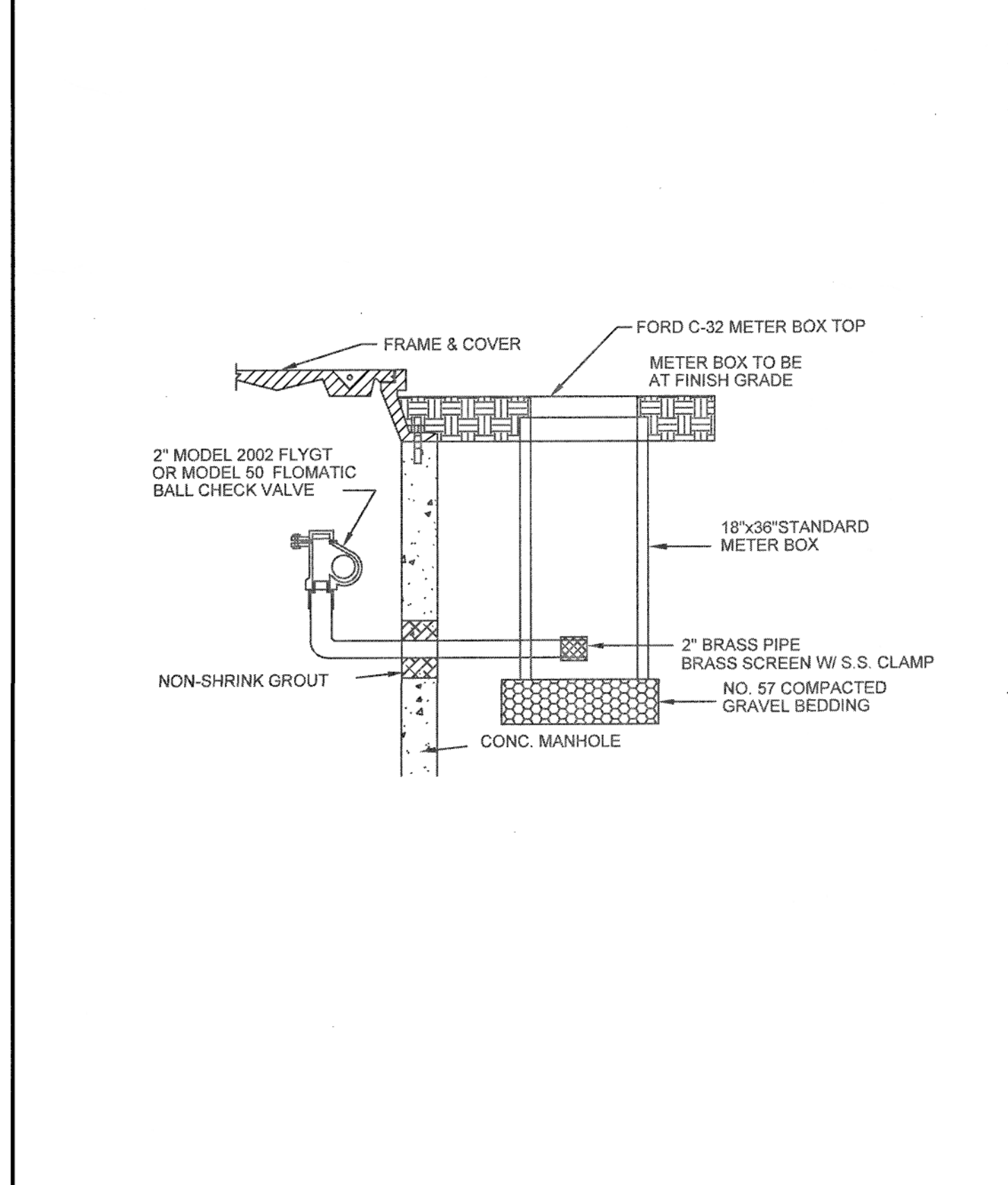


	BOTETOURT COUNTY PUBLIC FACILITIES & PROGRAMS	CONSTRUCTION STANDARDS	DATE: MARCH 2005	BC #
	10 WEST BACK STREET, NUMBER 4 FINCASTLE, VA 24090 Ph: 540-473-8316 F: 540-473-8360	MAINLINE OR LATERAL OUTSIDE DROP MANHOLE (FOR USE WITH PVC PIPE)	REVISIONS	SS-03

	BOTETOURT COUNTY PUBLIC FACILITIES & PROGRAMS	CONSTRUCTION STANDARDS	DATE: MARCH 2005	BC #
	10 WEST BACK STREET, NUMBER 4 FINCASTLE, VA 24090 Ph: 540-473-8316 F: 540-473-8360	WATERTIGHT MANHOLE FRAME	REVISIONS	SS-05

	BOTETOURT COUNTY PUBLIC FACILITIES & PROGRAMS	CONSTRUCTION STANDARDS	DATE: JULY 2008	BC #
	10 WEST BACK STREET, NUMBER 4 FINCASTLE, VA 24090 Ph: 540-473-8316 F: 540-473-8360	MANHOLE INVERT SHAPING	REVISIONS	SS-31

	BOTETOURT COUNTY PUBLIC FACILITIES & PROGRAMS	CONSTRUCTION STANDARDS	DATE: MARCH 2005	BC #
	10 WEST BACK STREET, NUMBER 4 FINCASTLE, VA 24090 Ph: 540-473-8316 F: 540-473-8360	4ft STANDARD MANHOLE FOR PIPES 15" AND SMALLER	REVISIONS	SS-01



	BOTETOURT COUNTY PUBLIC FACILITIES & PROGRAMS	CONSTRUCTION STANDARDS	DATE: MARCH 2005	BC #
	10 WEST BACK STREET, NUMBER 4 FINCASTLE, VA 24090 Ph: 540-473-8316 F: 540-473-8360	TYPE 2 MANHOLE VENT	REVISIONS	SS-21

	BOTETOURT COUNTY PUBLIC FACILITIES & PROGRAMS	CONSTRUCTION STANDARDS	DATE: MARCH 2005	BC #
	10 WEST BACK STREET, NUMBER 4 FINCASTLE, VA 24090 Ph: 540-473-8316 F: 540-473-8360	SANITARY SEWER LATERAL	REVISIONS	SS-08

	BOTETOURT COUNTY PUBLIC FACILITIES & PROGRAMS	CONSTRUCTION STANDARDS	DATE: MARCH 2005	BC #
	10 WEST BACK STREET, NUMBER 4 FINCASTLE, VA 24090 Ph: 540-473-8316 F: 540-473-8360	COMBINED 6" BY TWO 4" SANITARY SEWER LATERALS	REVISIONS	SS-11

	BOTETOURT COUNTY PUBLIC FACILITIES & PROGRAMS	CONSTRUCTION STANDARDS	DATE: MARCH 2005	BC #
	10 WEST BACK STREET, NUMBER 4 FINCASTLE, VA 24090 Ph: 540-473-8316 F: 540-473-8360	ROAD CROSSING DETAIL PIPE SUPPORT IN CASING PIPE	REVISIONS	SS-19

SANITARY SEWER DETAILS
 PHASE 1 - EX. MH37 - PVT. RD.3
 COTTAGES OF STEEPLECHASE
 BOTETOURT COUNTY, VIRGINIA

Scale: H:1"=50' V:1"=5'
 Date: 8/13/14
 Design By: SCG
 CAD By: SCG
 Checked By:
 Project No.: 12052

Sheet No. **C11**