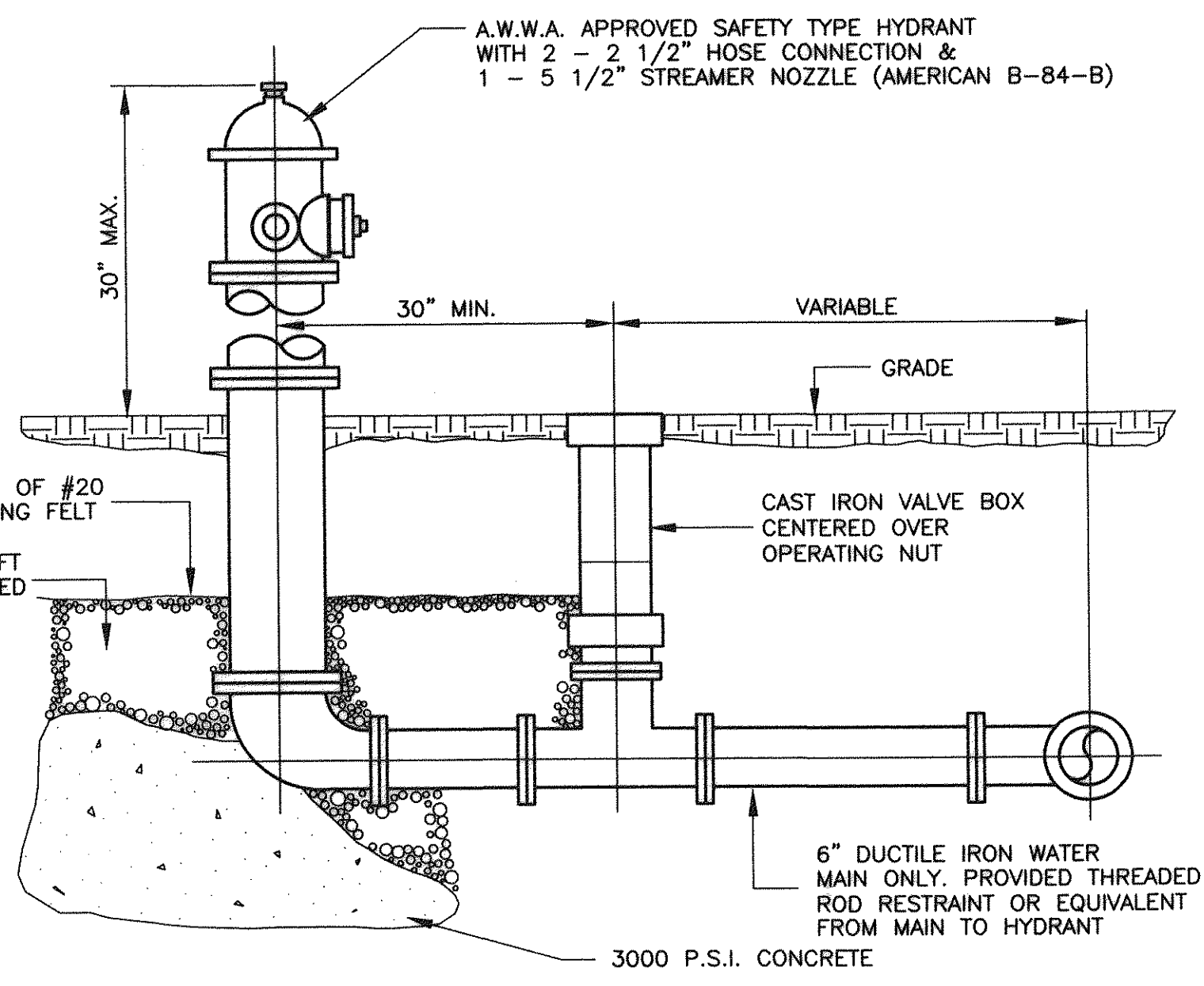
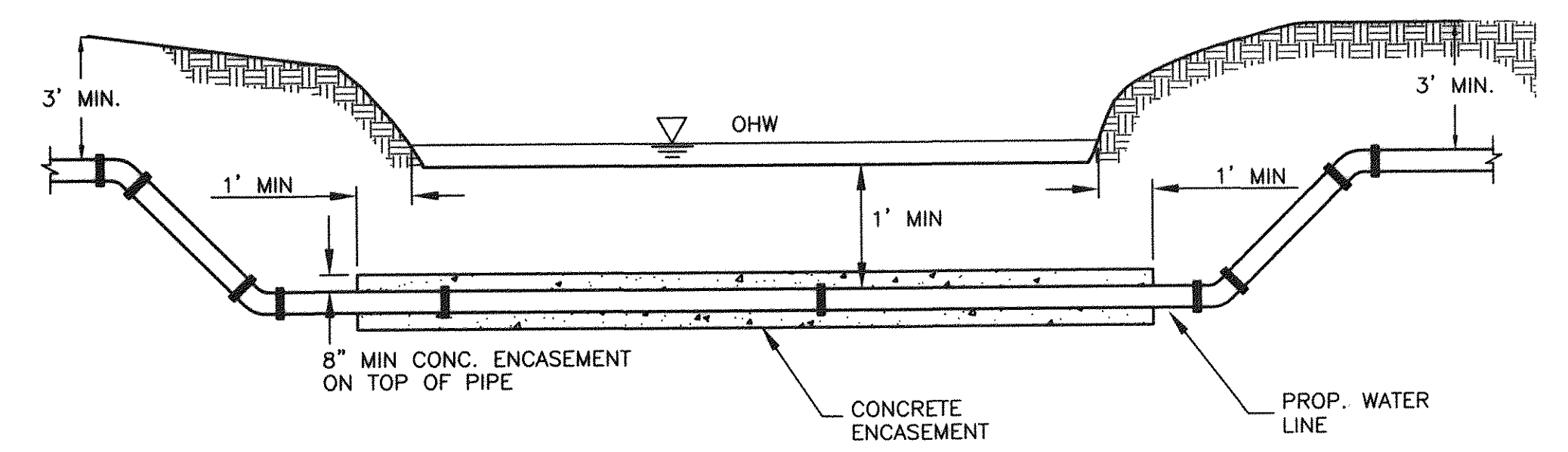


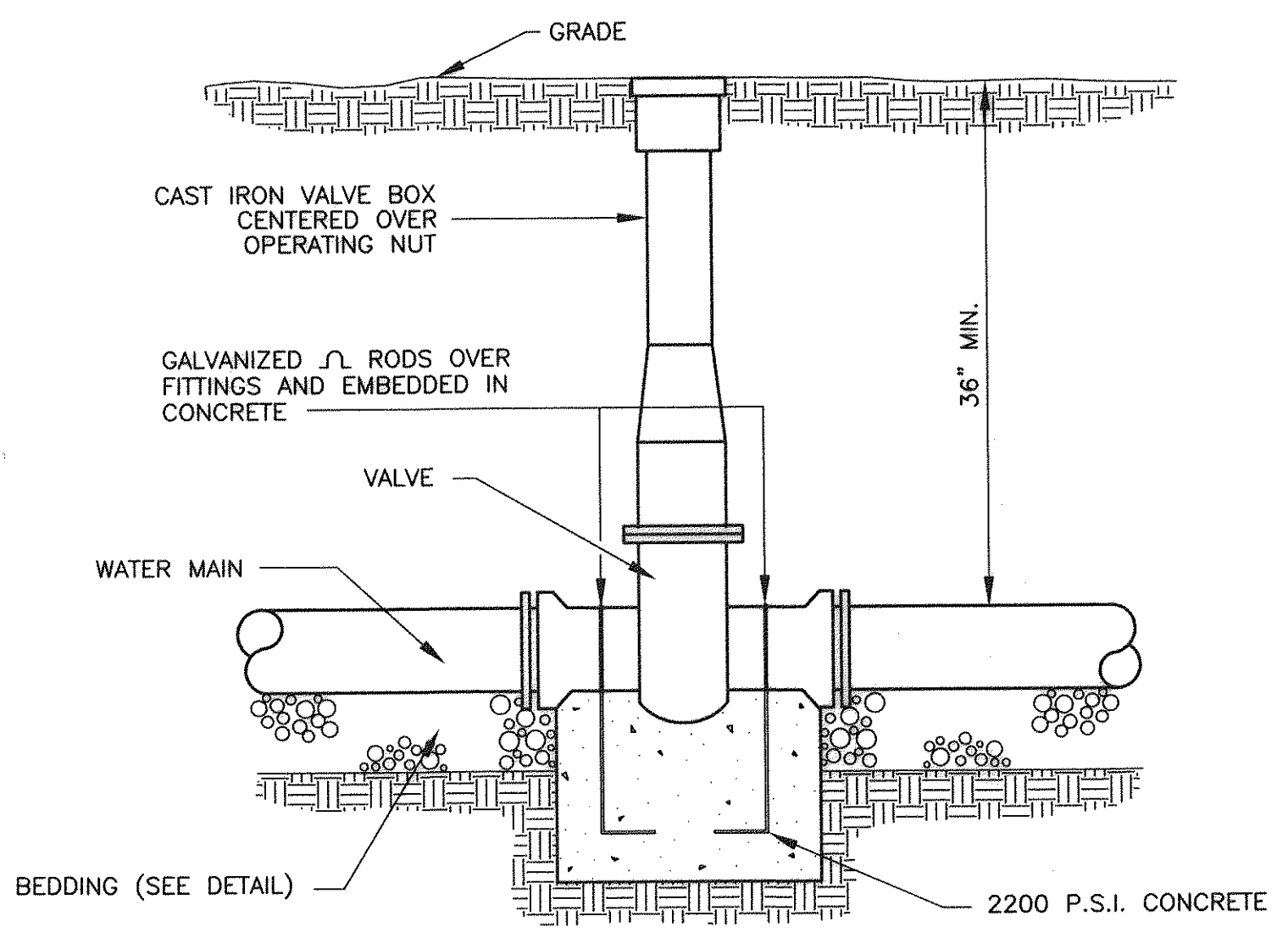
BLOW-OFF ASSEMBLY



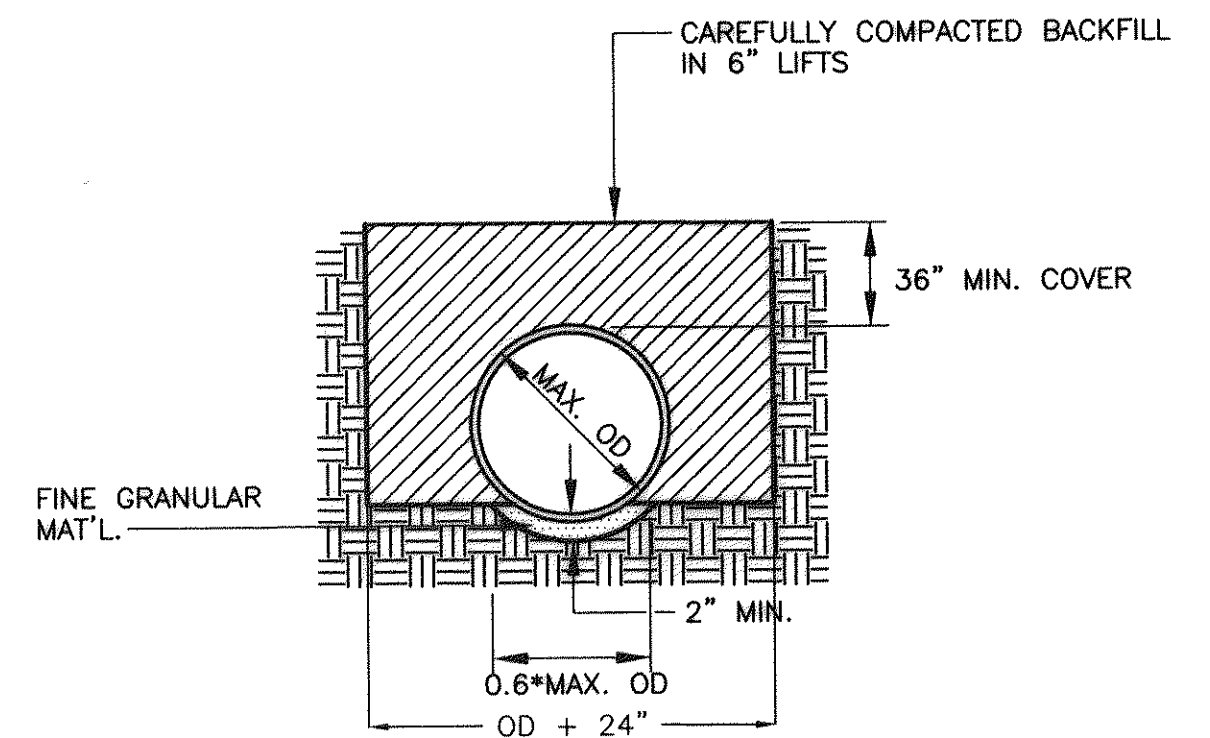
FIRE HYDRANT DETAIL



ENCASED CREEK CROSSING - WATER



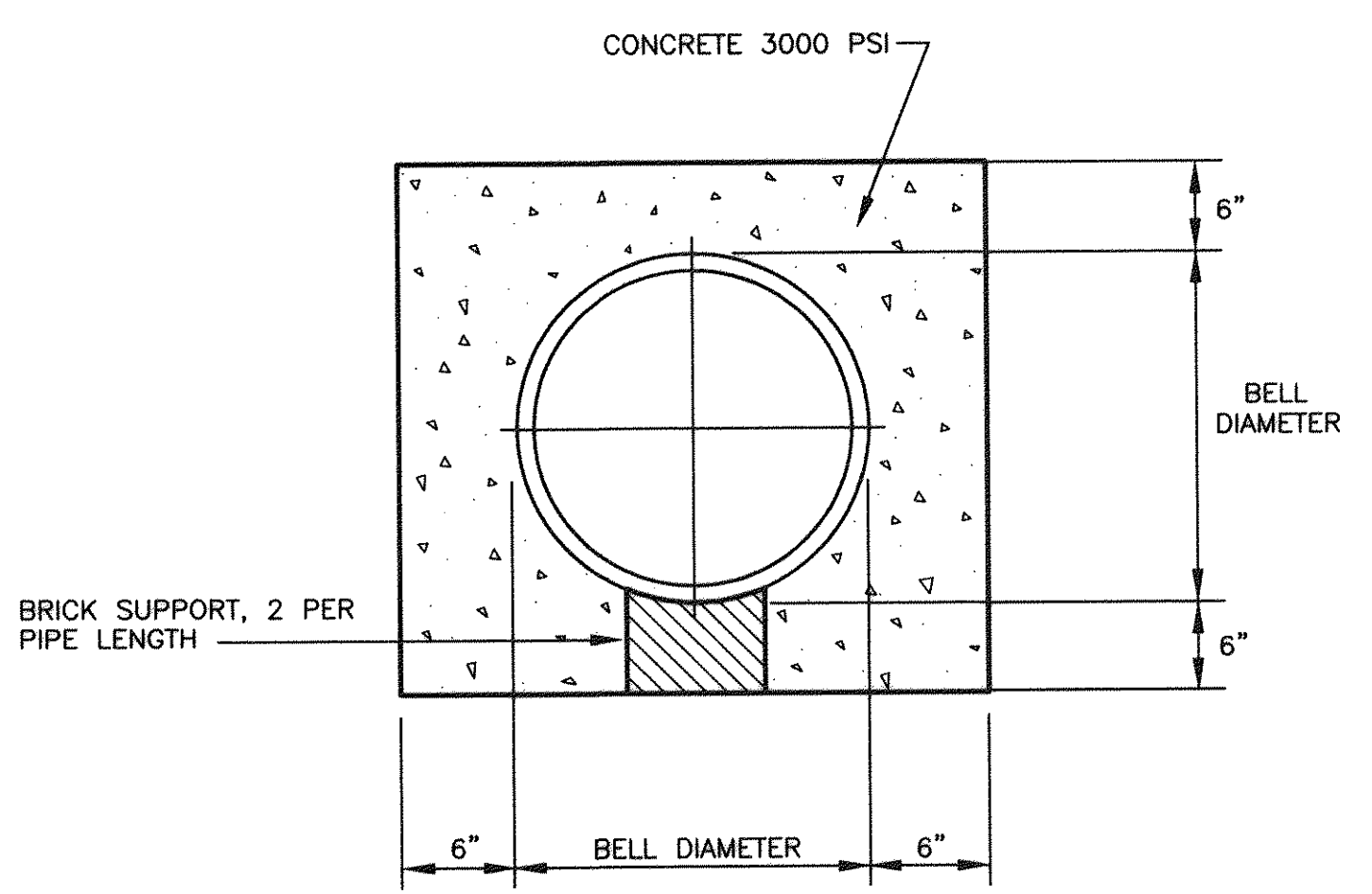
TYPICAL VALVE INSTALLATION



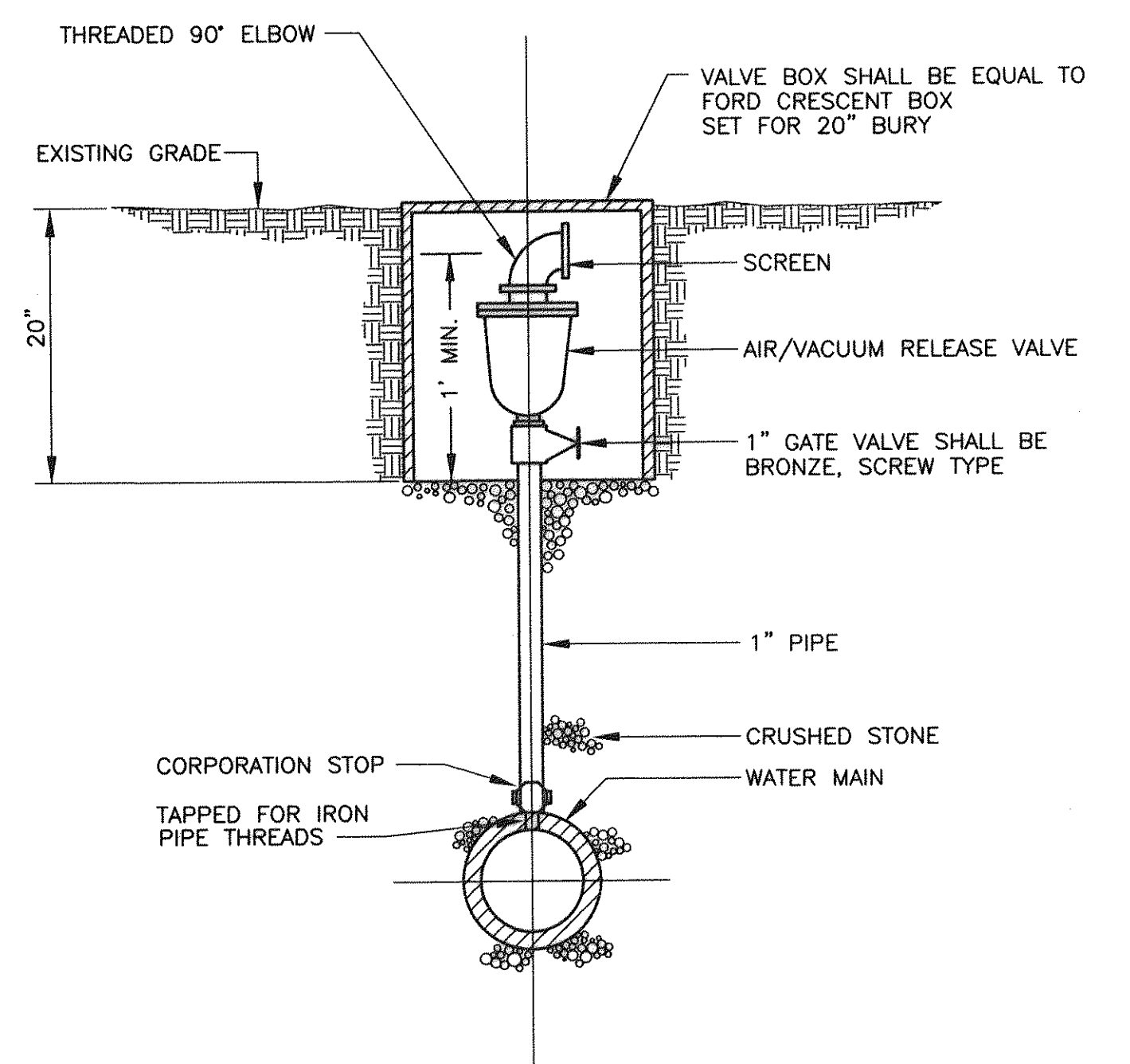
SHAPED BOTTOM W/ TAMPED BACKFILL

- NOTES:
- WHERE THE TRENCH BOTTOM IS IN ROCK, IT SHALL BE EXCAVATED TO A MINIMUM OF 8" BELOW THE BOTTOM OF THE PIPE AND BACKFILLED WITH SUITABLE BEDDING MATERIAL.
 - WHERE PIPE FOUNDATIONS ARE YIELDING, PIPE SHALL BE BEDDED ON A MINIMUM OF 8" SUITABLE BEDDING MATERIAL.
 - SHAPE TRENCH BOTTOM FOR PIPE BARREL, JOINTS, AND FITTINGS TO PROVIDE CONTINUOUS SUPPORT AND NO POINT LOADING OF PIPE, JOINTS, AND FITTINGS.
 - FOR PIPE LESS THAN 12" DIA., TRENCH WIDTH MAY BE 36"

BEDDING DETAIL



CONCRETE ENCASED PIPE



AUTOMATIC AIR/VACUUM RELEASE VALVE