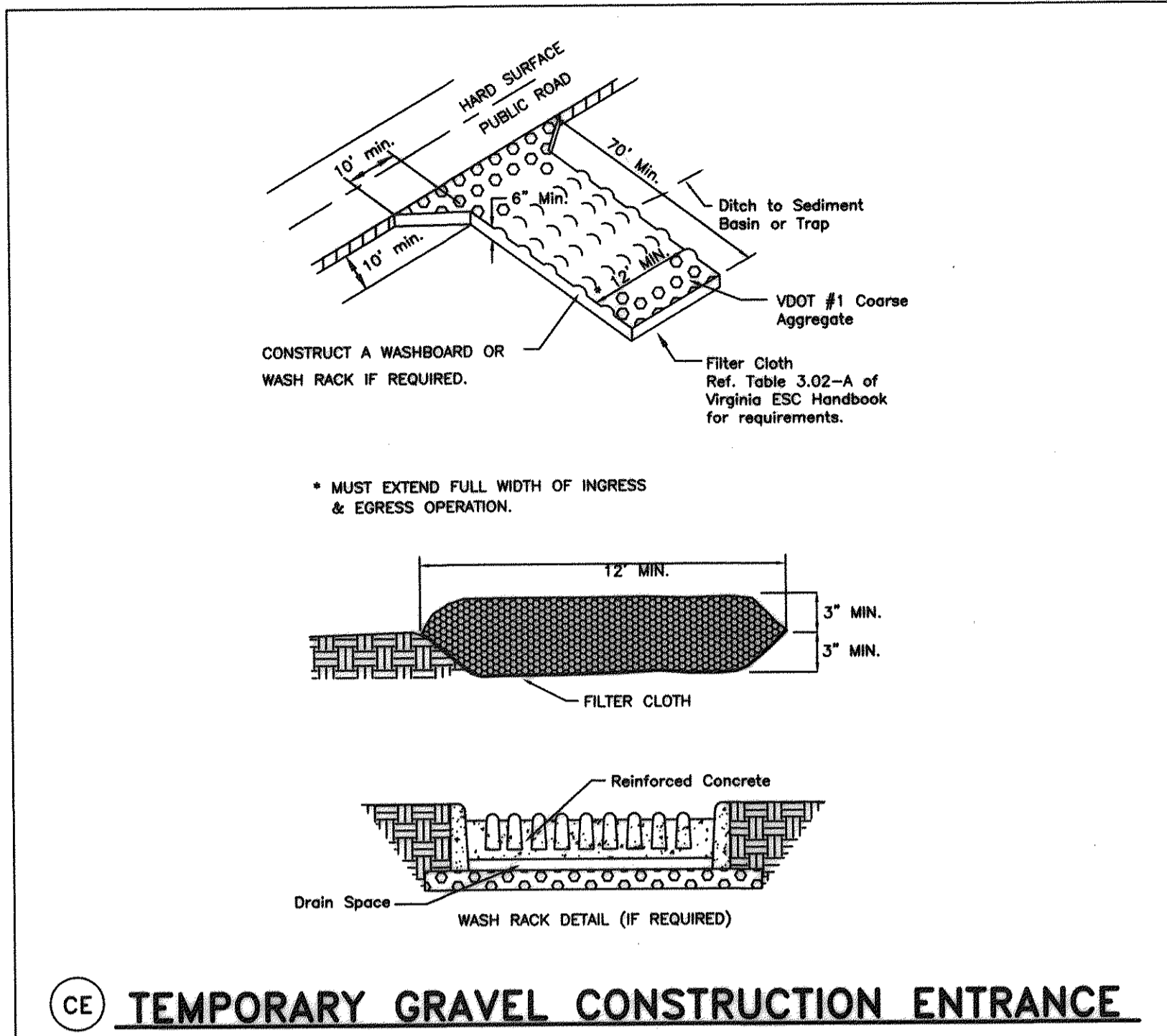
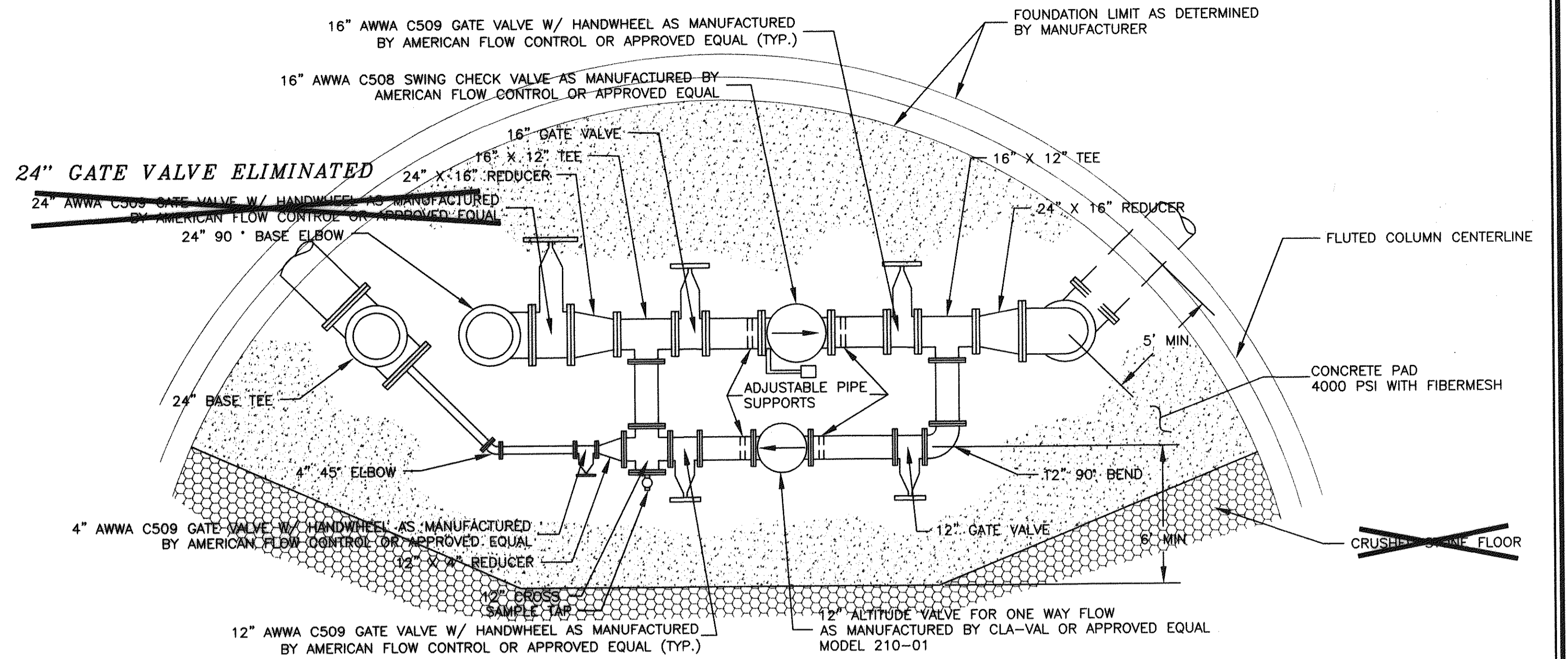


**GENERAL EROSION AND SEDIMENT CONTROL NOTES**

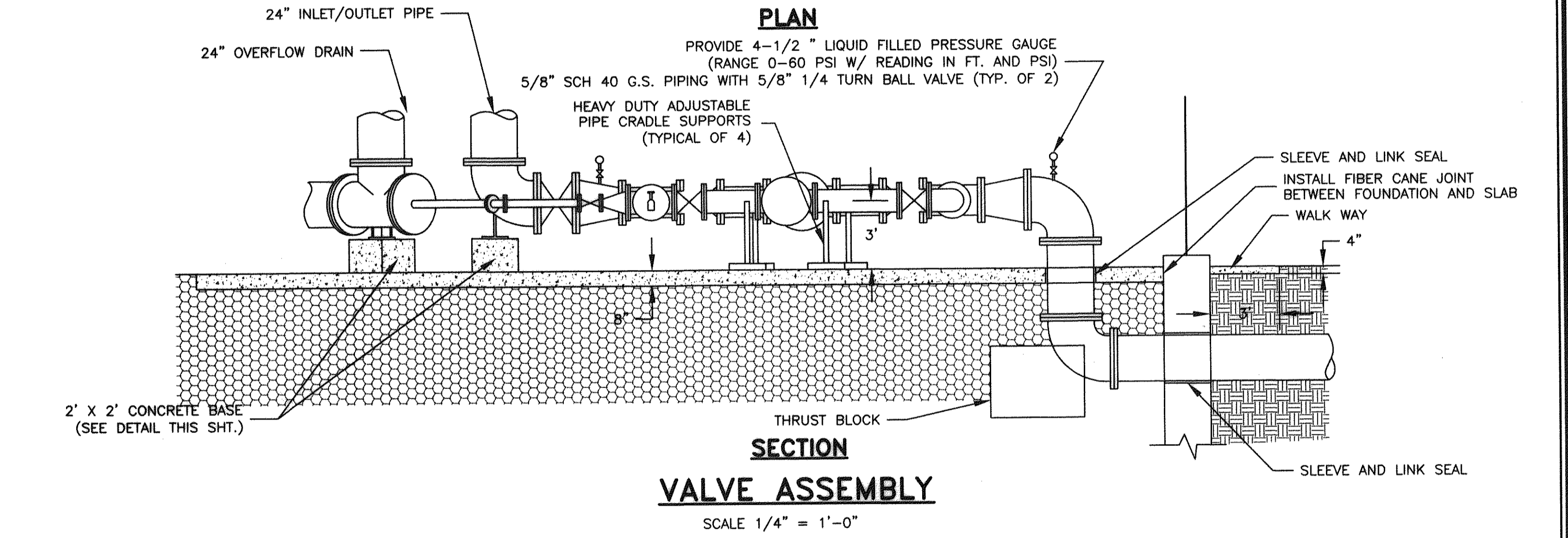
- ES-1 UNLESS OTHERWISE INDICATED, ALL VEGETATIVE AND STRUCTURAL EROSION AND SEDIMENT CONTROL PRACTICES WILL BE CONSTRUCTED AND MAINTAINED ACCORDING TO MINIMUM STANDARDS AND SPECIFICATIONS OF THE VIRGINIA EROSION AND SEDIMENT CONTROL HANDBOOK AND VIRGINIA REGULATIONS VR 625-02-00 EROSION AND SEDIMENT CONTROL REGULATIONS.
- ES-2 THE PLAN APPROVING AUTHORITY MUST BE NOTIFIED ONE WEEK PRIOR TO THE PRECONSTRUCTION CONFERENCE, ONE WEEK PRIOR TO THE COMMENCEMENT OF LAND DISTURBING ACTIVITY, AND ONE WEEK PRIOR TO THE FINAL INSPECTION.
- ES-3 ALL EROSION AND SEDIMENT CONTROL MEASURES ARE TO BE PLACED PRIOR TO OR AS THE FIRST STEP IN CLEARING
- ES-4 A COPY OF THE APPROVED EROSION AND SEDIMENT CONTROL PLAN SHALL BE MAINTAINED ON THE SITE AT ALL TIMES.
- ES-5 PRIOR TO COMMENCING LAND DISTURBING ACTIVITIES IN AREAS OTHER THAN INDICATED ON THESE PLANS (INCLUDING, BUT NOT LIMITED TO, OFF-SITE BORROW OR WASTE AREAS), THE CONTRACTOR SHALL SUBMIT A SUPPLEMENTARY EROSION CONTROL PLAN TO THE OWNER FOR REVIEW AND APPROVAL BY THE PLAN APPROVING AUTHORITY.
- ES-6 THE CONTRACTOR IS RESPONSIBLE FOR INSTALLATION OF ANY ADDITIONAL EROSION CONTROL MEASURES NECESSARY TO PREVENT EROSION AND SEDIMENTATION AS DETERMINED BY THE PLAN APPROVING AUTHORITY.
- ES-7 ALL DISTURBED AREAS ARE TO DRAIN TO APPROVED SEDIMENT CONTROL MEASURES AT ALL TIMES DURING LAND DISTURBING ACTIVITIES AND DURING SITE DEVELOPMENT UNTIL FINAL STABILIZATION IS ACHIEVED.
- ES-8 DURING DEWATERING OPERATIONS, WATER WILL BE PUMPED INTO AN APPROVED FILTERING DEVICE.
- ES-9 THE CONTRACTOR SHALL INSPECT ALL EROSION CONTROL MEASURES PERIODICALLY AND AFTER EACH RUN-OFF PRODUCING RAINFALL EVENT. ANY NECESSARY REPAIR OR CLEANUP TO MAINTAIN THE EFFECTIVENESS OF THE EROSION CONTROL DEVICES SHALL BE MADE IMMEDIATELY.



**CE TEMPORARY GRAVEL CONSTRUCTION ENTRANCE**



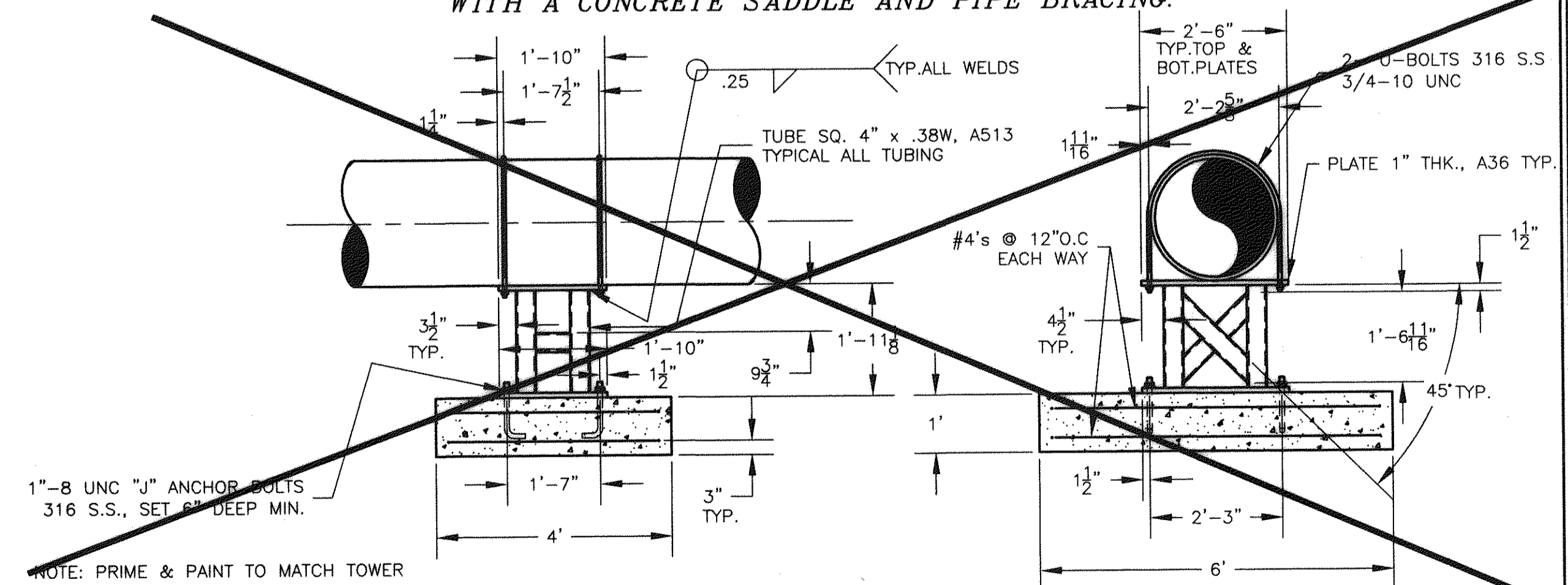
**NOTE: CONCRETE SLAB COVERS ENTIRE INTERIOR FLOOR.**



**SECTION VALVE ASSEMBLY**

SCALE 1/4" = 1'-0"

**NOTE: OVERFLOW PIPE SUPPORT WAS CONSTRUCTED WITH A CONCRETE SADDLE AND PIPE BRACING.**



**OVERFLOW PIPE SUPPORT DETAIL**

SCALE 1/2" = 1'-0"

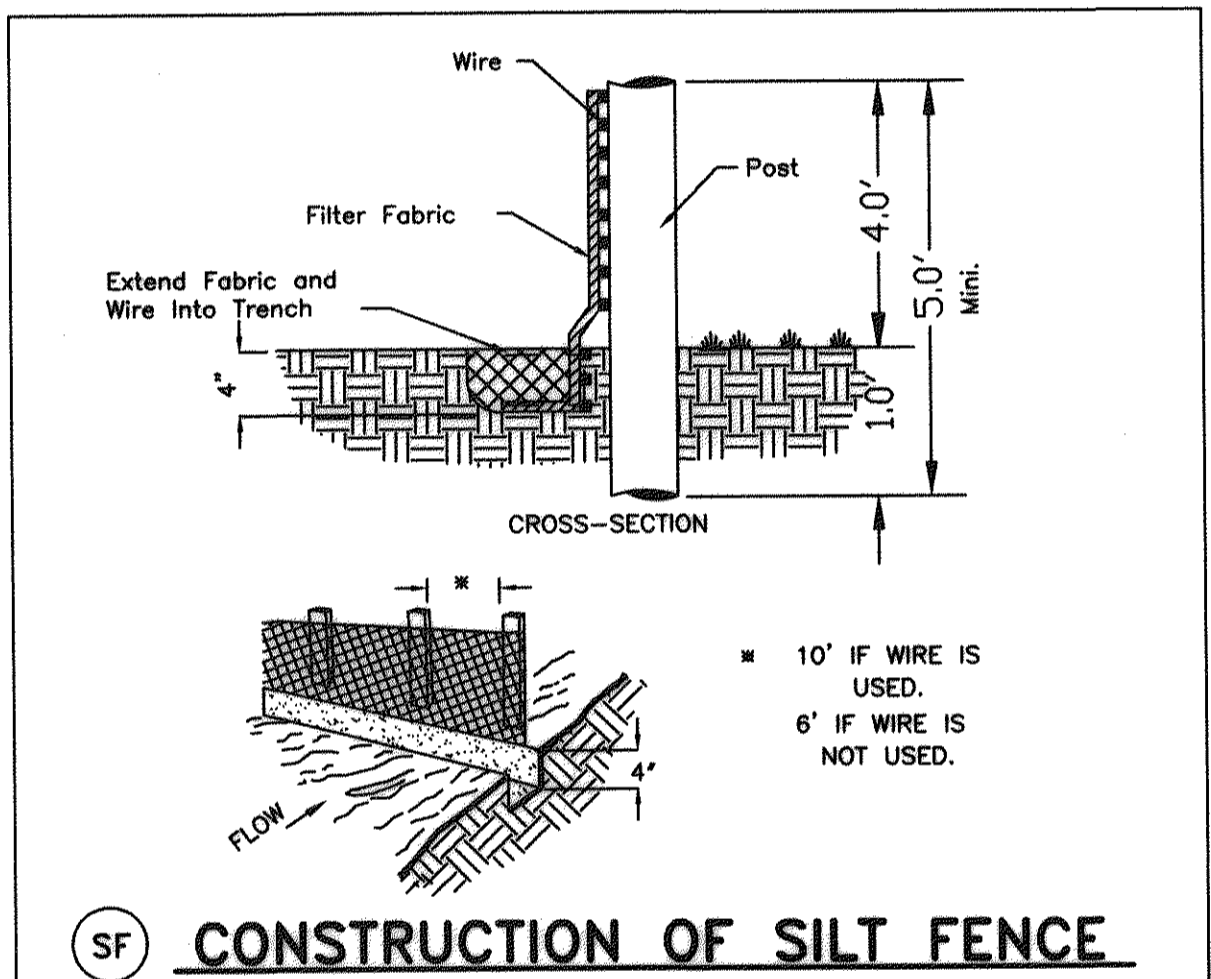
**PS PERMANENT SEEDING MIXTURES FOR APPALACHIAN/MOUNTAIN AREA**

MINIMUM CARE LAWN	TOTAL LBS. PER ACRE
COMMERCIAL OR RESIDENTIAL	200-250 LBS.
- KENTUCKY 31 OR TURF-TYPE TALL FESCUE	90-100%
- IMPROVED PERENNIAL RYEGRASS*	0-10%
- KENTUCKY BLUEGRASS	0-10%
HIGH MAINTENANCE LAWN	
MINIMUM OF THREE (3) UP TO FIVE (5) VARIETIES OF BLUEGRASS FROM APPROVED LIST FOR USE IN VIRGINIA.	125 LBS.
GENERAL SLOPE (3:1 OR LESS)	
- KENTUCKY 31 FESCUE	128 LBS.
- RED TOP GRASS	2 LBS.
- SEASONAL NURSE CROP**	20 LBS.
	150 LBS.
LOW-MAINTENANCE SLOPE (STEEPER THAN 3:1)	
- KENTUCKY 31 FESCUE	108 LBS.
- RED TOP GRASS	2 LBS.
- SEASONAL NURSE CROP**	20 LBS.
- CROWNVTCH***	20 LBS.
	150 LBS.

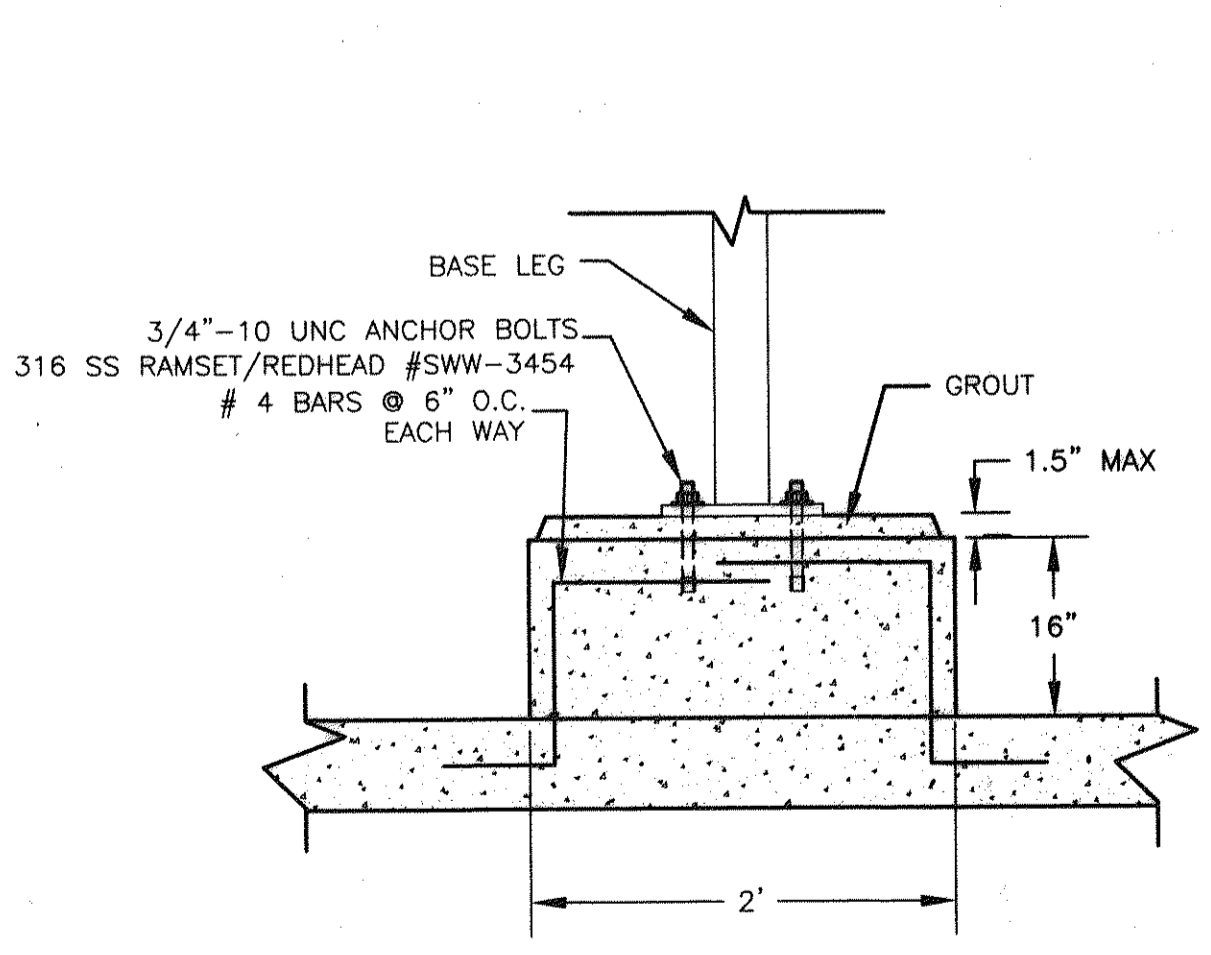
\* PERENNIAL RYEGRASS WILL GERMINATE FASTER AND AT LOWER SOIL TEMPERATURE THAN FESCUE, THEREBY PROVIDING COVER AND EROSION RESISTANCE FOR SEEDBED.

\*\* USE SEASONAL NURSE CROP IN ACCORDANCE WITH SEEDING DATES STATED BELOW:  
 MARCH, APRIL THROUGH MAY 15 TH --- ANNUAL RYE  
 MAY 16 TH THROUGH AUGUST 15 TH --- FOXTAIL MILLET  
 AUGUST 16 TH THROUGH SEPTEMBER, OCTOBER --- ANNUAL RYE  
 NOVEMBER THROUGH FEBRUARY --- WINTER RYE

\*\*\* IF FLATPEA IS USED, INCREASE TO 30 LBS./ACRE. ALL LEGUME SEED MUST BE PROPERLY INOCULATED. WEEPING LOVEGRASS MAY ALSO BE INCLUDED IN ANY SLOPE OR LOW-MAINTENANCE MIXTURE DURING WARMER SEEDING PERIODS; ADD 10-20 LBS./ACRE IN MIXES.

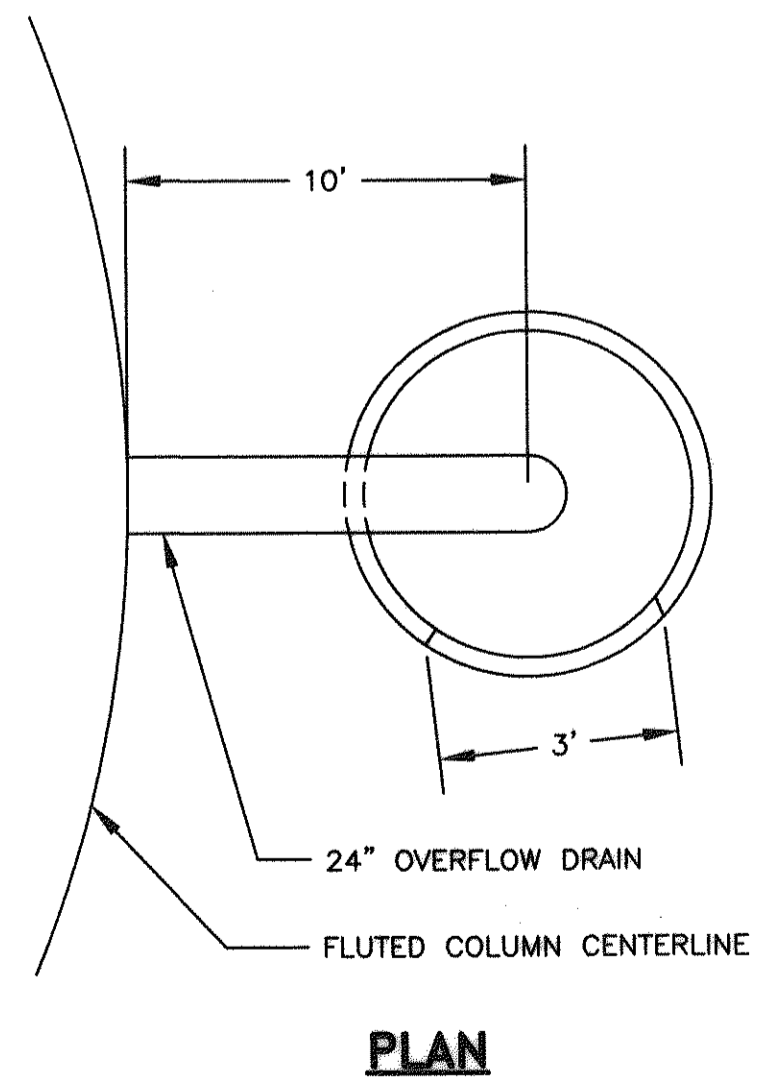


**SF CONSTRUCTION OF SILT FENCE**



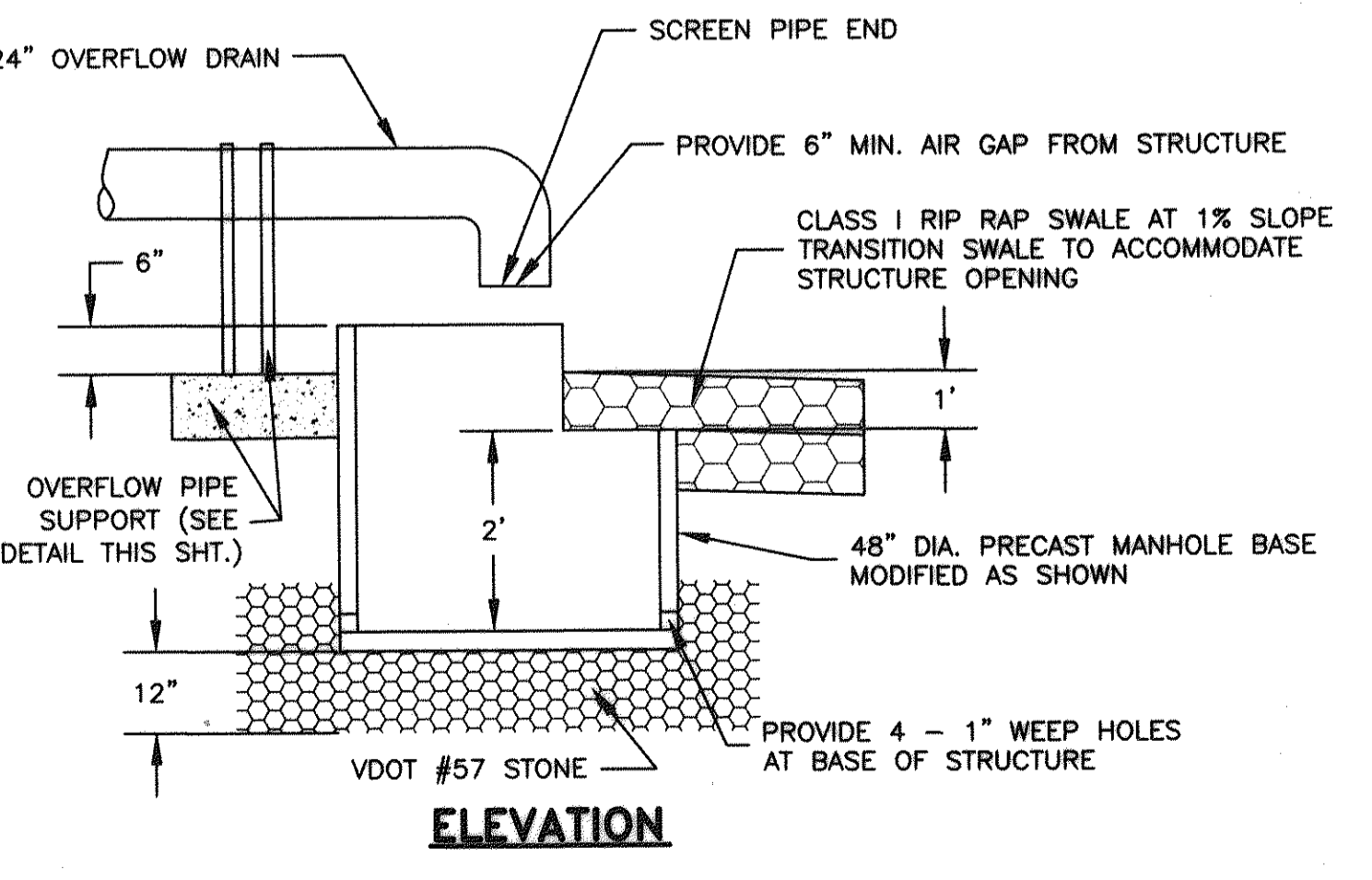
**CONCRETE BASE DETAIL**

NTS



**SPLASH POOL DETAIL**

NTS



**ELEVATION**

FONT DESIGNATES AS BUILT CHANGES TO DESIGN PLANS

**ENGINEERING CONCEPTS, INC.**  
 20 S. ROANOKE ST., PO BOX 619  
 FINCASTLE, VIRGINIA 24090  
 540.473.1253 FAX: 540.473.1254

AS-BUILT

Drawn	PSN	<b>GREENFIELD WATER TANK DETAILS AND NOTES</b>	AS SHOWN
Designed	PSN		NOVEMBER 1997
Checked	JST		PROJECT: 97075
Approved	JST		<b>3 of 3</b>