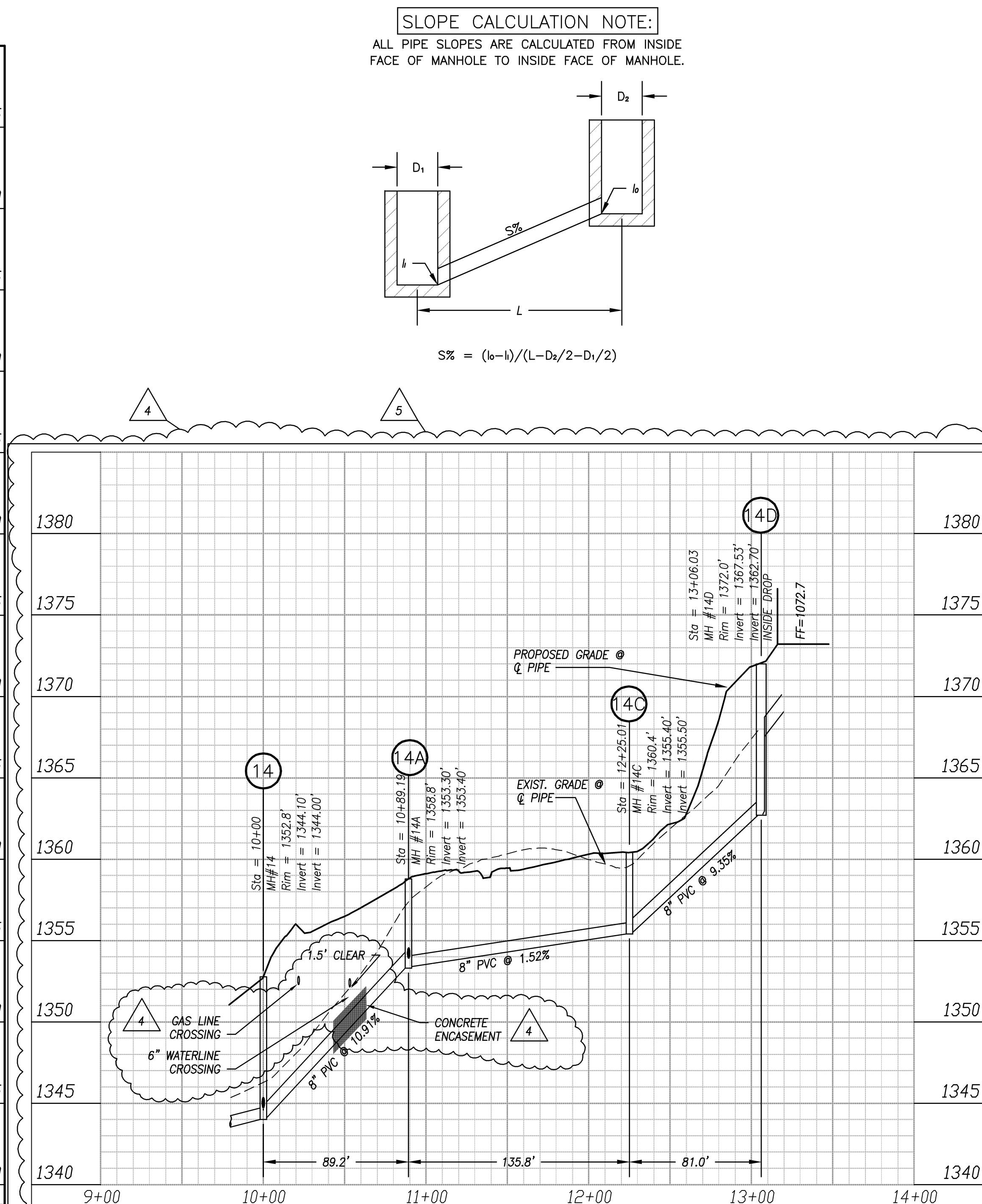
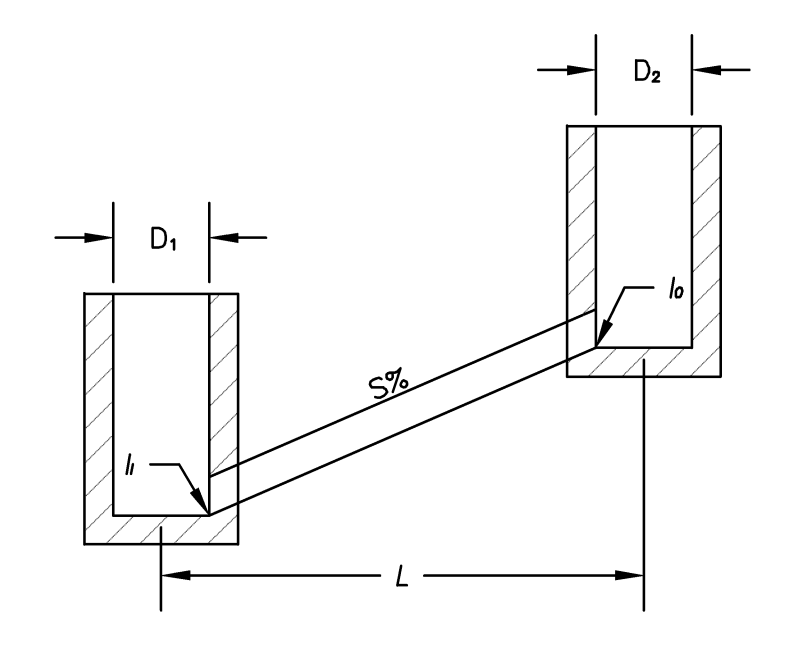


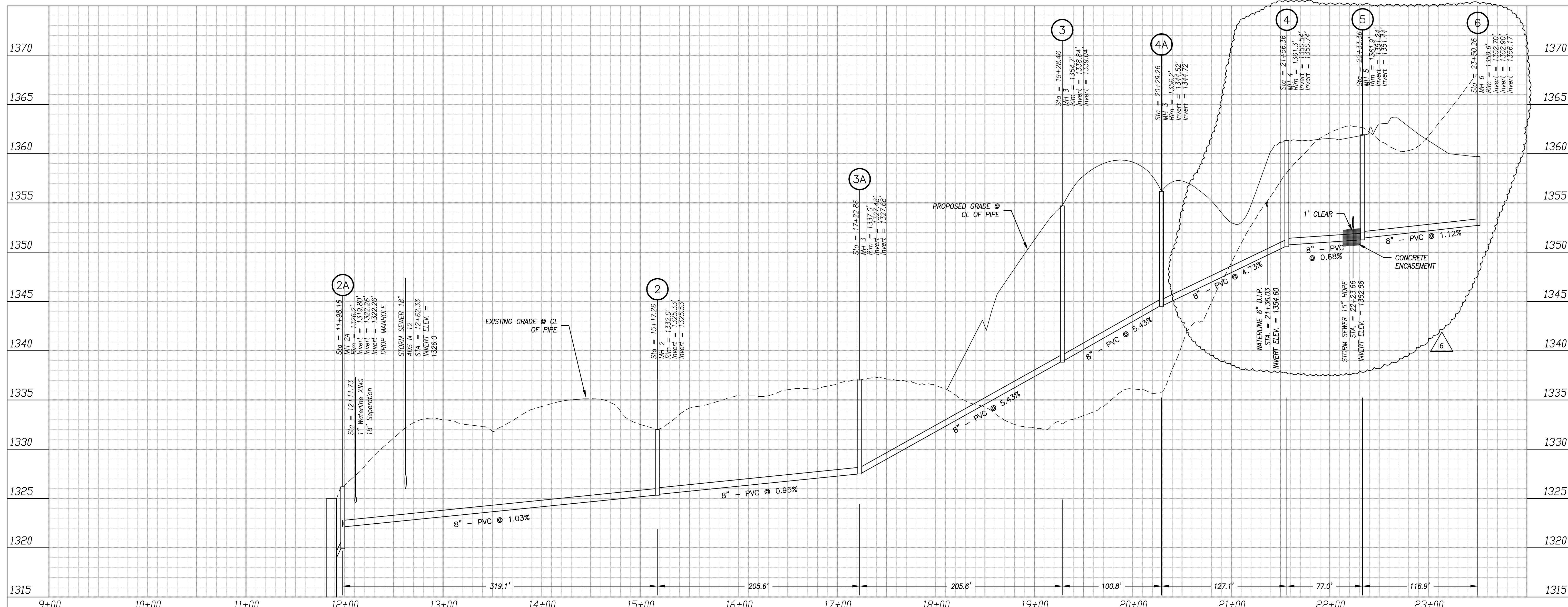
SEE SHEETS C21,C17 AND C26,C22 FOR PLAN VIEW



**SLOPE CALCULATION NOTE:**  
ALL PIPE SLOPES ARE CALCULATED FROM INSIDE FACE OF MANHOLE TO INSIDE FACE OF MANHOLE.



$$S\% = (h-l)/(L-D_1/2-D_2/2)$$



SEE SHEETS C21,C18,C17 AND C26,C23,C22 FOR PLAN VIEW

KEYPLAN

**ENGINEERING CONCEPTS, INC.**  
20 South Roanoke St.  
Fincastle, Virginia 24090 540.473.1253  
540.473.1254 (fax)  
email@engineeringconcepts.com  
ECI PROJECT #02019

GENERAL NOTES

Michelle P. Caruthers  
No. 36375  
3/13/04  
PROFESSIONAL ENGINEER

SCALE:  
1" = 50' HOR.  
1" = 5' VERT.

PROJECT TITLE

**The Glebe**

**SFCS** Architecture  
Engineering  
Planning  
Interiors

SFCS Inc. • 305 South Jefferson Street  
Roanoke, Virginia 24011.2003  
540.344.6664 • Fax 540.343.6925  
www.sfcs.com

PROJECT DESIGNER	: SFCS	
PROJECT ARCHITECT	: SFCS	
PROJECT ENGINEER	: ECI	
DRAWN BY	: ECI	
CHECKED BY	: ECI	
APPROVED BY	: ECI	
NO.	REVISION DESCRIPTION	DATE
2	SANITARY SEWER REVISIONS	8/06/03
4	REVISION PER BOT CO	11/12/03
5	REVISION PER BOT CO	12/11/03
6	MEP COURTYARD REVISION	2/11/04
DRAWING TITLE		
<b>SANITARY SEWER PROFILES</b>		
COMM. NO.	4715.00	DATE
		11/2/03
DRAWING		SHEET