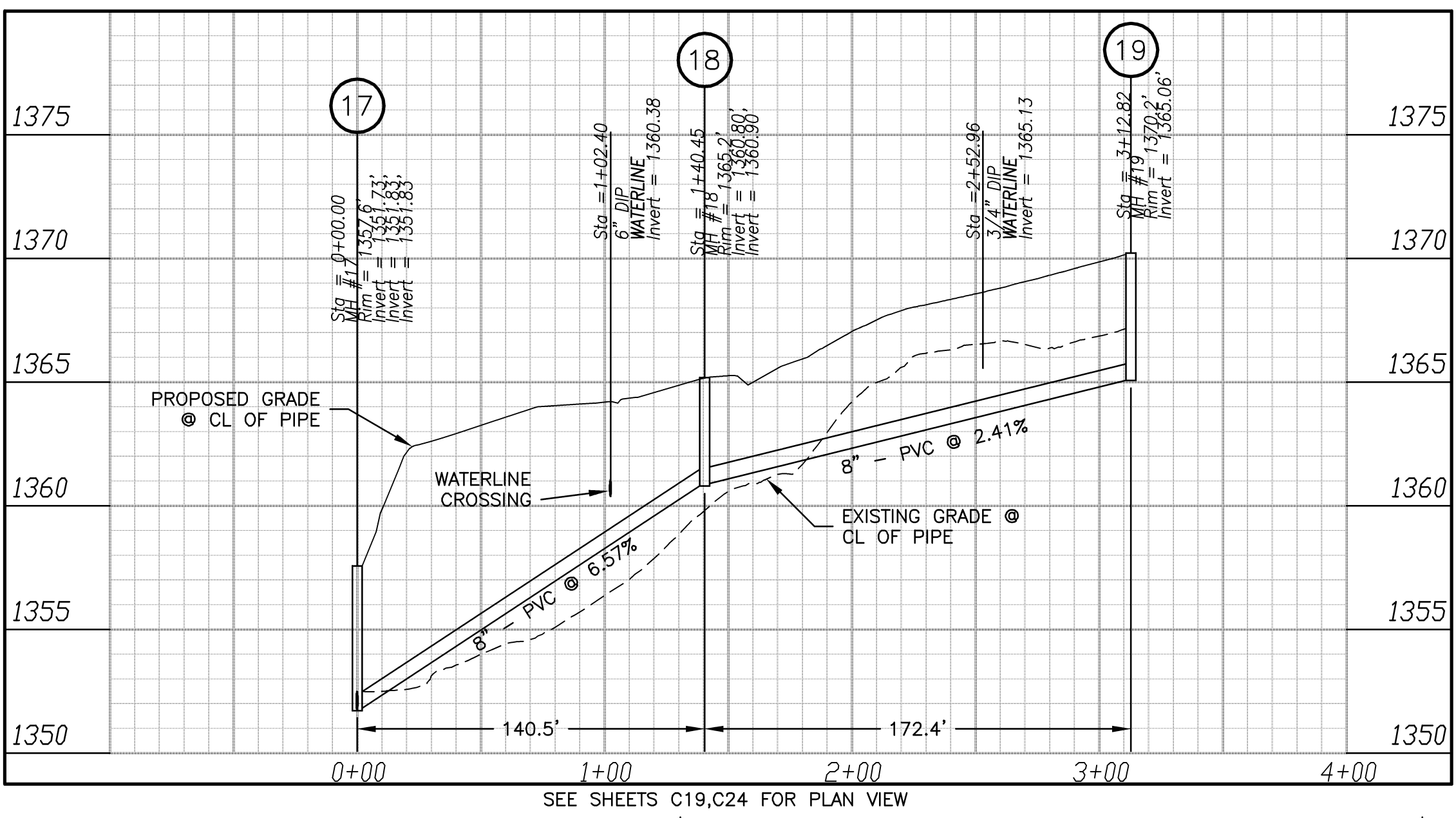
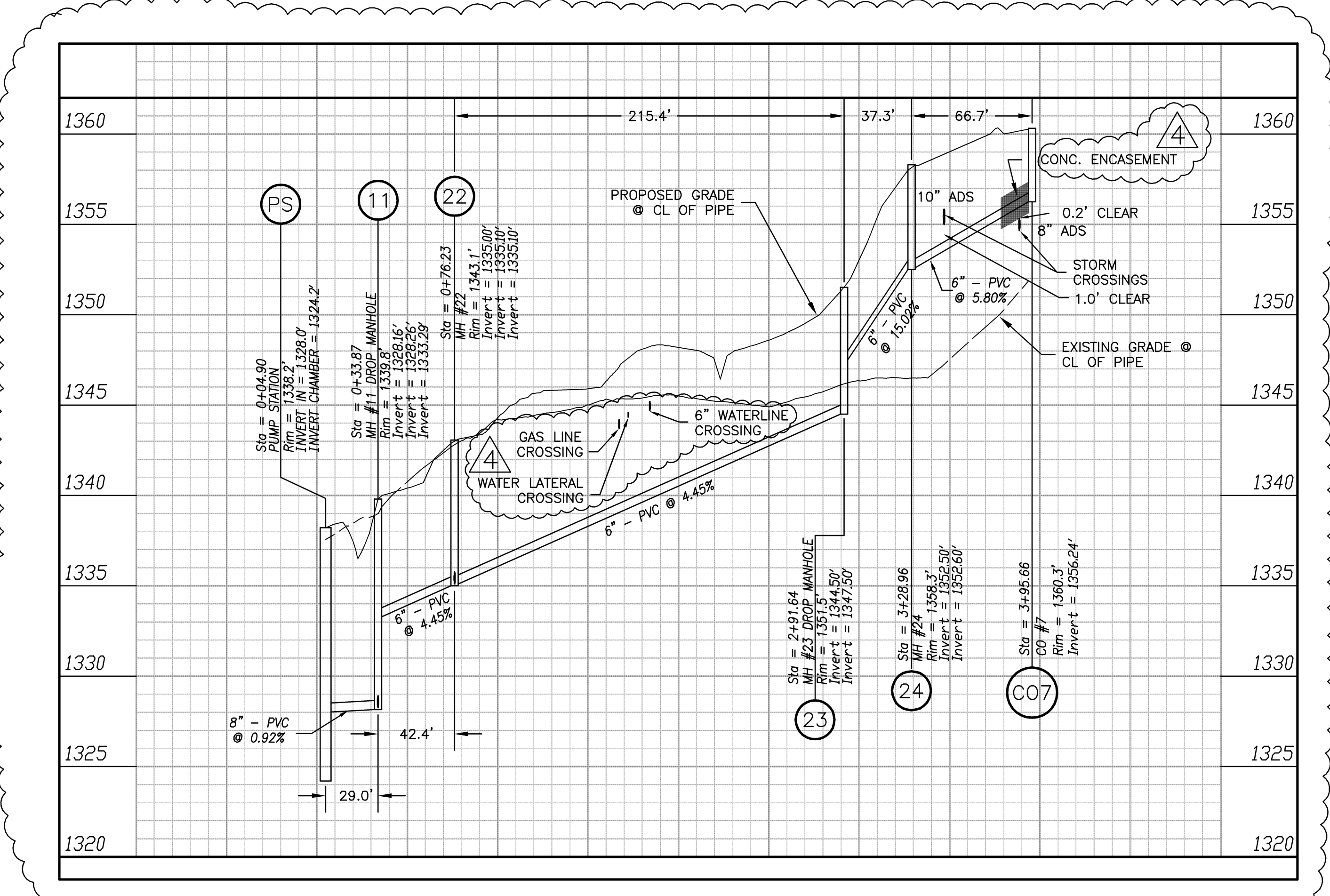
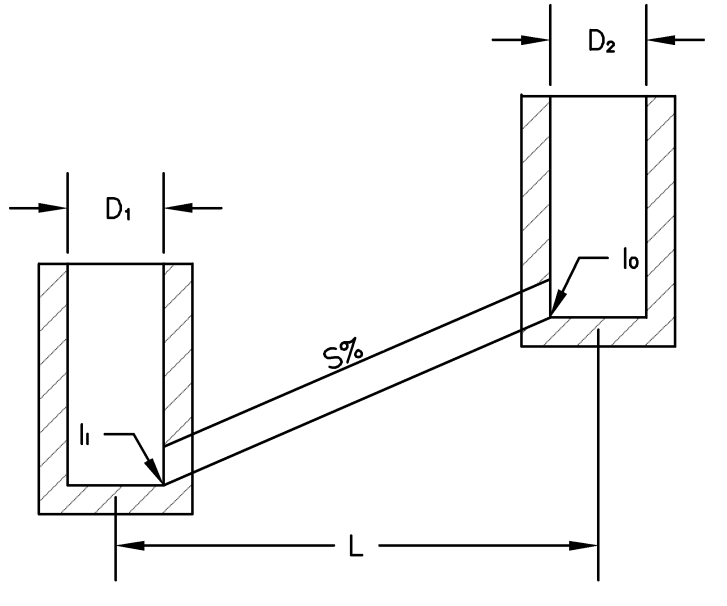


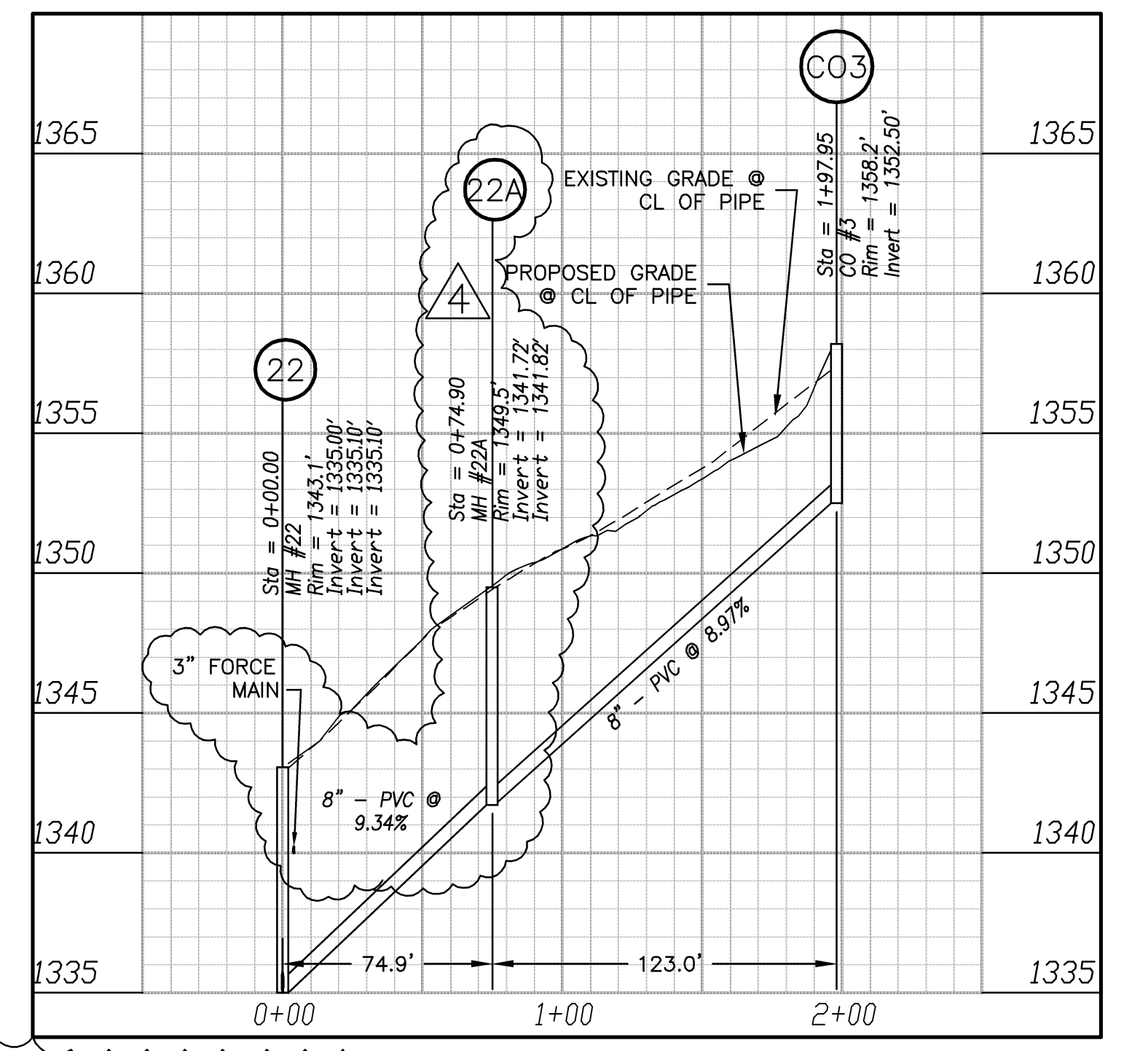
1. FORCE MAIN TRENCH IS TO INCLUDE ALL REQUIRED ELECTRICAL SERVICES. SEE ARCHITECTURAL PLANS FOR DETAILS.
2. FORCE MAIN SHALL BE INSTALLED ON A CONTINUOUSLY RISING GRADE.



SLOPE CALCULATION NOTE:
ALL PIPE SLOPES ARE CALCULATED FROM INSIDE FACE OF MANHOLE TO INSIDE FACE OF MANHOLE.



$$S\% = \frac{(L - D_2/2 - D_1/2)}{L} \times 100$$



KEY PLAN

ENGINEERING CONCEPTS, INC.
20 South Roanoke St.
Fincastle, Virginia 24090
540.473.1253 540.473.1254(Fax)
email@engineeringconcepts.com
ECI PROJECT #02019

GENERAL NOTES

SCALE:
1" = 50' HOR.
1" = 5' VERT.

PROJECT TITLE

The Glebe

SFCs Architecture
Engineering
Planning
Interiors
SFCs Inc. • 305 South Jefferson Street
Roanoke, Virginia 24011.2003
540.344.6664 • Fax 540.343.6925
www.sfc.com

PROJECT DESIGNER	: SFCs
PROJECT ARCHITECT	: SFCs
PROJECT ENGINEER	: ECI
DRAWN BY	: ECI
CHECKED BY	: ECI
APPROVED BY	: ECI

NO.	REVISION DESCRIPTION	DATE
1	VDOT,VDH,BOTETOURT COUNTY COMMENTS	
2	SANITARY SEWER REVISIONS	8/06/03
3	PUMP STATION RELOCATION	8/14/03
4	REVISION PER BOT CO	11/12/03

DRAWING TITLE
SANITARY SEWER PROFILES

COMM. NO.	47115.00	DATE	11/12/03
DRAWING	SHEET		