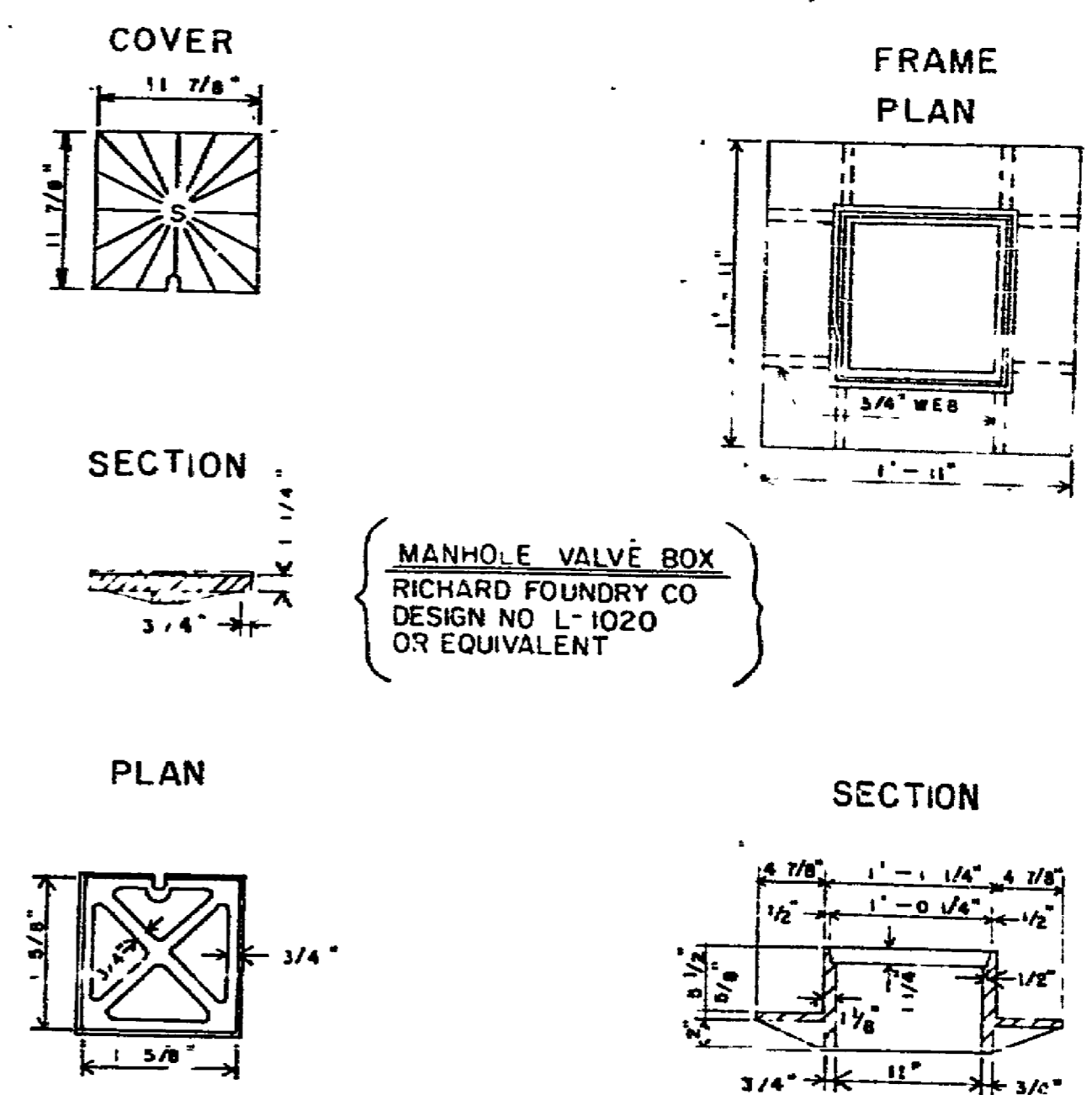
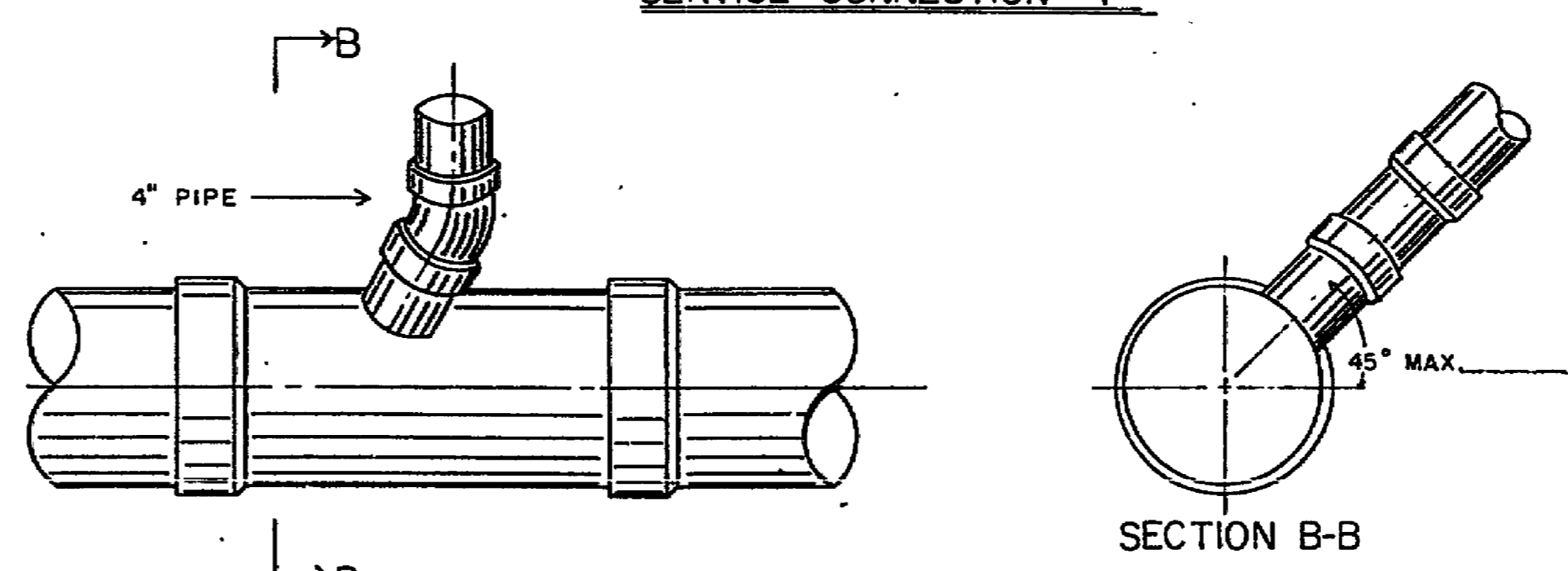
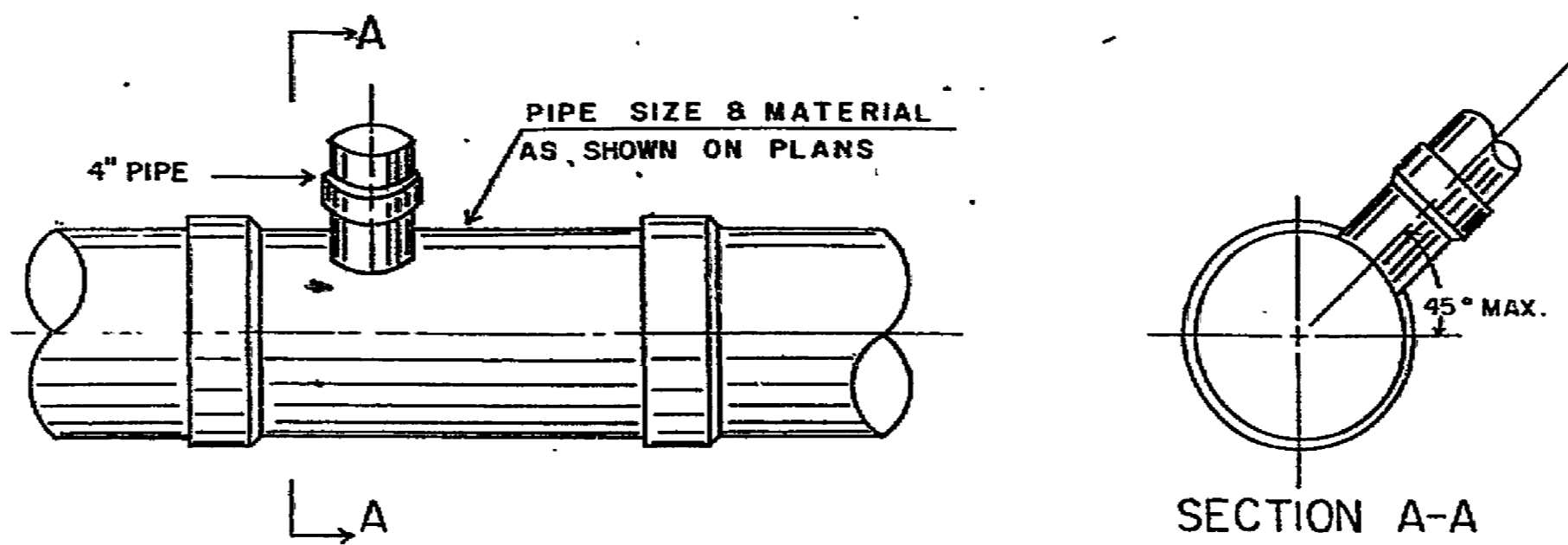
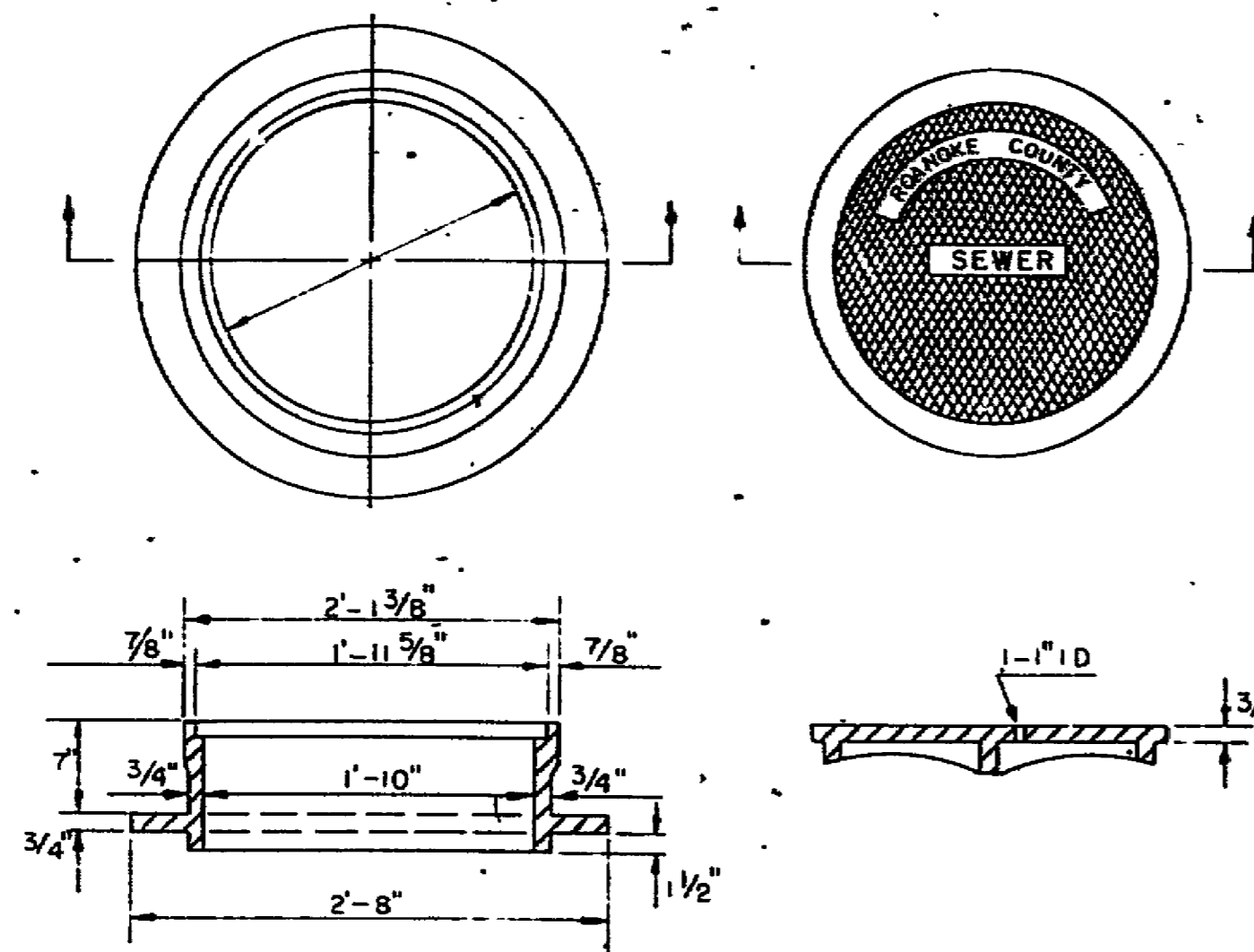
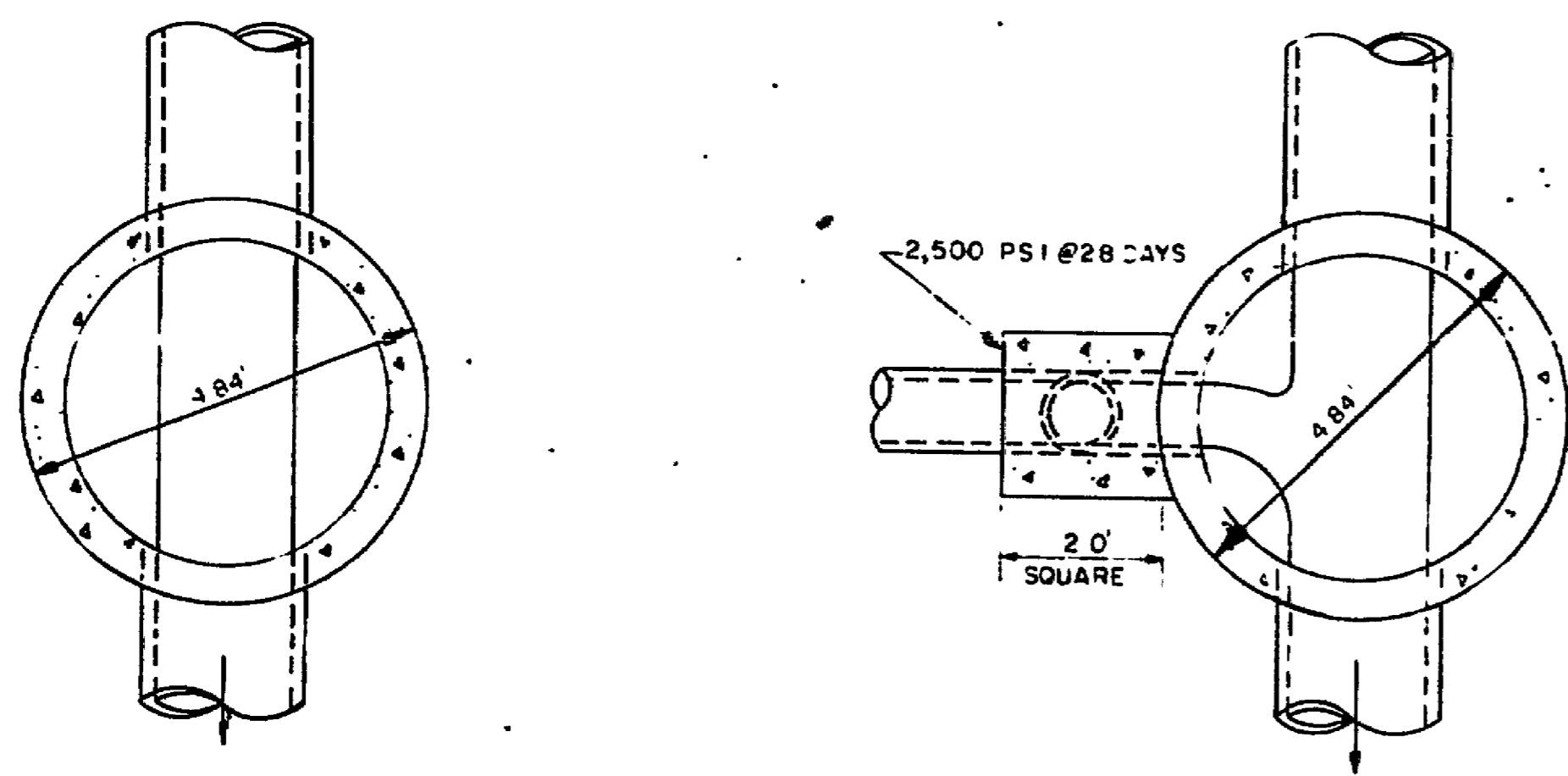


MANHOLE FRAME AND COVER

RICHARD FOUNDRY CO. DESIGN NO. B-1444
DEWEY BROS., INC. MH-RCR-56, OR EQUIVALENT

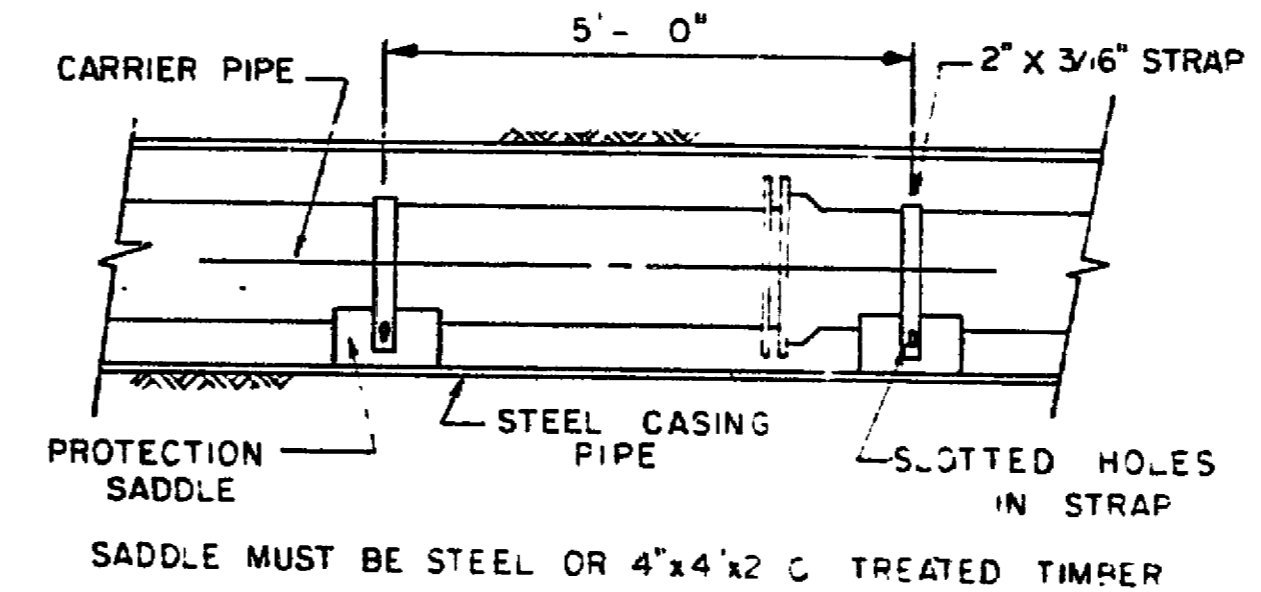
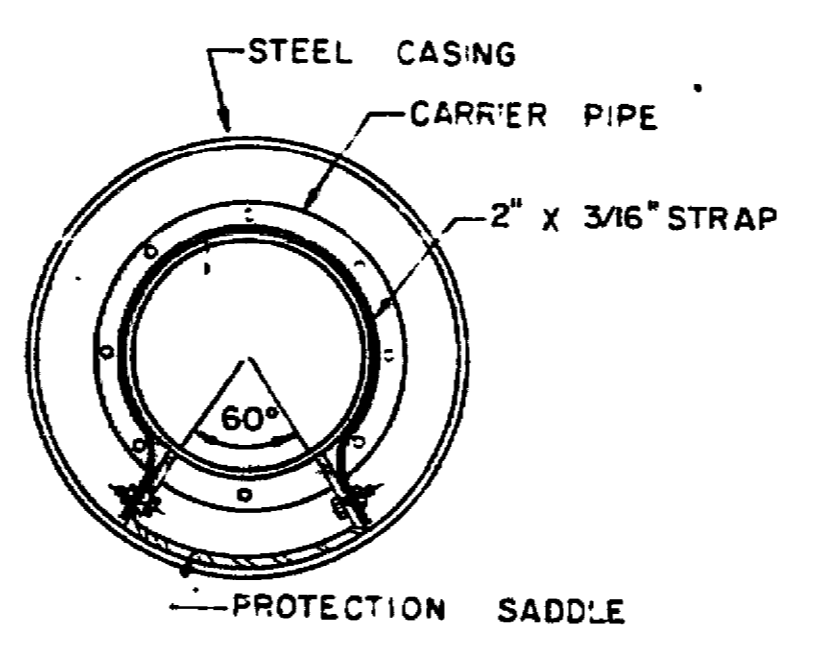


CLEAN OUT FRAME AND COVER
SCALE: 1" = 1'-0"

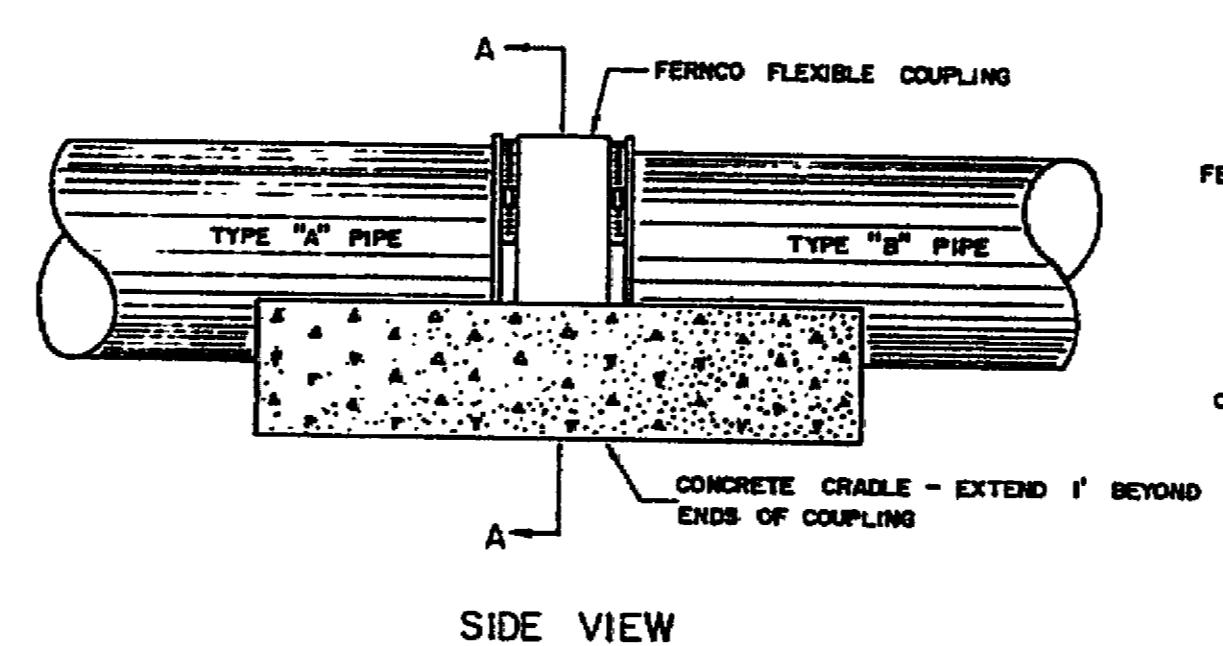


SECTION A-A STANDARD MANHOLE

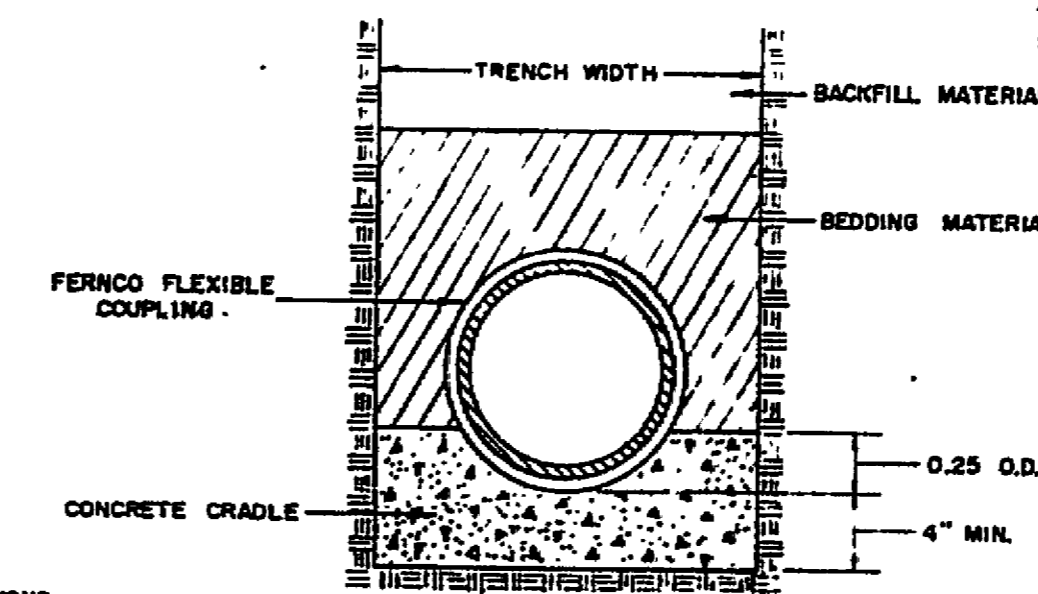
SECTION B-B DROP MANHOLE



BORING AND CASING

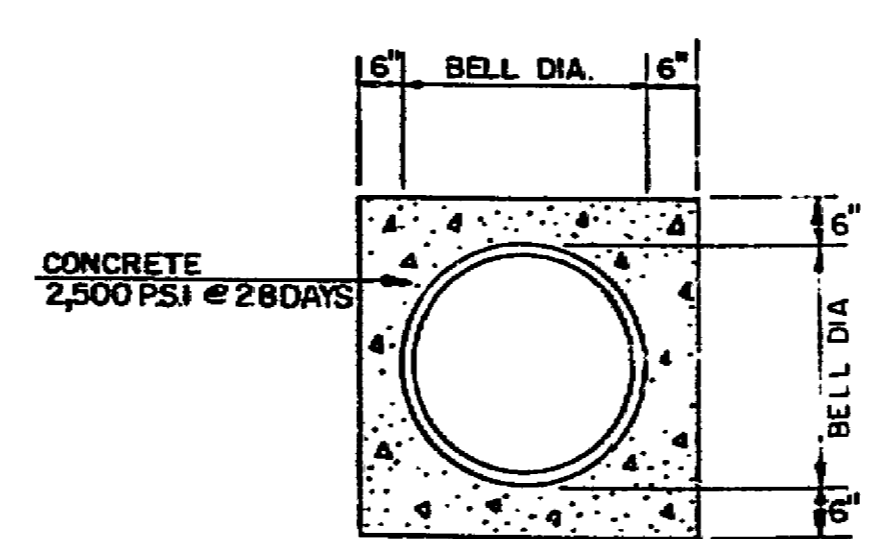


SIDE VIEW

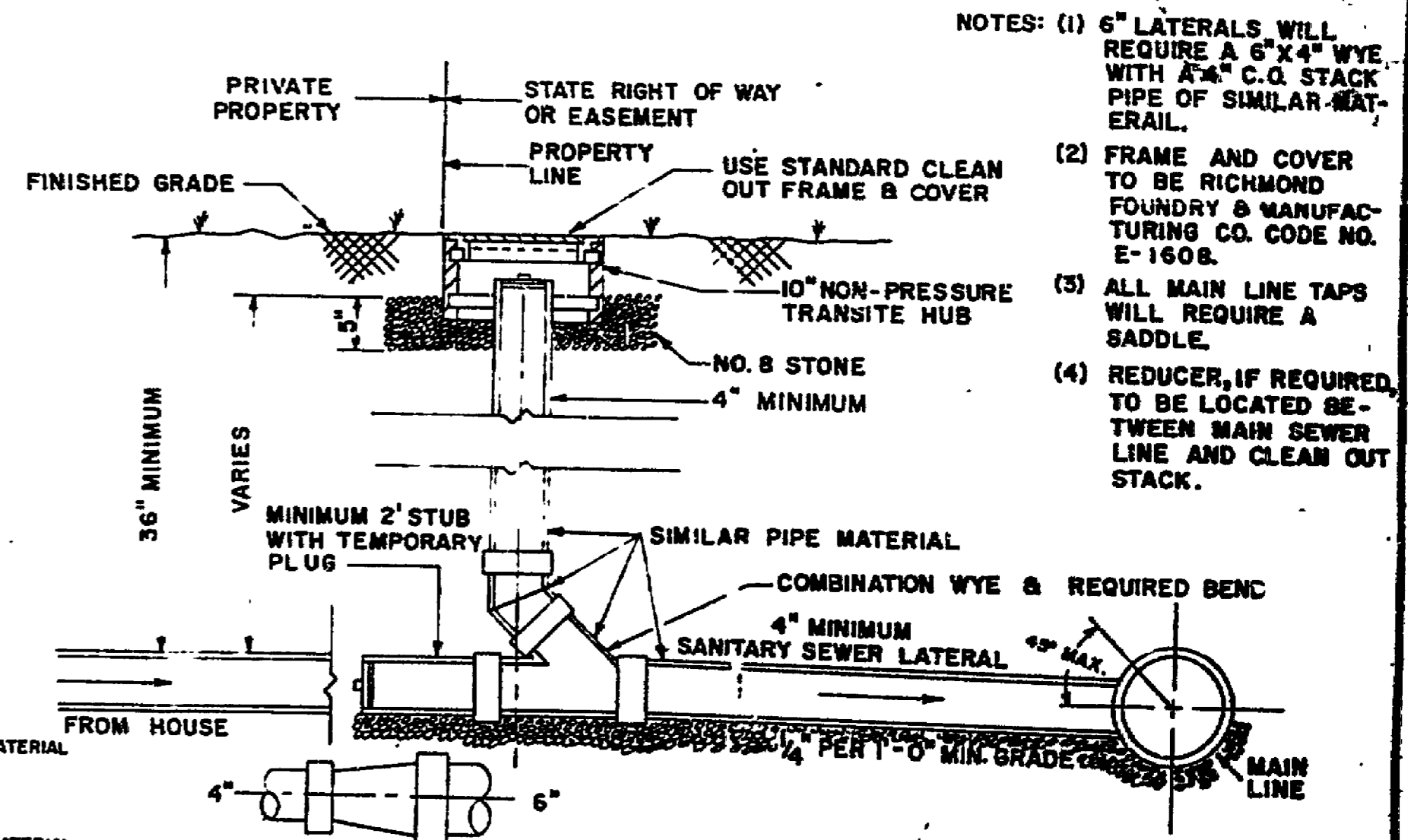


SECTION A-A

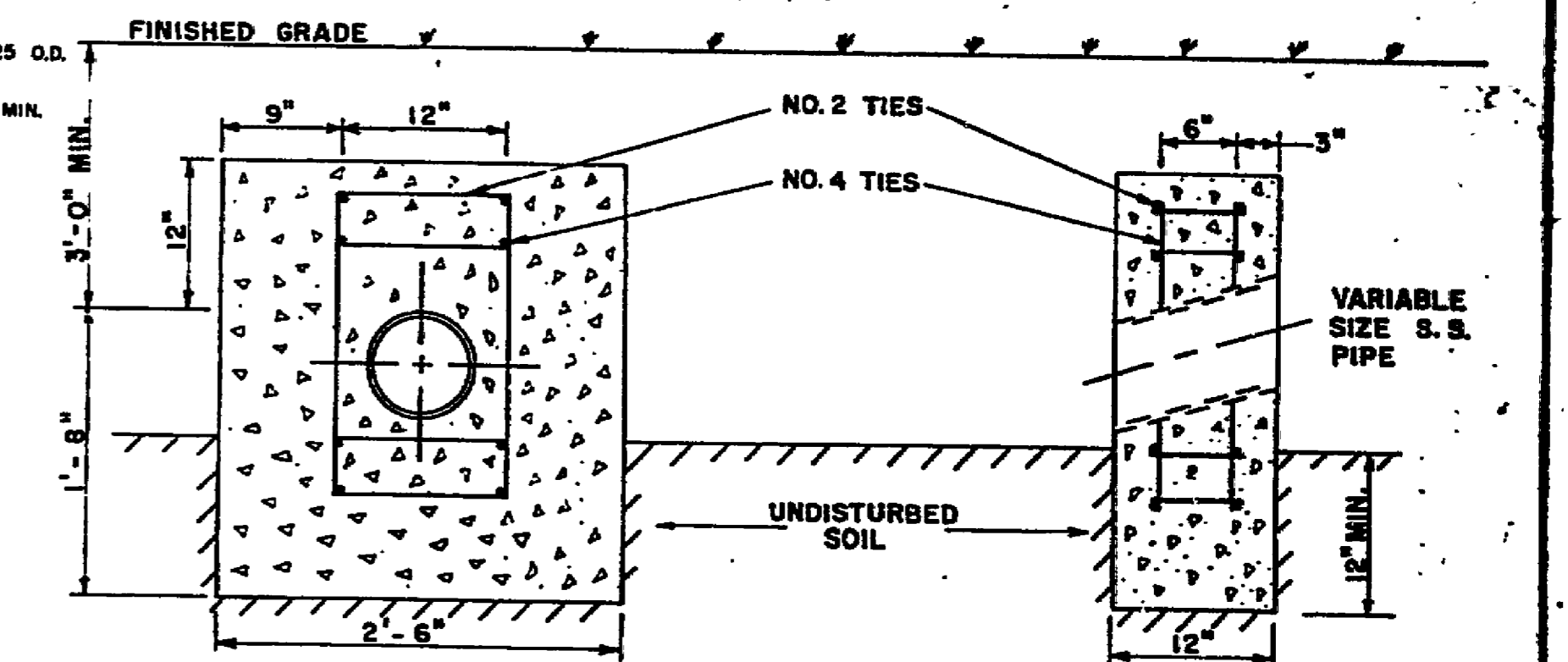
JOINING DISSIMILAR PIPE



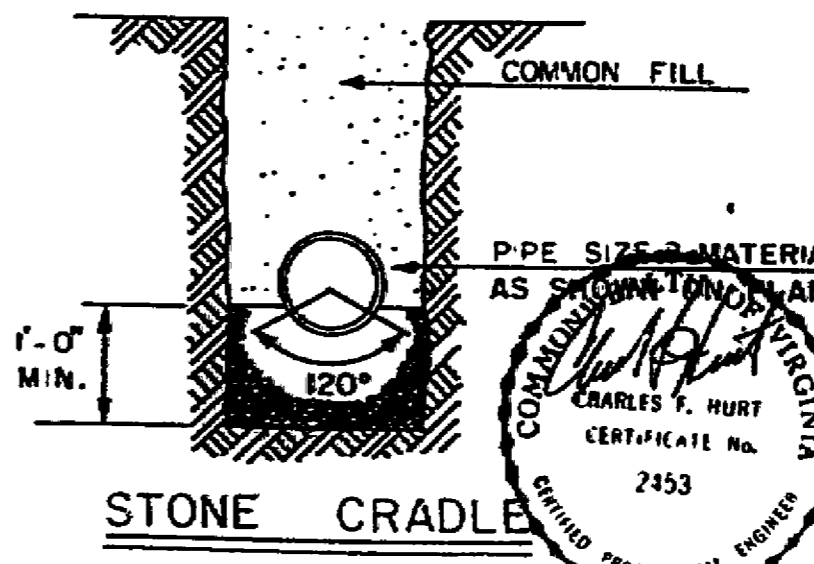
CONCRETE ENCASED PIPE



SANITARY SEWER LATERAL
SCALE: 1" = 1'-0"

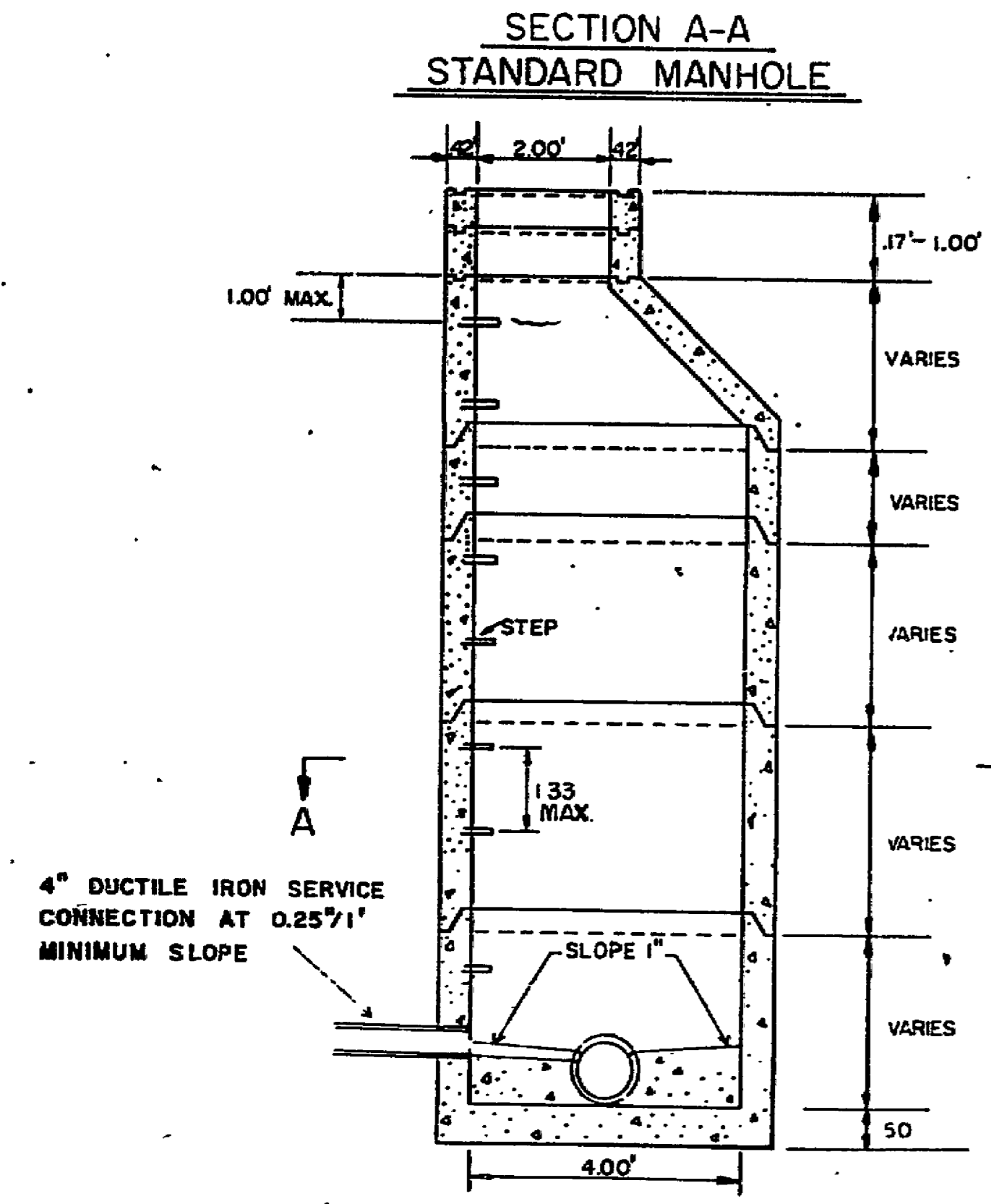


ANCHOR BLOCK
SCALE: 1" = 1'-0"

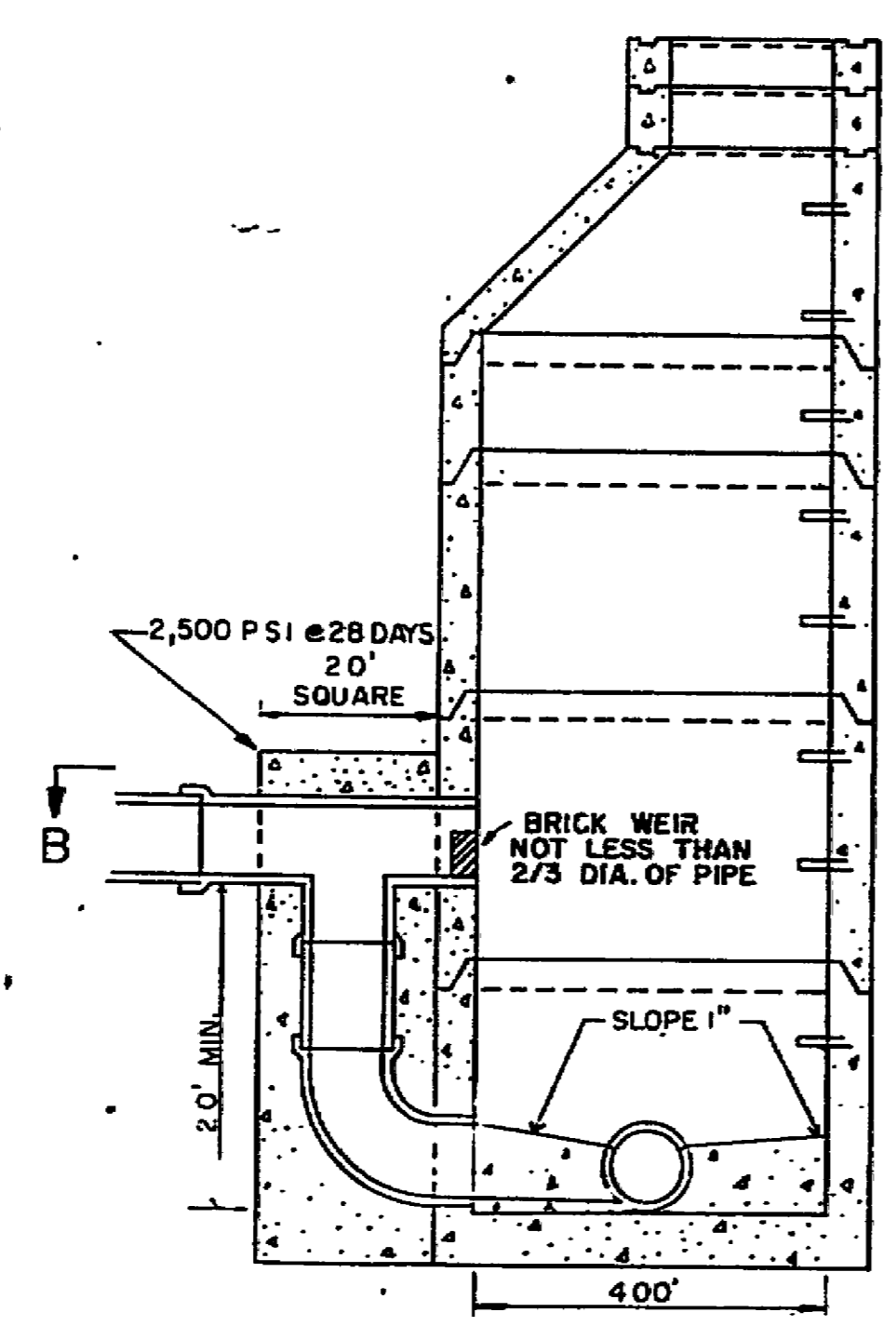


STONE CRADLE

- NOTES: (1) 6" LATERALS WILL REQUIRE A 6" X 4" WYE WITH A 4" C.O. STACK PIPE OF SIMILAR MATERIAL.
(2) FRAME AND COVER TO BE RICHMOND FOUNDRY & MANUFACTURING CO. CODE NO. E-1608.
(3) ALL MAIN LINE TAPS WILL REQUIRE A SADDLE.
(4) REDUCER, IF REQUIRED, TO BE LOCATED BETWEEN MAIN SEWER LINE AND CLEAN OUT STACK.



STANDARD MANHOLE



DROP MANHOLE

Hurt & Proffitt, Inc. Engineers - Surveyors 2524 Langhorne Rd LYNCHBURG, VA 24501		SCALE AS NOTED	DATE
CONTR. NO. 86834		DESIGN BY VMB	
C.E. NO.		FILE NO. G-574	
DRAWN BY RML		CHK BY ESE	

ROANOKE COUNTY
DEPARTMENT OF PUBLIC FACILITIES
CASTLE ROCK ROAD SEWER LINE

