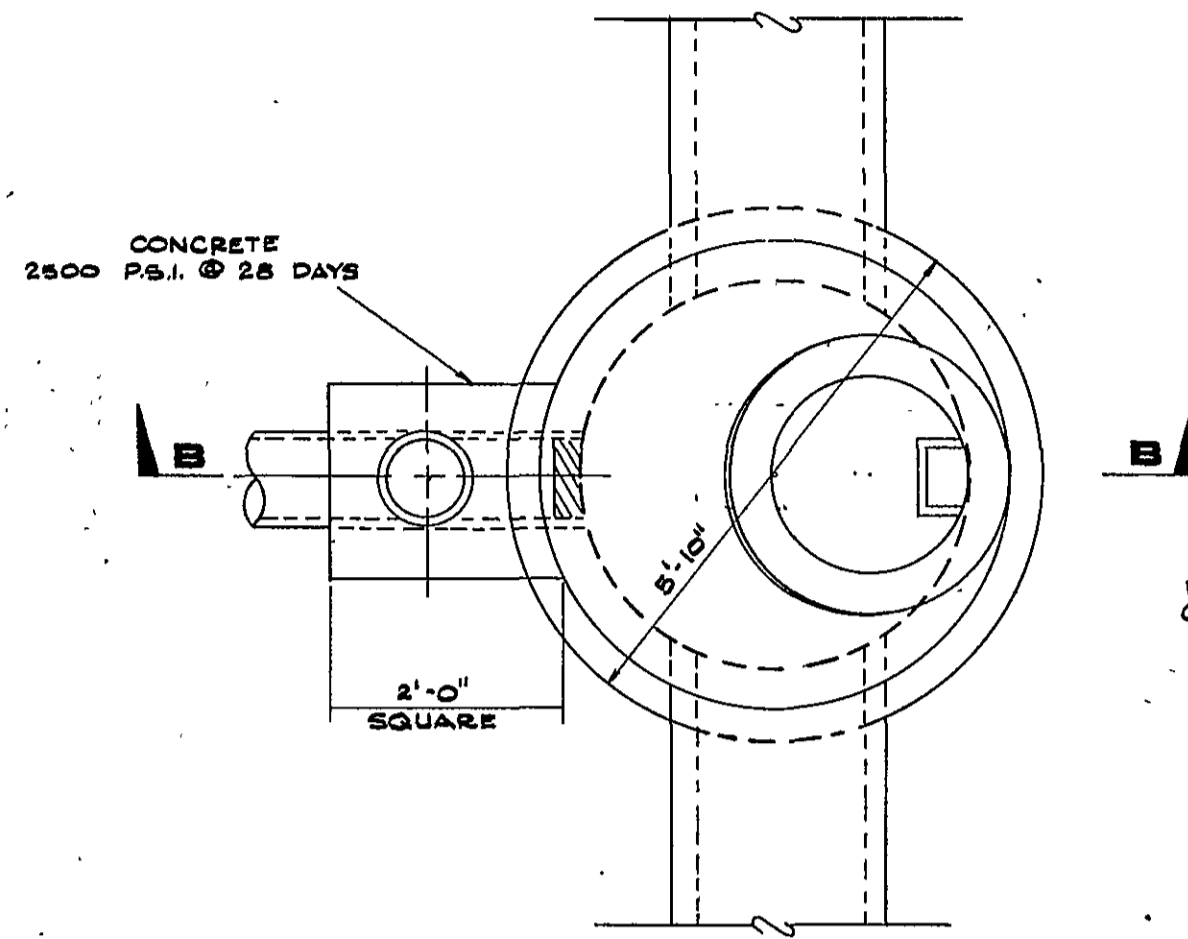
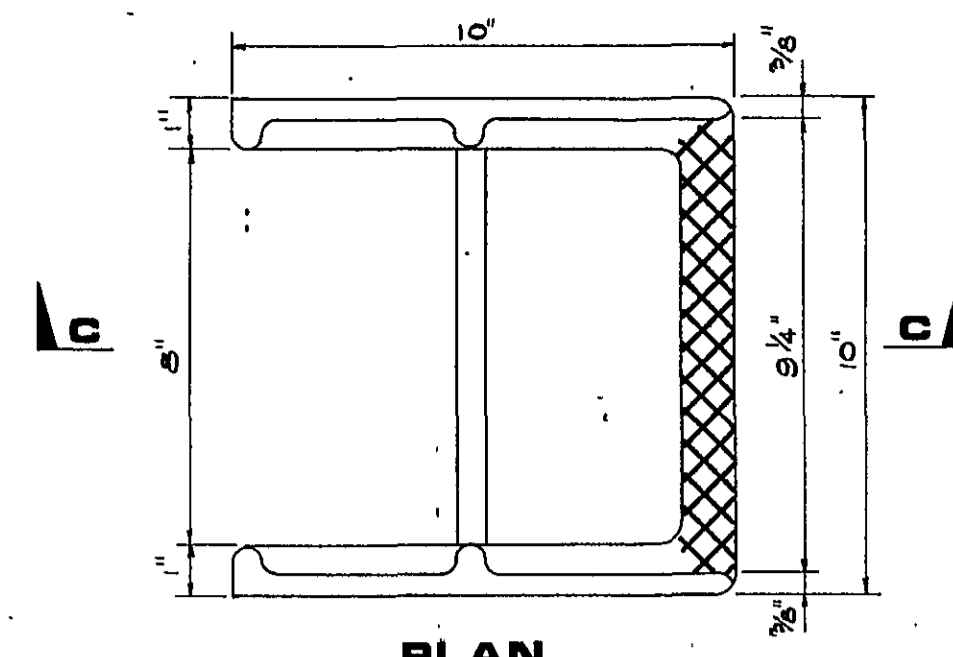


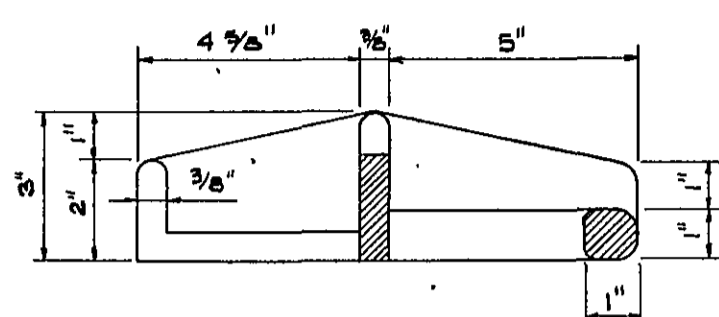
PLAN



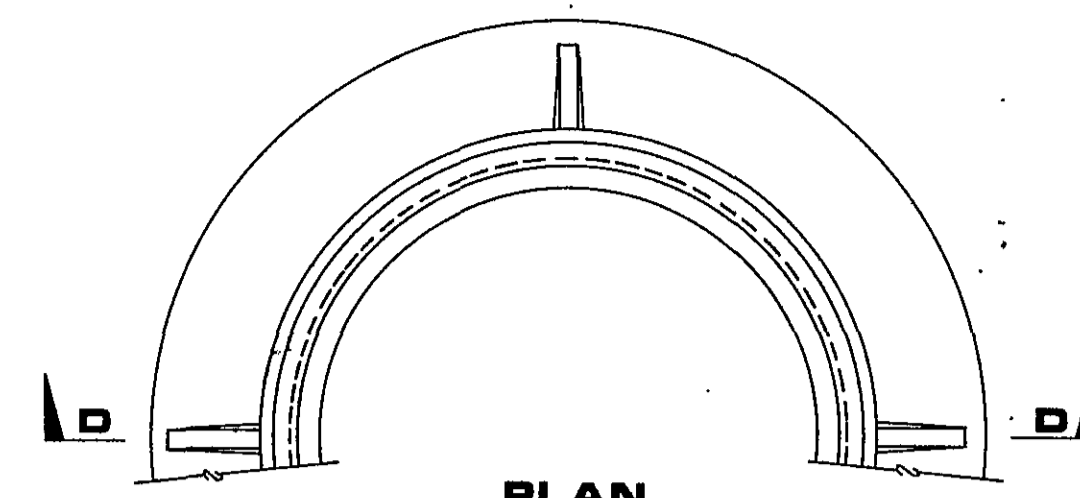
PLAN



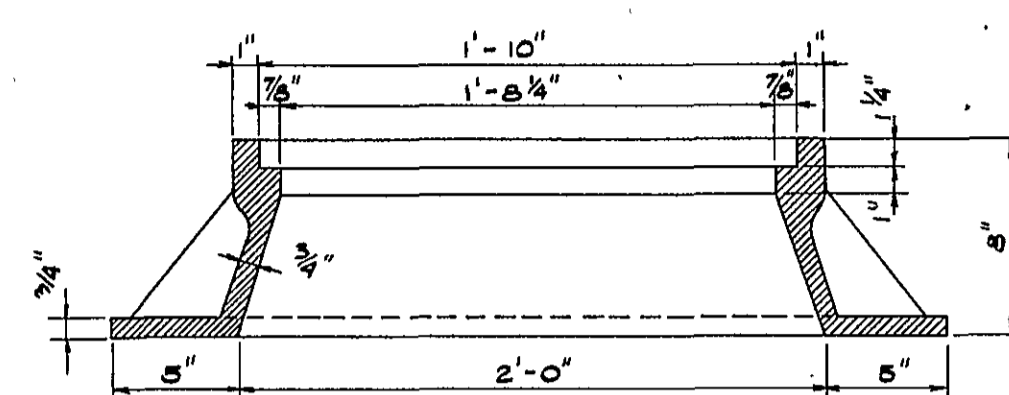
PLAN



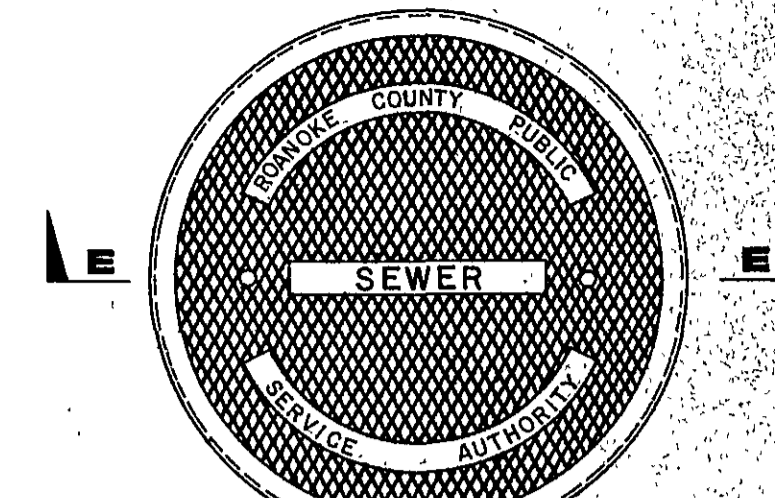
SECTION "C-C"  
CAST IRON  
MANHOLE STEPS



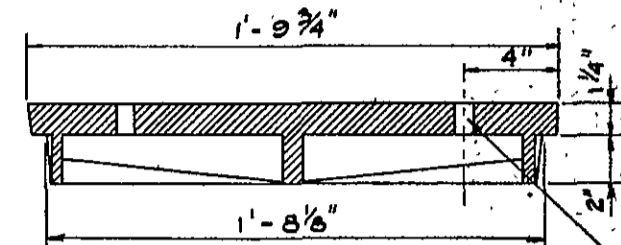
PLAN



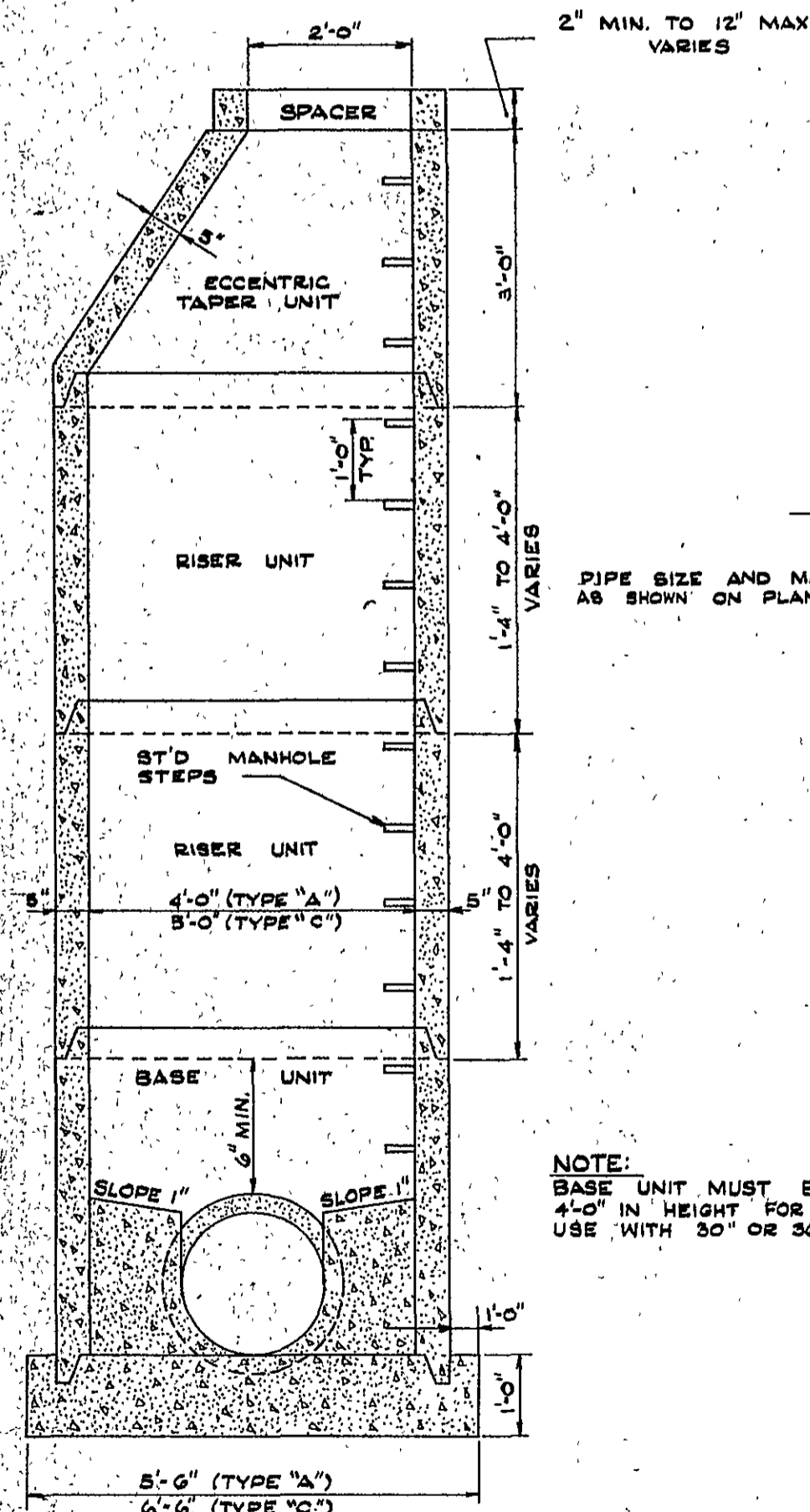
SECTION "D-D"  
STANDARD MANHOLE FRAME AND COVER



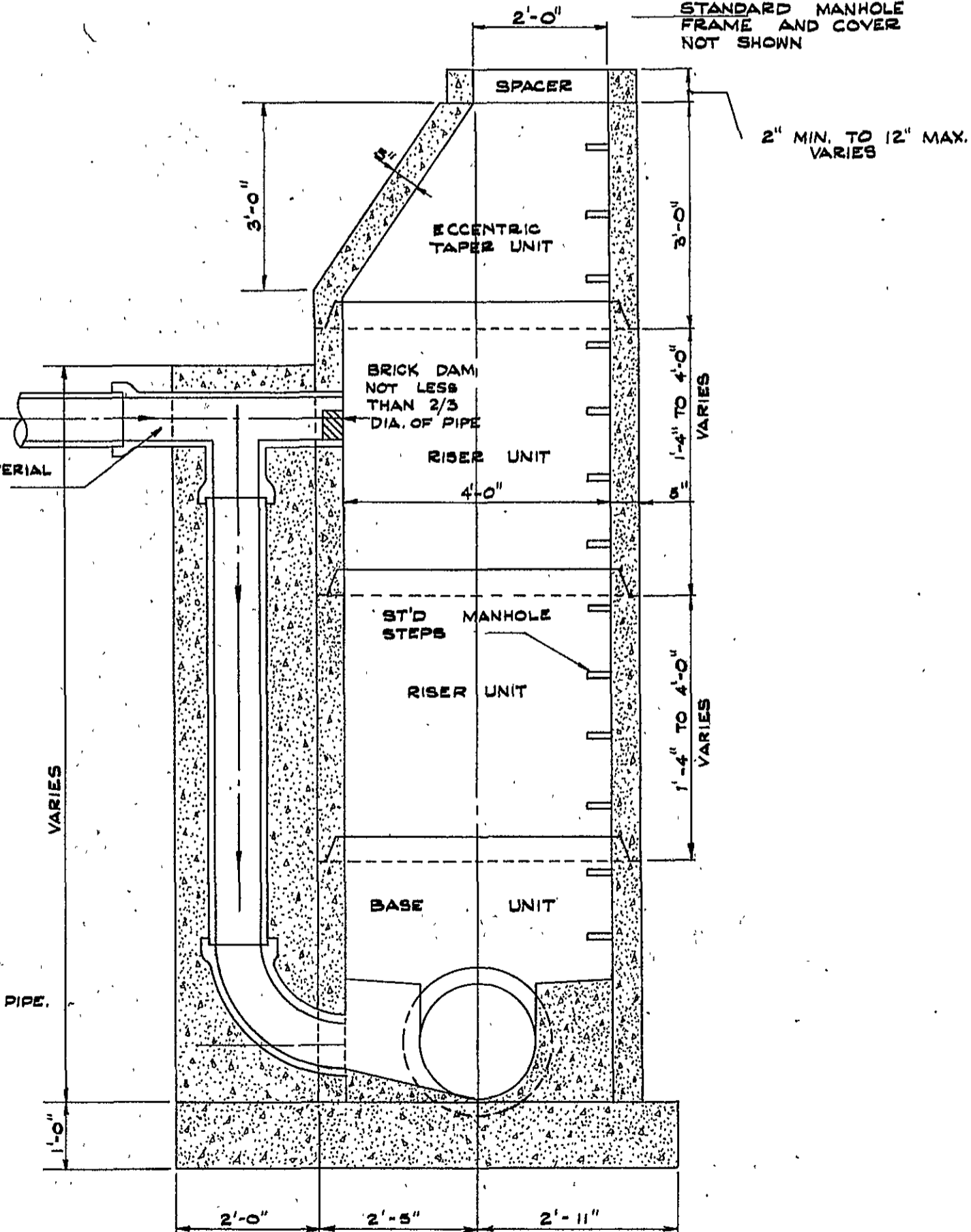
PLAN



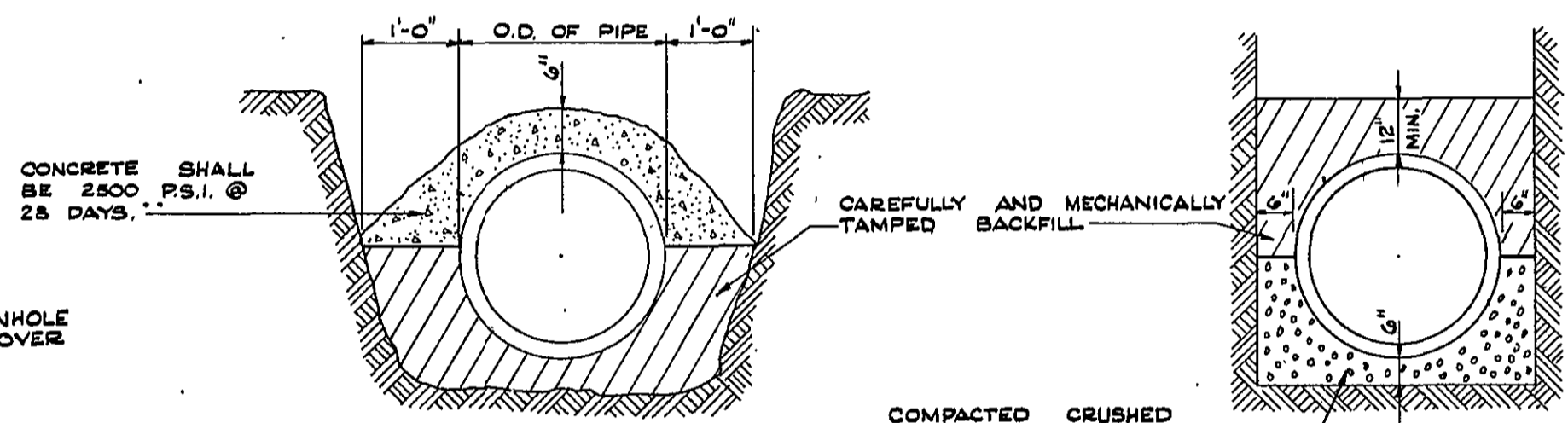
SECTION "E-E"



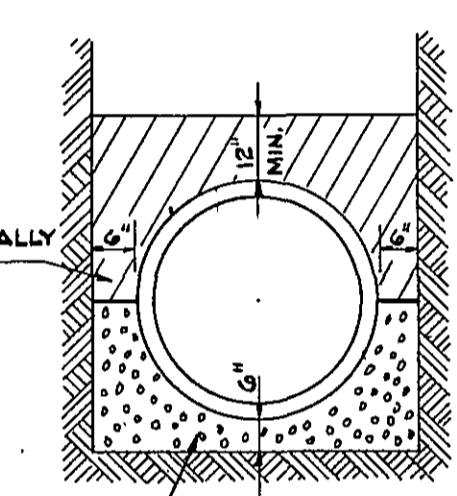
SECTION "A-A"  
STANDARD MANHOLE  
TYPE "A" and TYPE "C"



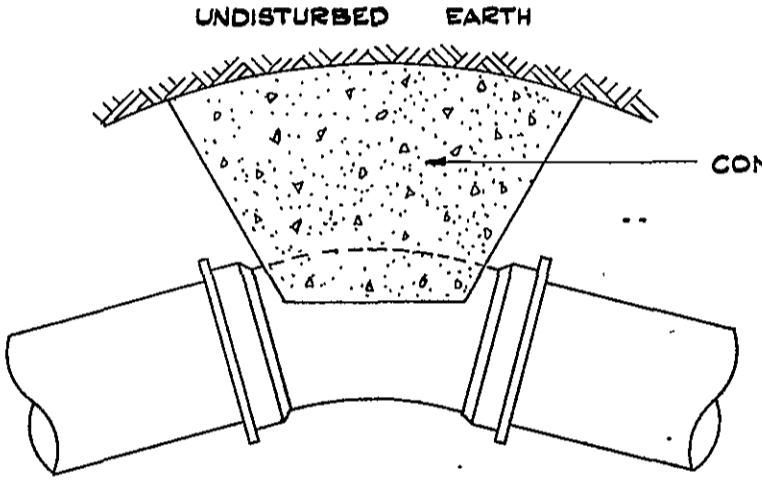
SECTION "B-B"  
DROP MANHOLE  
TYPE "B"



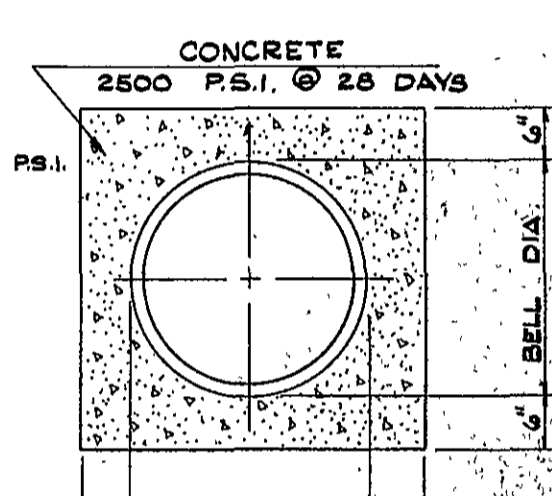
CONCRETE CAP



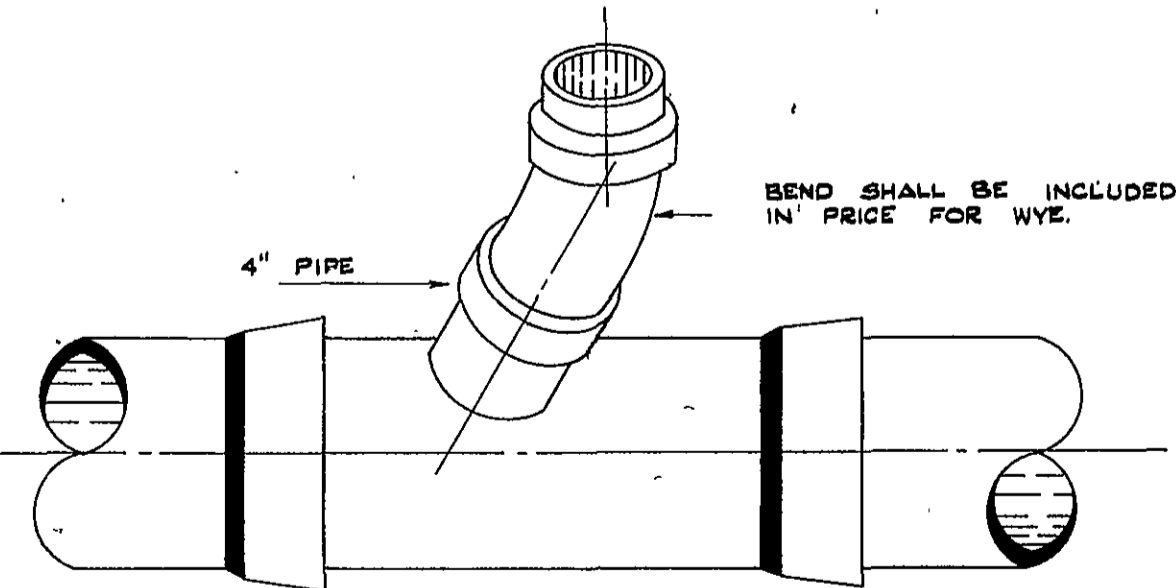
STANDARD GRAVEL  
BEDDING



THRUST BLOCK



CONCRETE ENCASED  
PIPE



SERVICE CONNECTION

NOTE: SEE PLAN FOR SEWER PIPE SIZE. HOUSE CONNECTIONS SHALL BE 4" PIPE.

ROANOKE COUNTY PUBLIC SERVICE AUTHORITY ROANOKE COUNTY, VIRGINIA		
SANITARY SEWERAGE SYSTEM FAIRWAY FOREST INTERCEPTOR PROJECT No. 73-1-S DETAILS		
DES: W.H.C.	LANGLEY, McDONALD and OVERMAN CONSULTING ENGINEERS NORFOLK, VIRGINIA	SCALE: NONE
DR: K.D.B.		DATE: SEPT. 1975
CK: W.E.C.		SHEET 6 OF 6