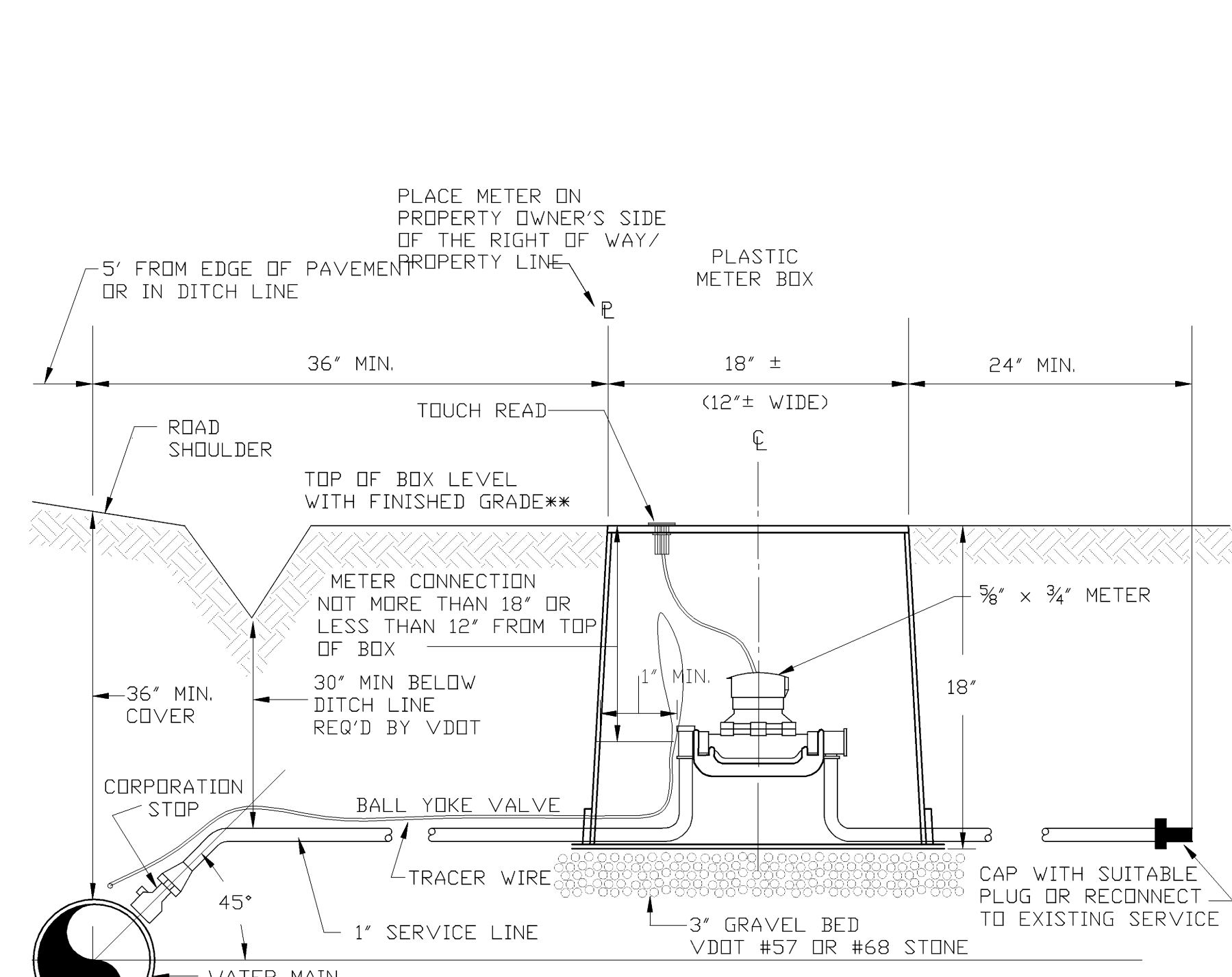
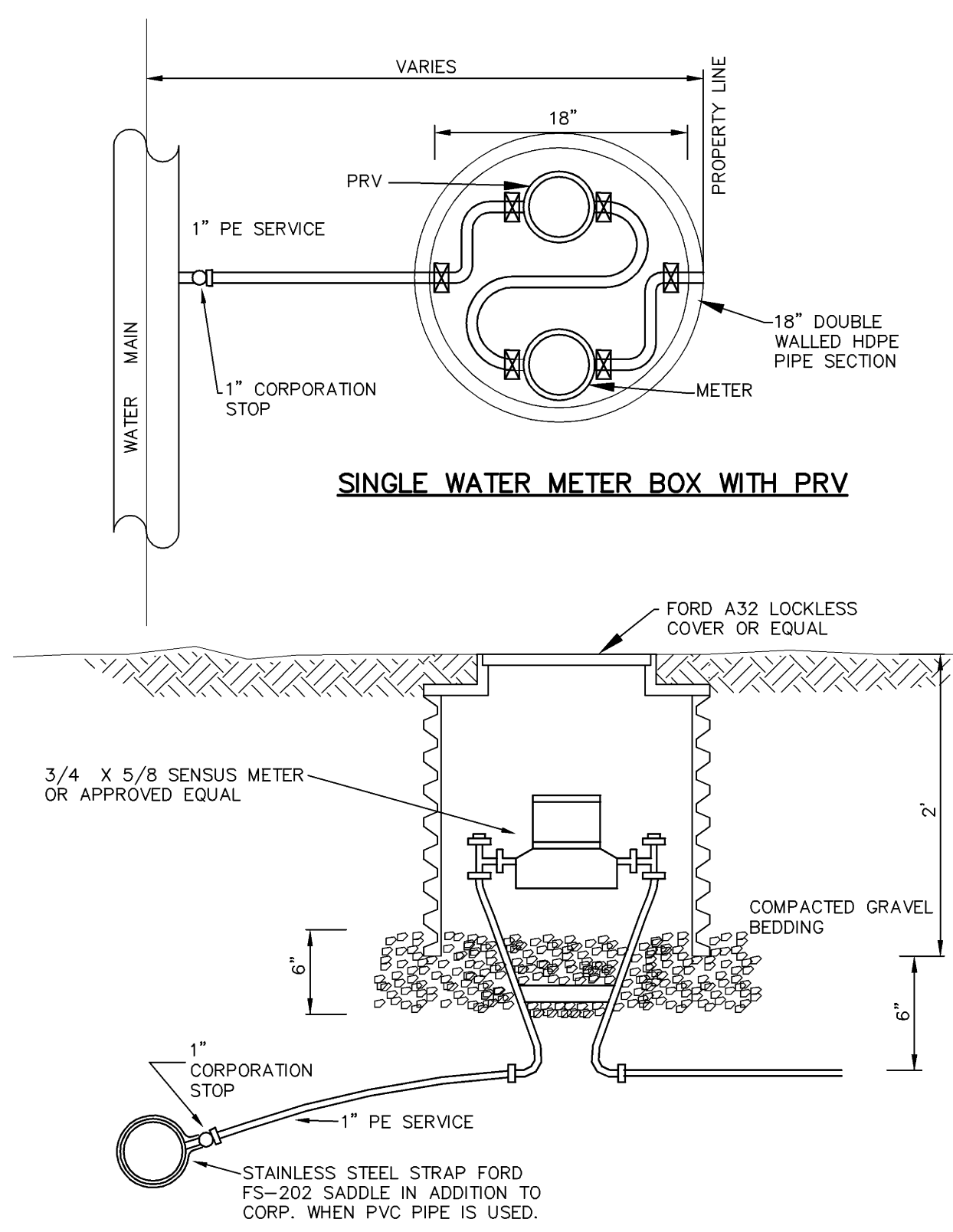


3-PIECE VALVE BOX INSTALLATION
N.T.S.



STANDARD 5/8\"/>



SINGLE WATER METER BOX WITH PRV

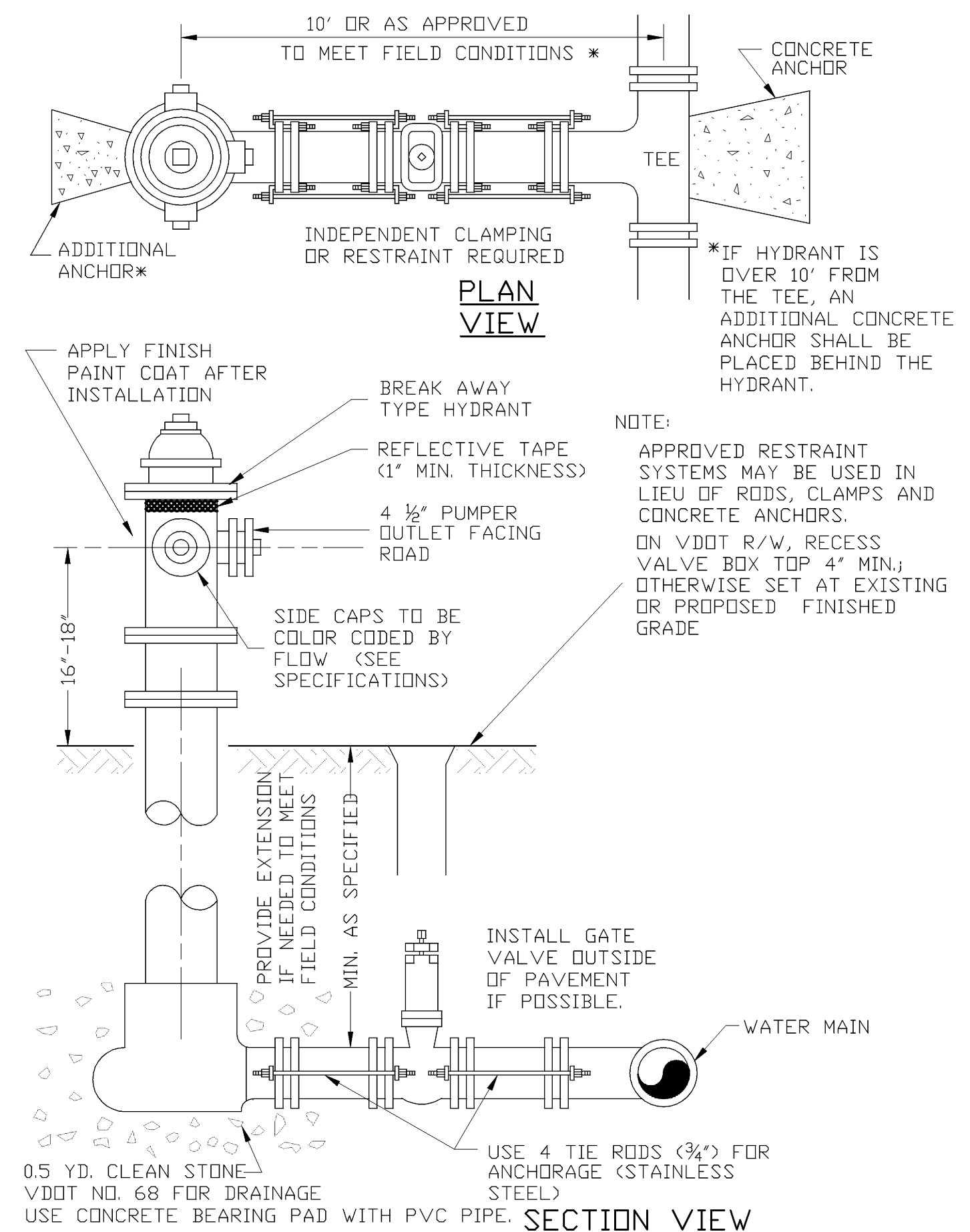
METER MATERIALS LIST

- METER BOX EQUAL TO 18" DOUBLE WALLED HDPE PIPE SECTION W/ FORD A32 LOCKLESS LID
- METER SETTER MUST BE FORD VBH 71-81 OR APPROVED EQUAL
- METER MUST BE SENSUS POSITIVE DISPLACEMENT METER OR APPROVED EQUAL.
- CORPORATION STOP MUST BE FORD F-1000 OR APPROVED EQUAL.
- SERVICE LINE MUST BE 200 PSI TUBING.
- FOR 1" METERS ALL FITTINGS & COMPONENTS MUST BE UPSIZED TO 1"
- METAL INSERTS REQUIRED IN TUBING AT ALL FITTINGS.

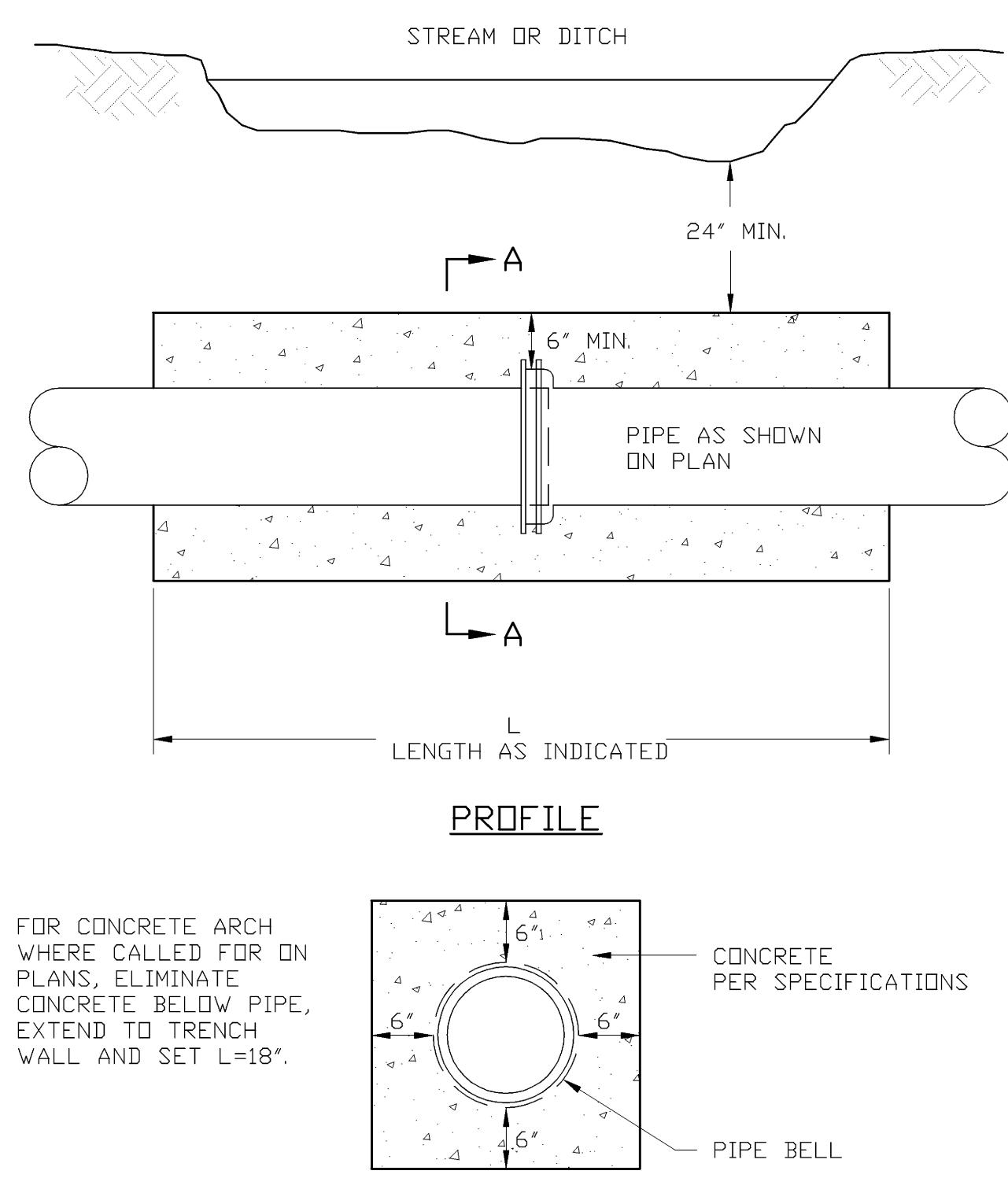
WATER METER INSTALLATION, 5/8" & 1"
N.T.S.

NOTES

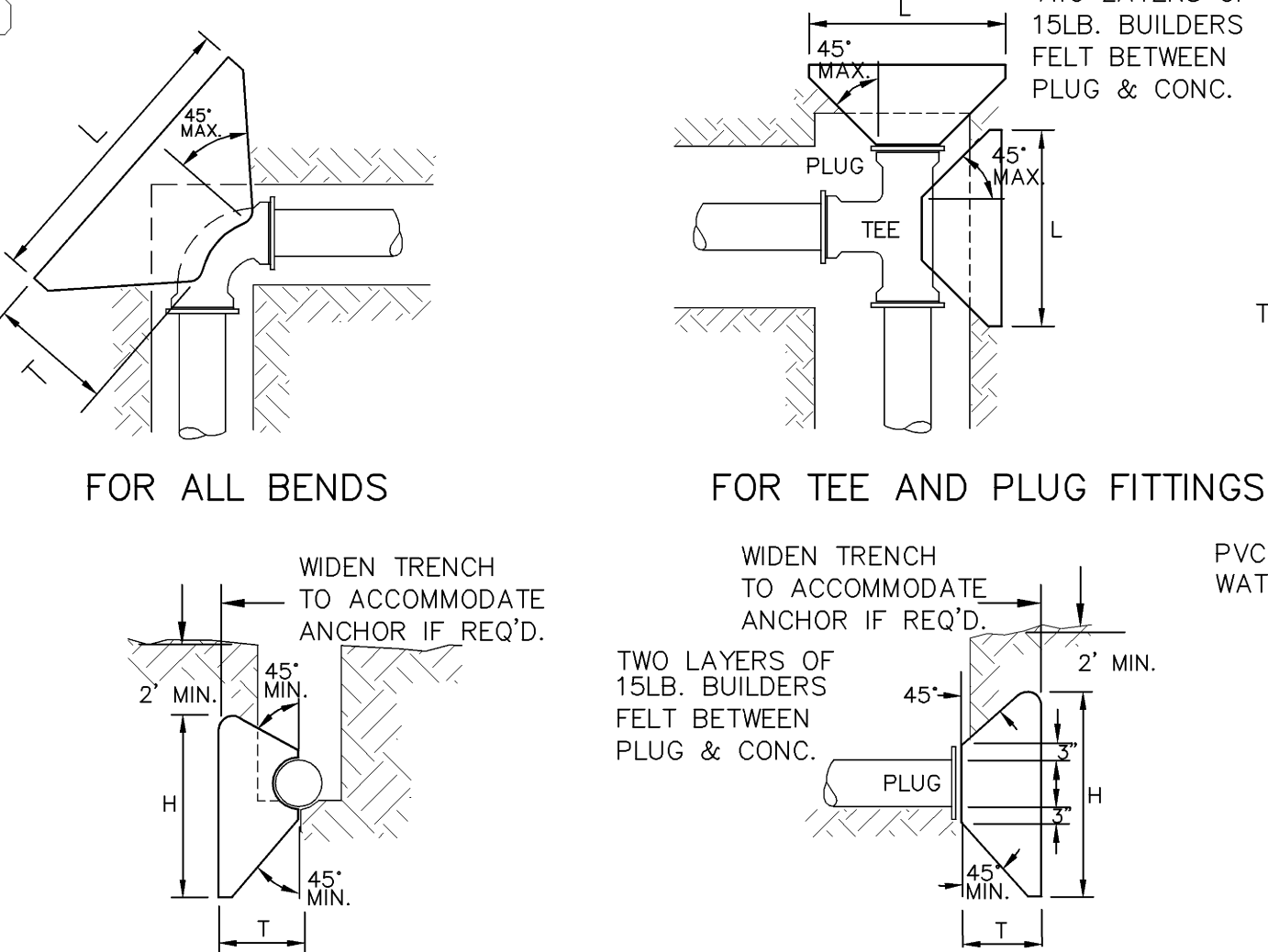
- SINGLE-PIECE COLLAR SHOWN; 2-PIECE COLLAR USED FOR CARRIER PIPES 18" OR LARGER.
- DIMENSION AS NECESSARY TO PROVIDE MINIMUM CLEARANCE NEEDED TO SLIDE PIPE THROUGH CASING.
- THIS STANDARD APPLICABLE FOR 4" DIA. AND LARGER PIPE INSTALLED UNDER PRIMARY AND SECONDARY HIGHWAYS. FOR LINES SMALLER THAN 4", USE DUCTILE IRON PIPE FOR CASING AND MODIFY INSTALLATION ACCORDINGLY.
- CORRUGATED METAL PIPE SHALL NOT BE USED AS CASING.



FIRE HYDRANT INSTALLATION
N.T.S.



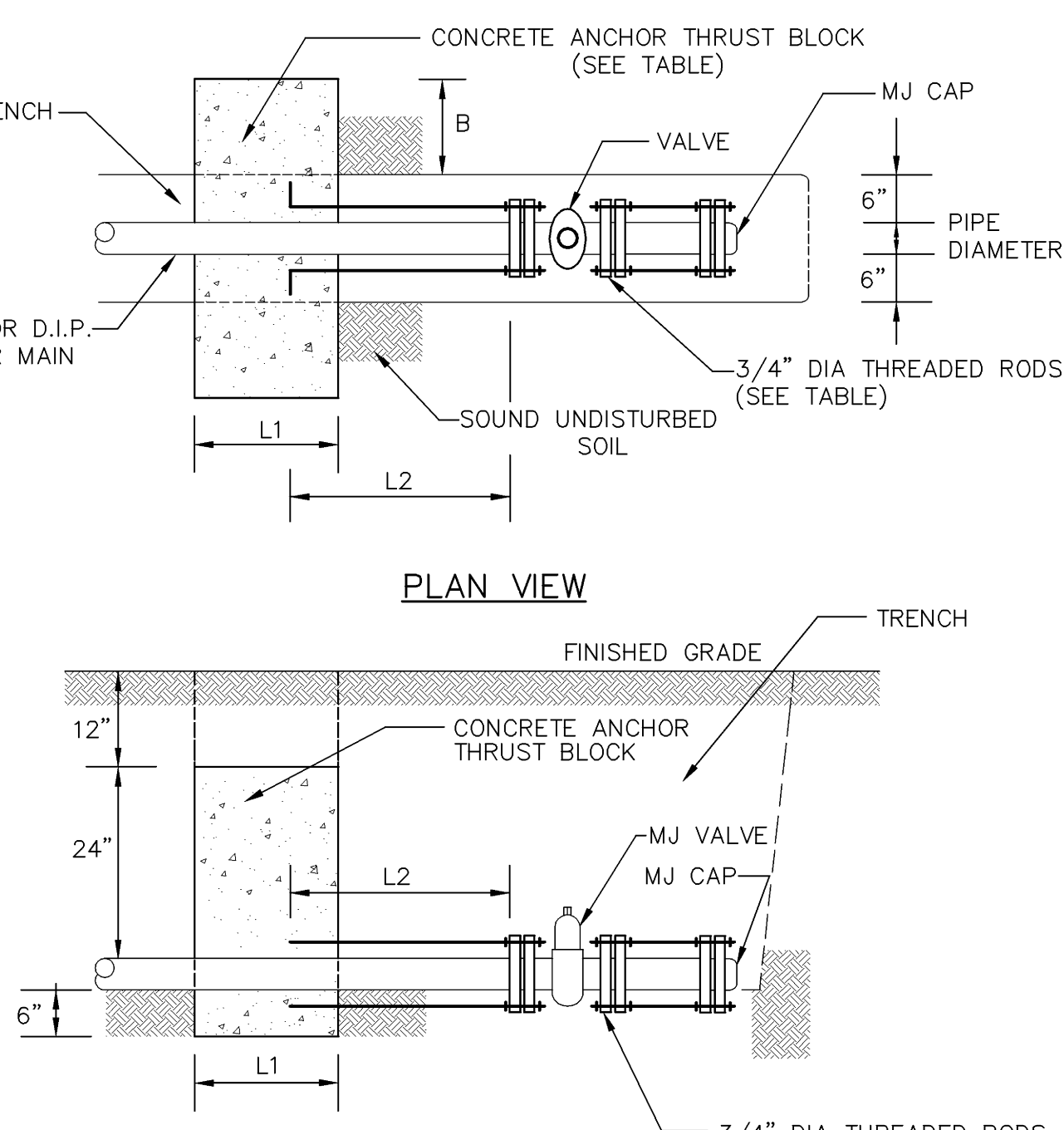
SECTION A-A
CONCRETE ENCASEMENT
N.T.S.



SECTION FOR BEND AND TEE ANCHORS **SECTION FOR PLUG ANCHORS**

TYPE "F" ANCHOR BLOCK FOR 250 PSI WORKING PRESSURE						
TYPE FITTING	PIPE SIZE, INCH	DIMENSIONS (FT)			VOL. CONC. CU. YARDS	
		L	H	T		
90°	4	2.33	2.33	2.81	0.19	
45°	4	1.33	1.83	2.42	0.08	
22.5°	4	1.33	1.83	2.35	0.07	
11.25°	4	1.33	1.83	2.33	0.07	
TEE	4	1.83	2.08	2.33	0.11	
PLUG	4	1.83	2.08	2.33	0.11	
90°	6	3.50	3.00	3.01	0.41	
45°	6	2.50	2.50	2.60	0.21	
22.5°	6	1.50	2.00	2.52	0.10	
11.25°	6	1.50	2.00	2.50	0.10	
TEE	6	3.00	2.75	2.50	0.26	
PLUG	6	3.00	2.75	2.50	0.26	
90°	8	4.75	3.74	3.21	0.71	
45°	8	3.66	3.16	2.77	0.42	
22.5°	8	2.40	2.41	2.69	0.19	
11.25°	8	1.80	2.16	2.67	0.13	
TEE	8	4.16	3.41	2.66	0.49	
PLUG	8	4.16	3.41	2.66	0.49	

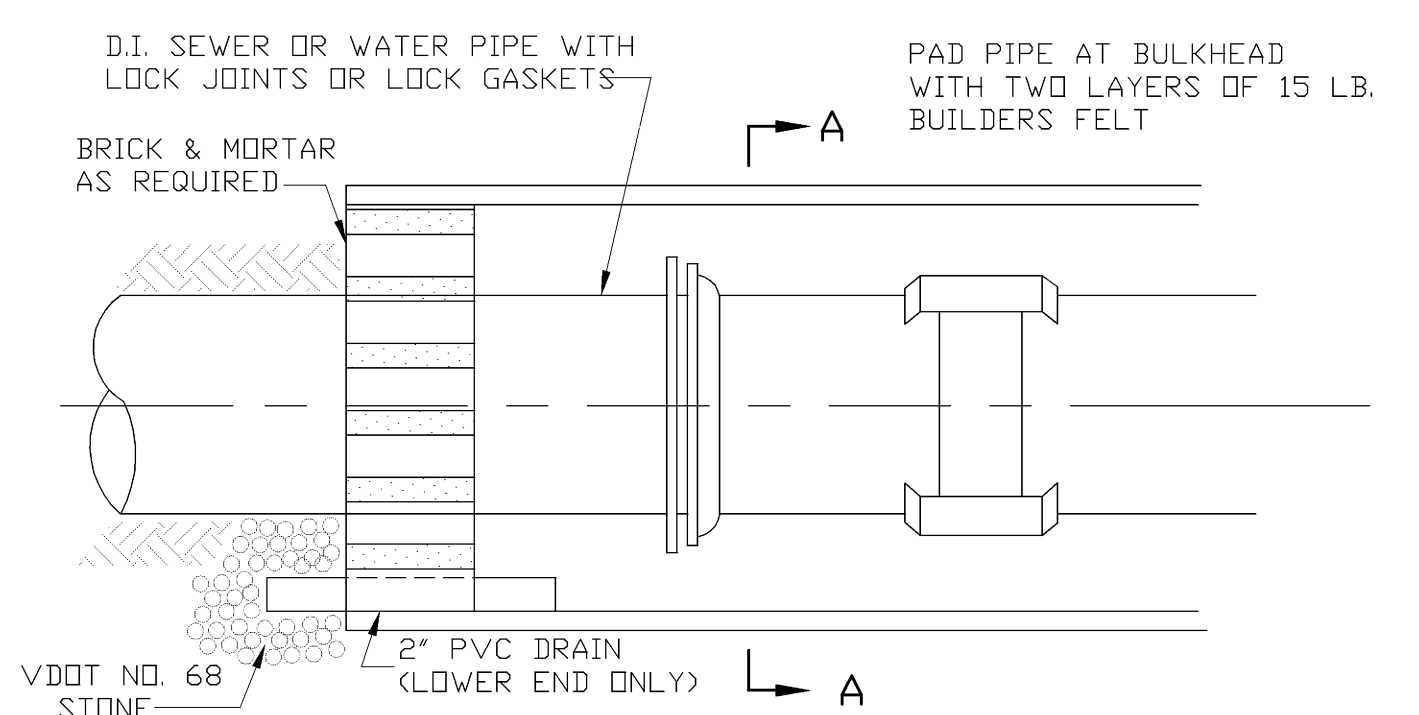
CONCRETE ANCHOR BLOCK
N.T.S.



SECTION VIEW
RETAINER GLAND FOR PVC PIPE SHALL BE SERIES 2000 PV, AND FOR DIP PIPE SERIES 100, BY EBAA IRON SALES, INC. "MEGA-LUG" OR APPROVED EQUAL

PIPE DIAMETER (IN)	B MIN (IN)	L1 MIN (IN)	NUMBER OF RODS PER RETAINER	L2 MIN (IN)
4-8	12	18	4	27
10-12	27	33	4	50
14-16	44	50	6	75

WATERLINE BULKHEAD ANCHOR DETAIL CA-4
N.T.S.



SEALED CASINGS INSTALLATION
N.T.S.

PROJECT NO.	20080815
G.L. NO.	297-03-A3.9
FILE NO.	G-12675
DATE:	7/31/09
DRAWN BY:	WCH
CHECKED BY:	BLC

1	8/28/09	VDH COMMENTS
2	9/3/09	OWNER COMMENTS
4	3/14/12	ASBUILTS