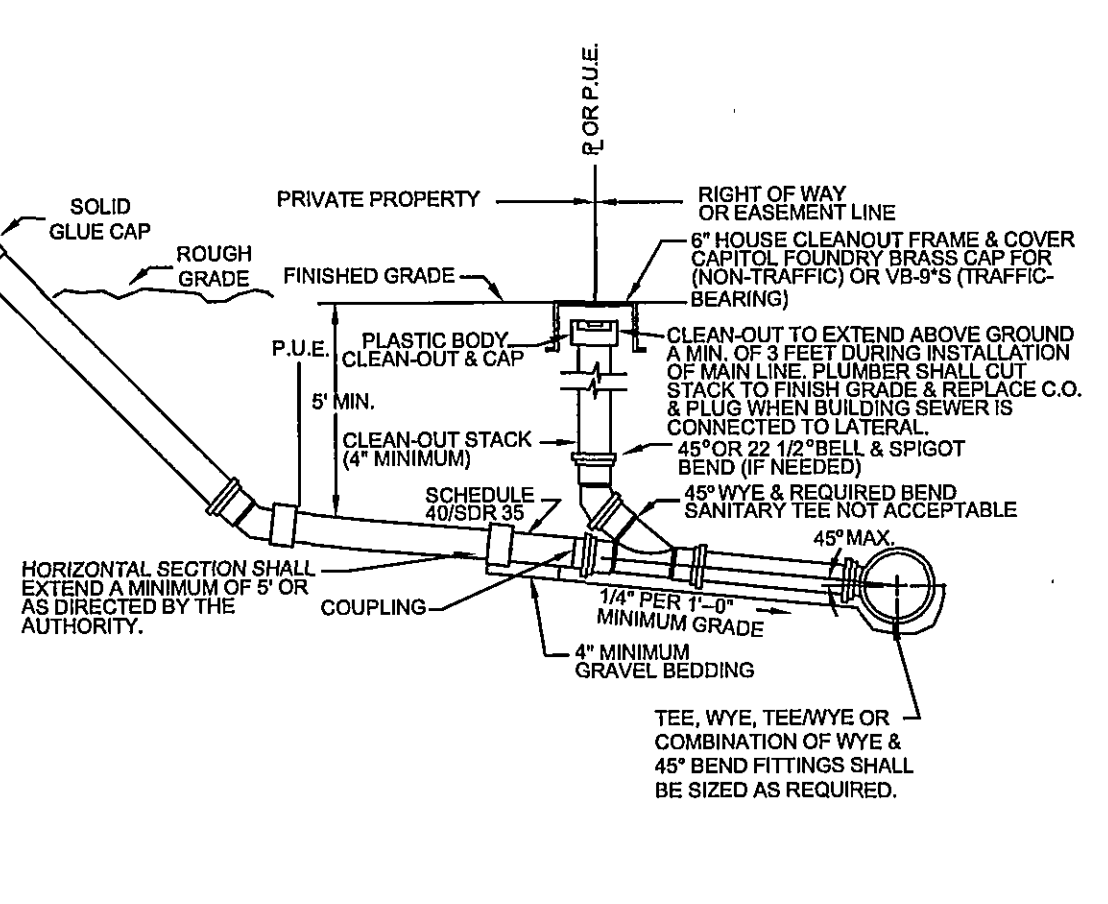
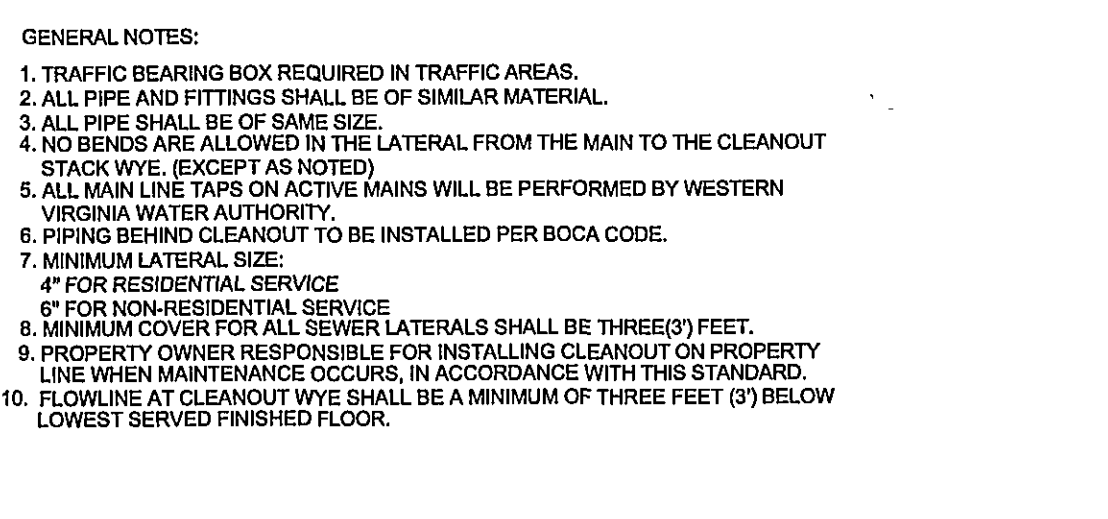
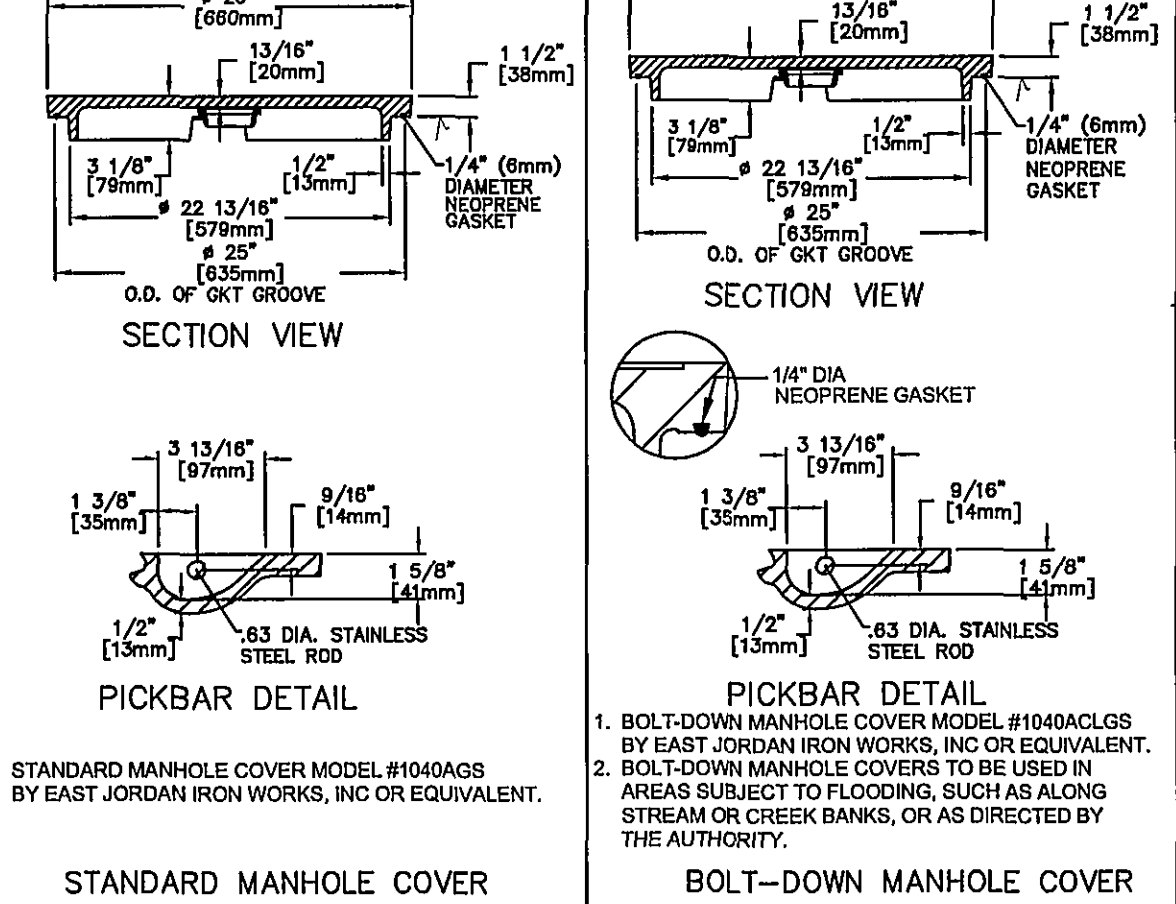
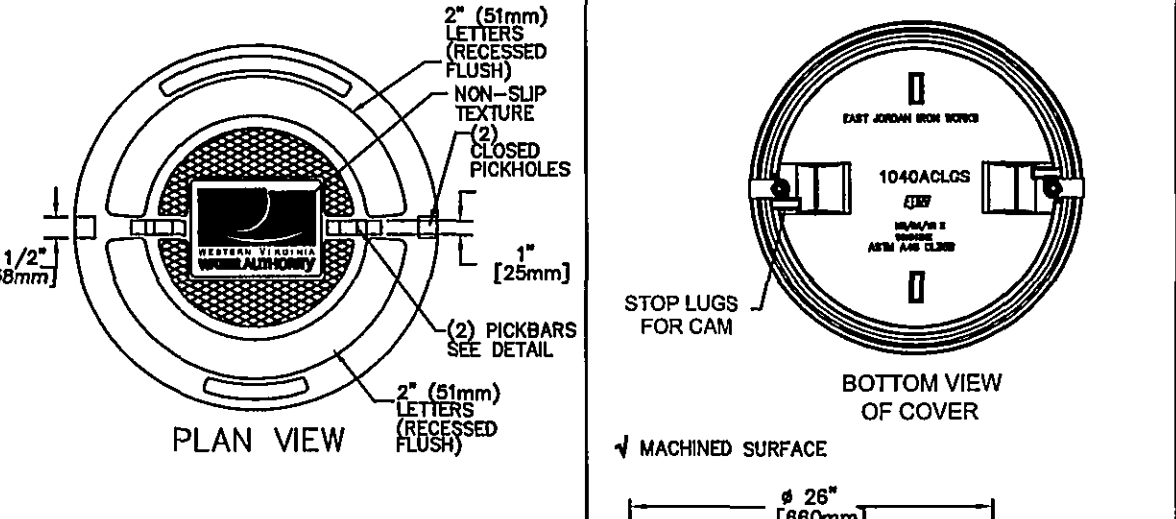
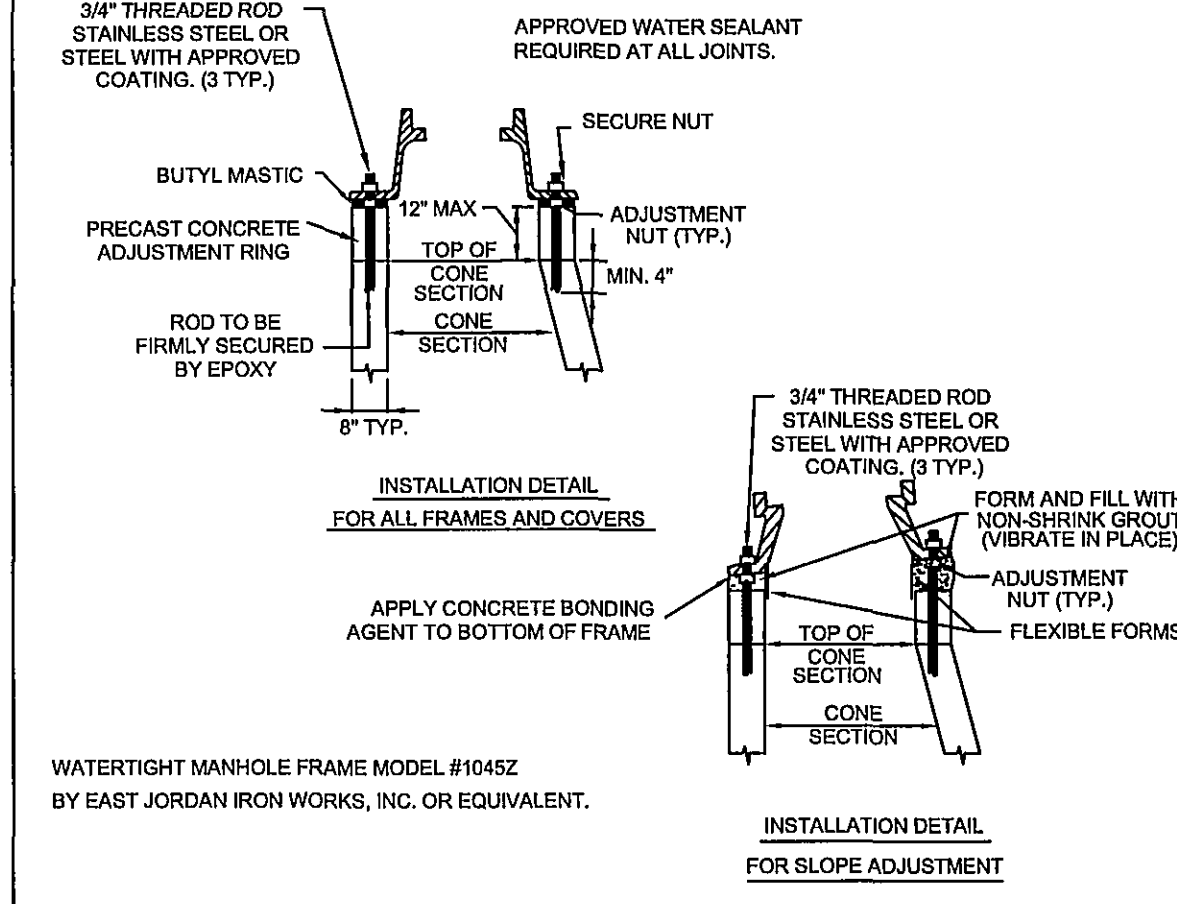
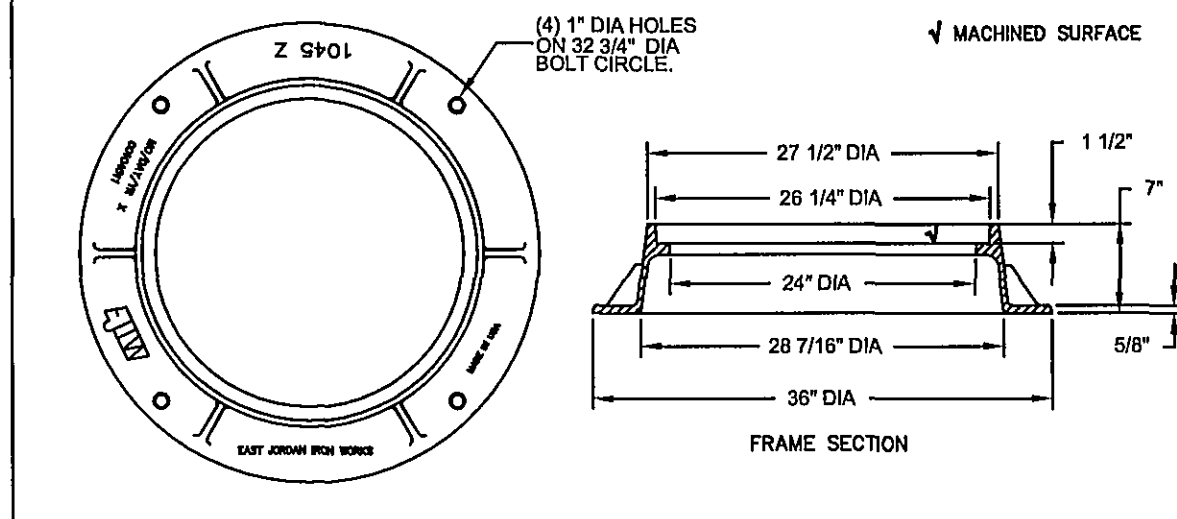
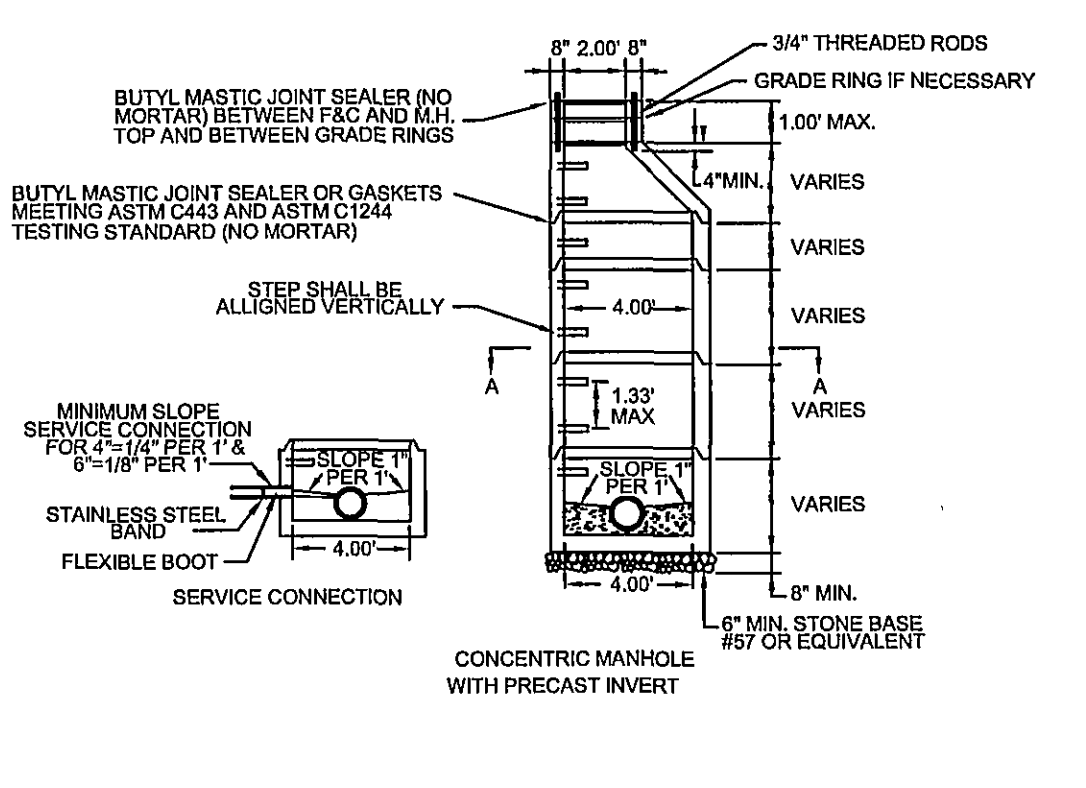
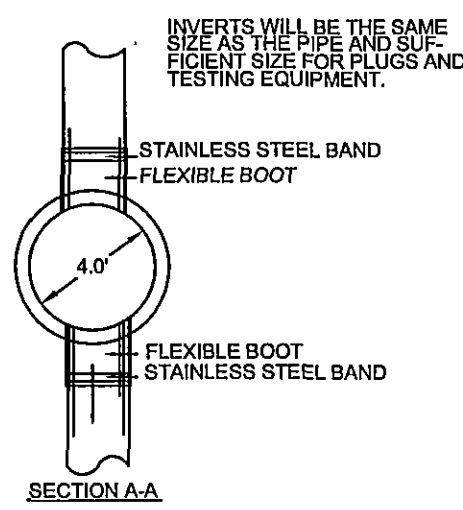
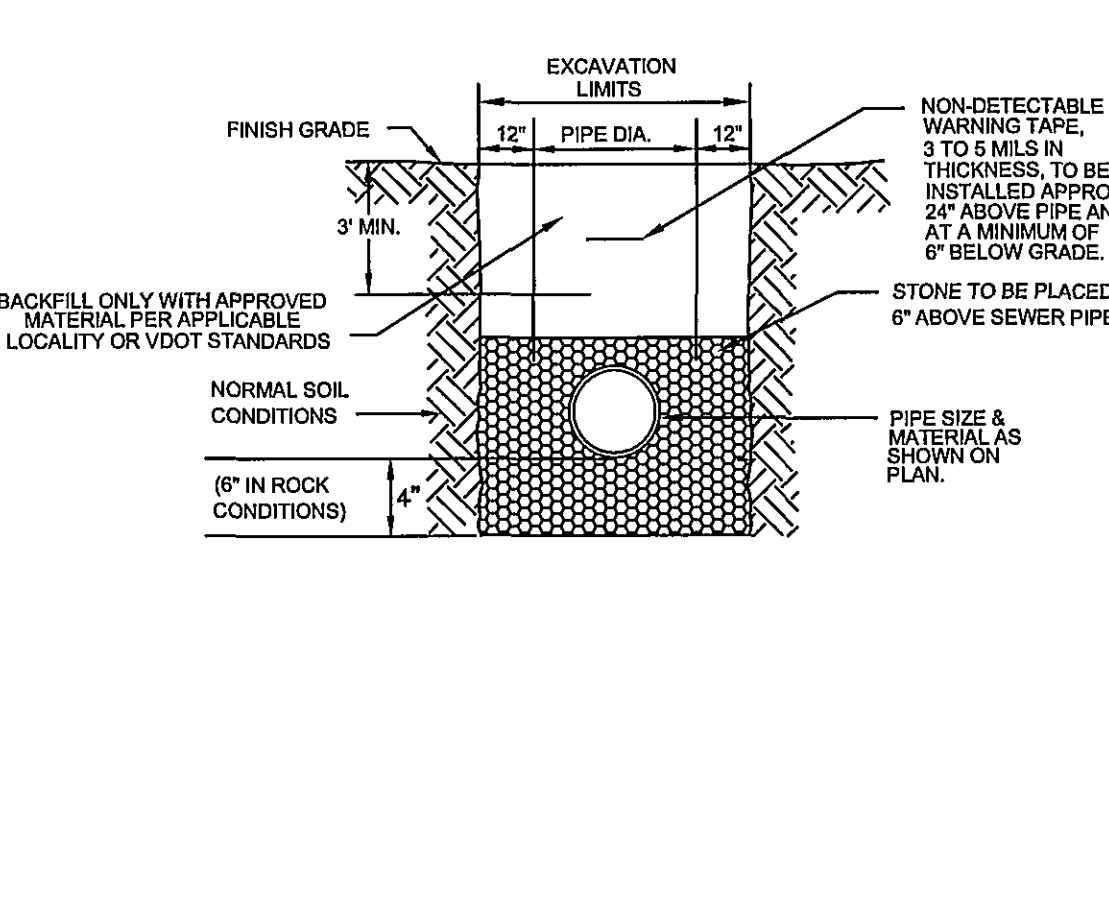


- NOTES:
1. ALL MANHOLE FRAMES AND COVERS SHALL BE EAST JORDAN IRON WORKS, INC. WATERTIGHT MANHOLE FRAME MODEL #1045Z. WATERTIGHT COVER MODEL #1040ACLS OR APPROVED EQUAL. SIZE AS THE PIPE AND SURE FIT SIZE FOR PLUGS AND TESTING EQUIPMENT.
  2. STEPS TO BE VERTICALLY ALIGNED.
  3. THE FRAME AND COVER SHALL BE PROPERLY ALIGNED WITH THE 2 FOOT OPENING OF THE MANHOLE STRUCTURE AND BAKED IN PLACE.
  4. FLAT TOP MANHOLES MAY ONLY BE SUBSTITUTED WITH THE PERMISSION OF THE UTILITY DIRECTOR. WHEN USED, THE ECCENTRIC OPENING MUST LINE UP WITH THE STEPS.
  5. SAMPLING MANHOLES IN TRAFFIC AREAS SHALL BE CONSTRUCTED AS PER MANHOLE DETAILS.
  6. FLEXIBLE JOINT MANHOLE CONNECTION SHALL BE AS MANUFACTURED BY PRES-SEAL GASKET CORPORATION OR EQUAL.
  7. GROUT ANNUAL SPACE BETWEEN PIPE AND PRECAST MANHOLE ON INSIDE OF MANHOLE.



- NOTES:
1. BEDDING, HAUNCHING AND INITIAL BACKFILL CONSTRUCTION SHALL BE IN ACCORDANCE WITH MANUFACTURER'S RECOMMENDATION.
  2. ALL PVC PIPE SHALL BE BEDDED IN COMPACTED VDOT #57 OR #68 STONE.
  3. IN AREAS NOT SUBJECTED TO VEHICULAR TRAFFIC, BEDDING STONE AND FILL SHALL BE PLACED IN 6\"/>



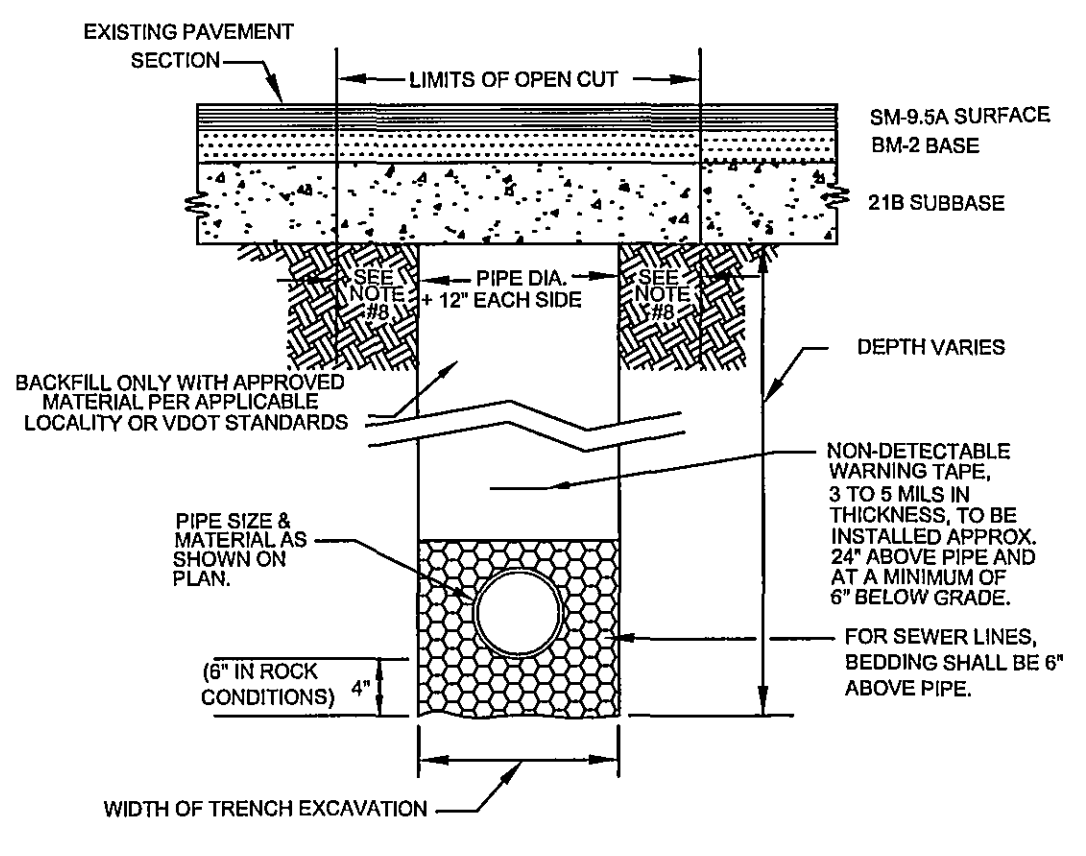
WESTERN VIRGINIA WATER AUTHORITY -- CONSTRUCTION STANDARDS	
REVISION DATE	DESCRIPTION
07/01/04	4' STANDARD MANHOLE FOR PIPE 15\"/>
03/01/08	

WESTERN VIRGINIA WATER AUTHORITY -- CONSTRUCTION STANDARDS	
REVISION DATE	DESCRIPTION
07/01/04	WATERTIGHT MANHOLE FRAME
03/01/08	

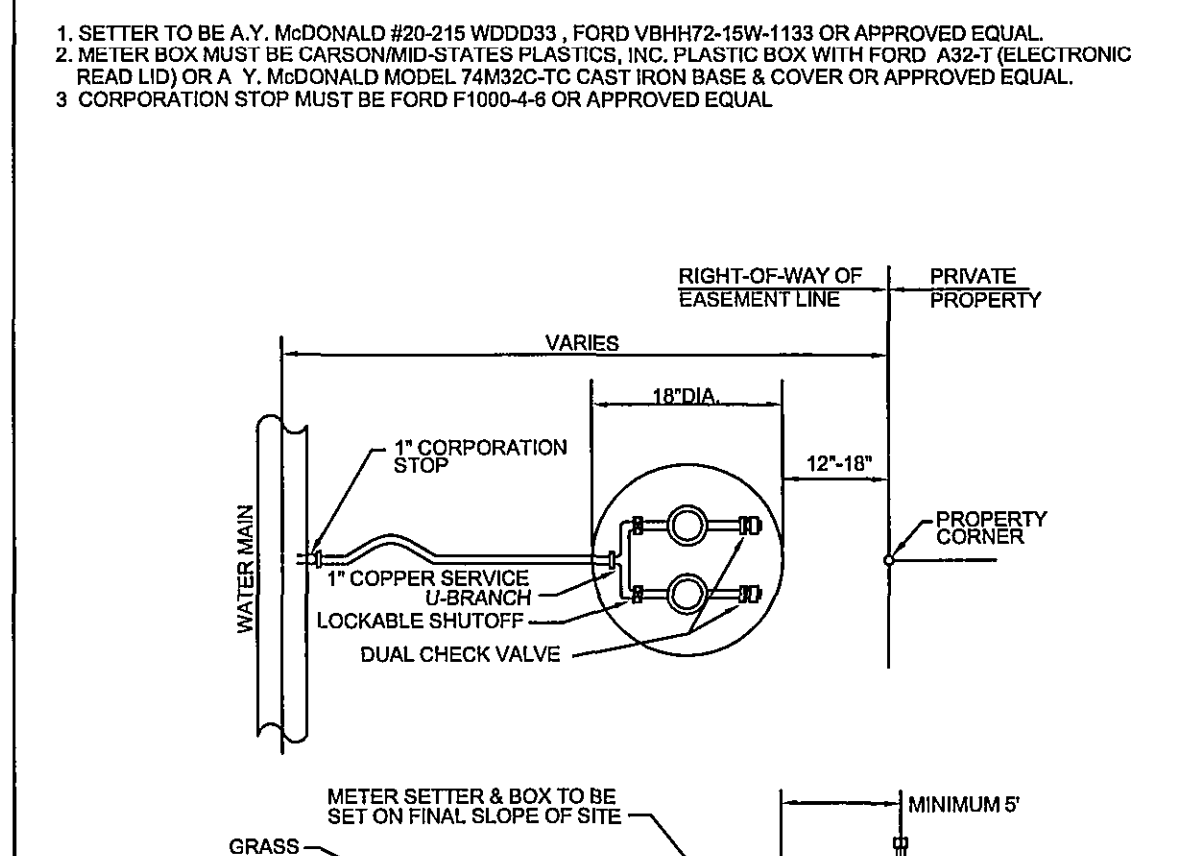
WESTERN VIRGINIA WATER AUTHORITY -- CONSTRUCTION STANDARDS	
REVISION DATE	DESCRIPTION
07/01/04	WATERTIGHT MANHOLE COVER
03/01/08	

WESTERN VIRGINIA WATER AUTHORITY -- CONSTRUCTION STANDARDS	
REVISION DATE	DESCRIPTION
07/01/04	SANITARY SEWER LATERAL
03/01/08	

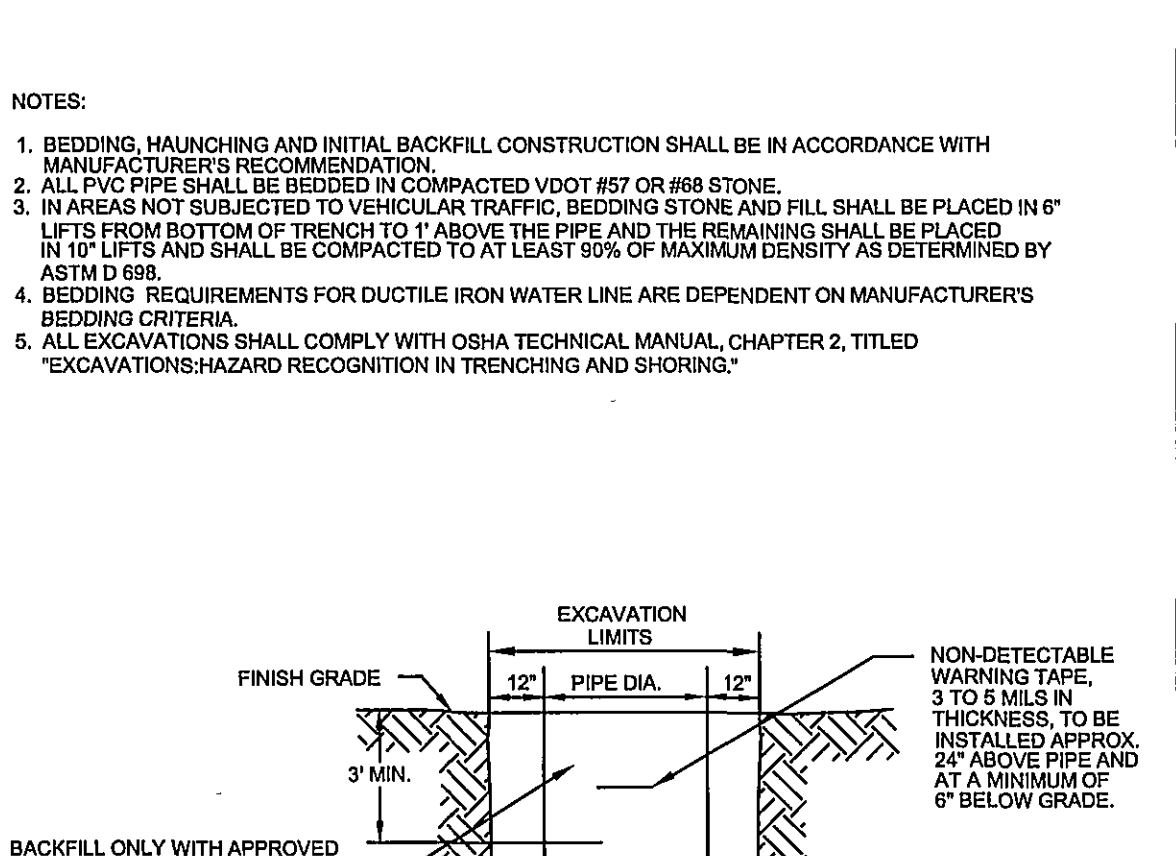
WESTERN VIRGINIA WATER AUTHORITY -- CONSTRUCTION STANDARDS	
REVISION DATE	DESCRIPTION
07/01/04	BEDDING AND BACKFILL OUTSIDE OF PAVED AREAS
03/01/08	



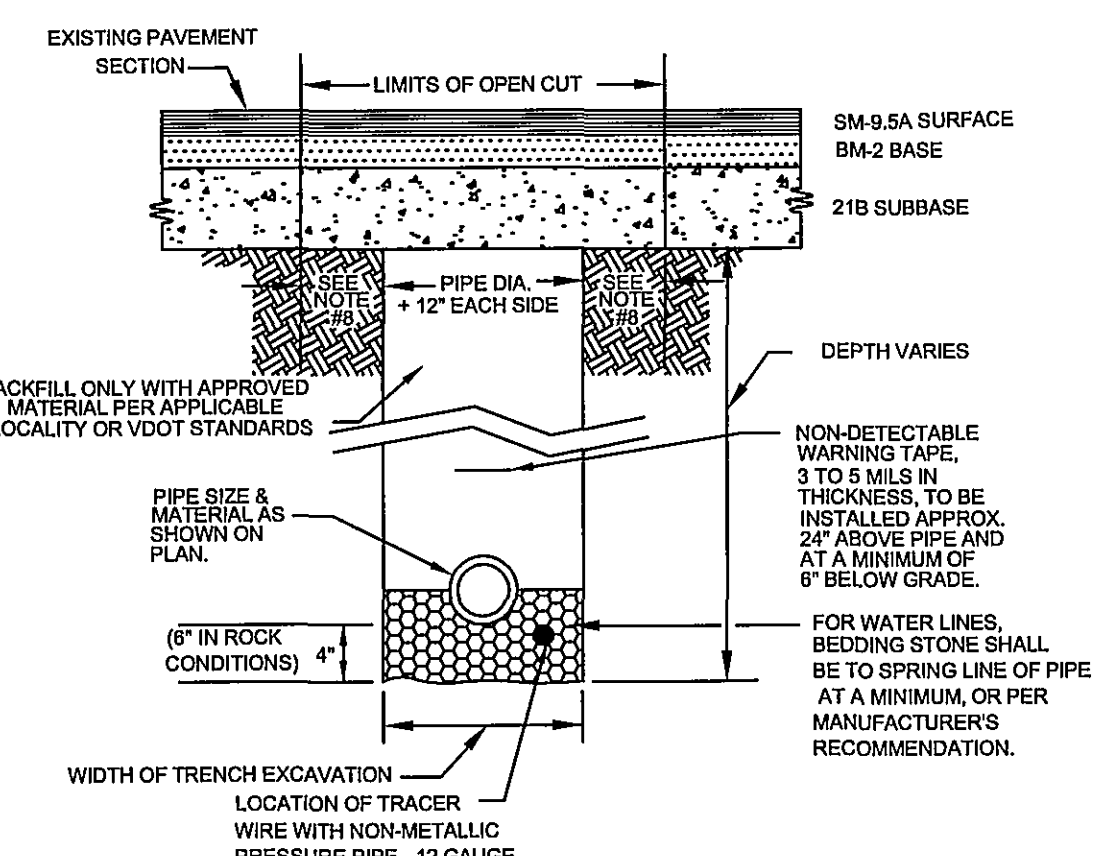
- NOTES:
1. BEDDING, HAUNCHING AND INITIAL BACKFILL CONSTRUCTION SHALL BE IN ACCORDANCE WITH MANUFACTURER'S RECOMMENDATION.
  2. ALL PVC PIPE SHALL BE BEDDED IN COMPACTED VDOT #57 OR #68 STONE.
  3. IN ROANOKE COUNTY, THE CONTRACTOR SHALL REPLACE THE OPEN CUT WITH A MINIMUM TOP COURSE OF 1.5\"/>



- NOTES:
1. SETTER TO BE A.Y. McDONALD #20-215 WDD033, FORD VBHH72-15W-1133 OR APPROVED EQUAL.
  2. METER BOX MUST BE CARBONMID-STATE PLASTICS, INC. PLASTIC BOX WITH FORD AS27 (ELECTRONIC READ LOG) OR A.Y. McDONALD MODEL 74MS2C-1C CAST IRON BASE & COVER OR APPROVED EQUAL.
  3. CORPORATION STOP MUST BE FORD F1000-4-8 OR APPROVED EQUAL.



- NOTES:
1. BEDDING, HAUNCHING AND INITIAL BACKFILL CONSTRUCTION SHALL BE IN ACCORDANCE WITH MANUFACTURER'S RECOMMENDATION.
  2. ALL PVC PIPE SHALL BE BEDDED IN COMPACTED VDOT #57 OR #68 STONE.
  3. IN AREAS NOT SUBJECTED TO VEHICULAR TRAFFIC, BEDDING STONE AND FILL SHALL BE PLACED IN 6\"/>



- NOTES:
1. BEDDING, HAUNCHING AND INITIAL BACKFILL CONSTRUCTION SHALL BE IN ACCORDANCE WITH MANUFACTURER'S RECOMMENDATION.
  2. ALL PVC PIPE SHALL BE BEDDED IN COMPACTED VDOT #57 OR #68 STONE.
  3. IN ROANOKE COUNTY, THE CONTRACTOR SHALL REPLACE THE OPEN CUT WITH A MINIMUM TOP COURSE OF 1.5\"/>

WESTERN VIRGINIA WATER AUTHORITY -- CONSTRUCTION STANDARDS	
REVISION DATE	DESCRIPTION
07/01/04	BEDDING AND BACKFILL UNDER PAVEMENT AND RIGHT-OF-WAY
03/01/08	

WESTERN VIRGINIA WATER AUTHORITY -- CONSTRUCTION STANDARDS	
REVISION DATE	DESCRIPTION
07/01/04	DOUBLE RESIDENTIAL WATER SERVICE
03/01/08	

WESTERN VIRGINIA WATER AUTHORITY -- CONSTRUCTION STANDARDS	
REVISION DATE	DESCRIPTION
07/01/04	BEDDING AND BACKFILL OUTSIDE OF PAVED AREAS
03/01/08	

WESTERN VIRGINIA WATER AUTHORITY -- CONSTRUCTION STANDARDS	
REVISION DATE	DESCRIPTION
07/01/04	BEDDING AND BACKFILL UNDER PAVEMENT AND RIGHT-OF-WAY
03/01/08	



1208 Corporate Circle  
Roanoke, Virginia 24018  
Phone: 540/772-9580  
FAX: 540/772-8050

501 Branchway Road  
Suite 200  
Glen Allen, Virginia 23060  
Phone: 804/653-0132  
FAX: 804/653-0139

880 Technology Park Drive  
Suite 200  
Blair Hill, Virginia 23069  
Phone: 804/381-4290  
FAX: 804/381-4291

448 Peppers Ferry Road  
Christiansburg, Virginia 24073  
Phone: 540/381-4290  
FAX: 540/381-4291

1657 Commerce Road  
Suite 201  
Verona, Virginia 24482  
Phone: 540/248-3220  
FAX: 540/248-3221

HANGING ROCK COURT  
 WWA DETAILS  
 ROANOKE COUNTY, VIRGINIA

DRAWN BY: CPB  
 DESIGNED BY: CPB  
 CHECKED BY: JVV  
 DATE: 07/20/2006  
 REVISIONS:  
 09/05/2006  
 11/07/2006  
 01/19/2007  
 03/07/2007  
 04/12/2007

SCALE: N/A  
 SHEET NO.  
**C-8**  
 JOB NO.  
 R0600139.00