

CONSULTANT

CONSULTANT

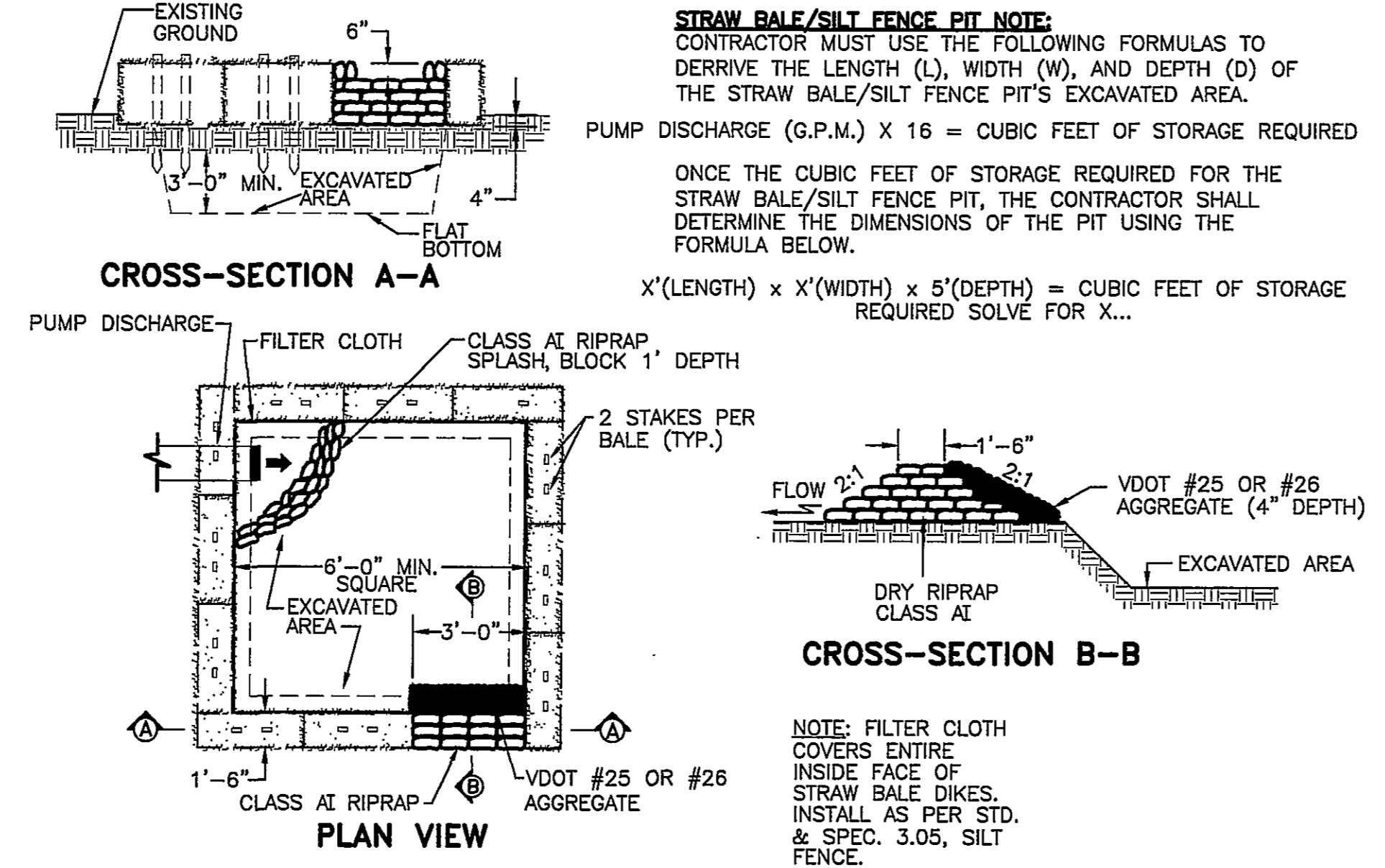
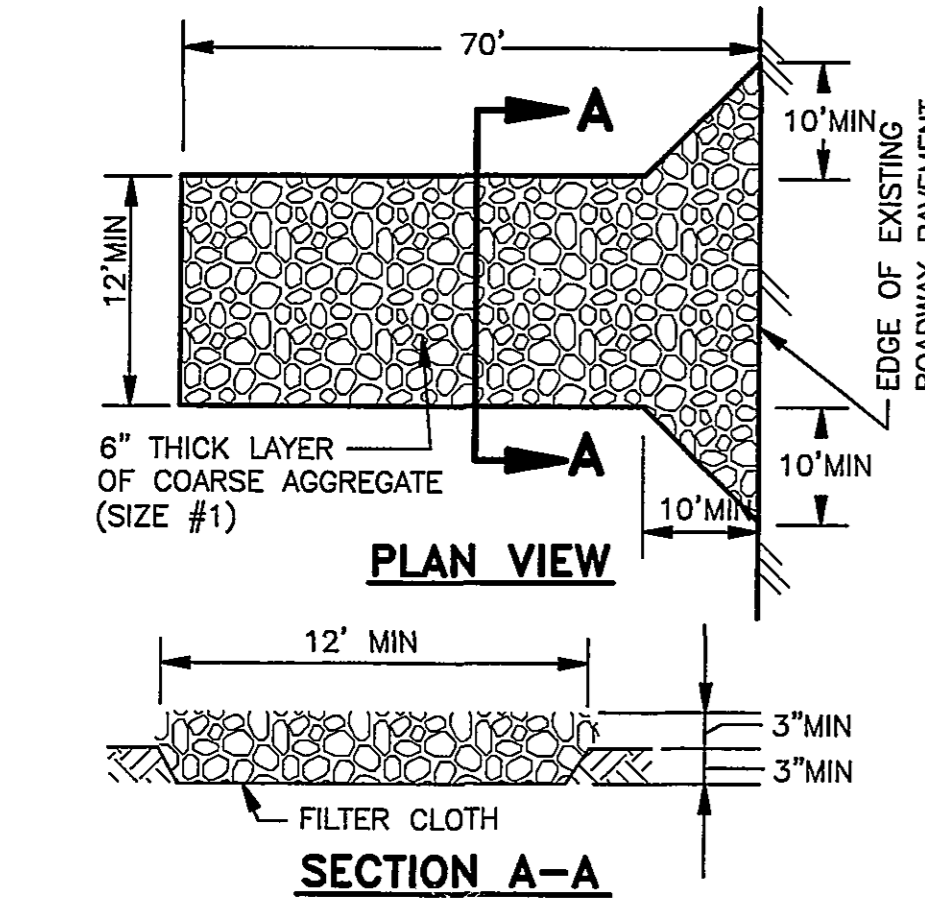
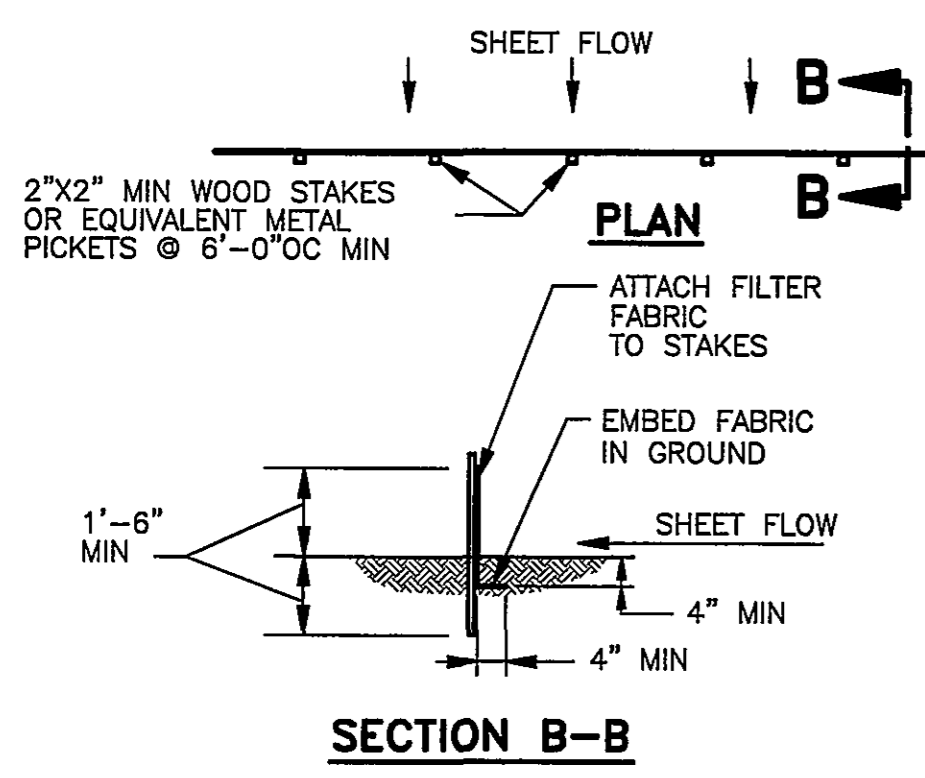
ROANOKE, VIRGINIA

REV	DATE	DESCRIPTION	APP

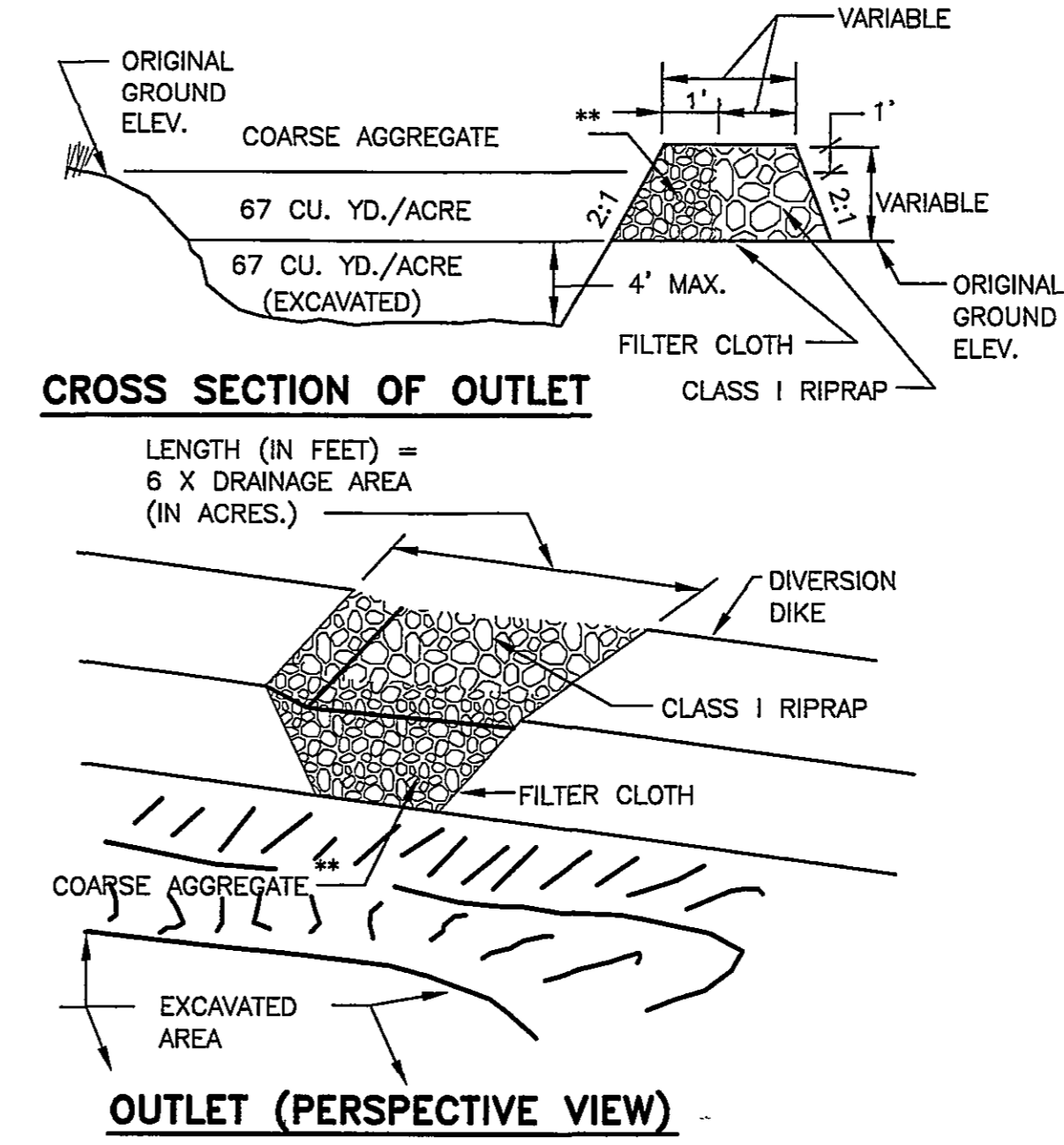
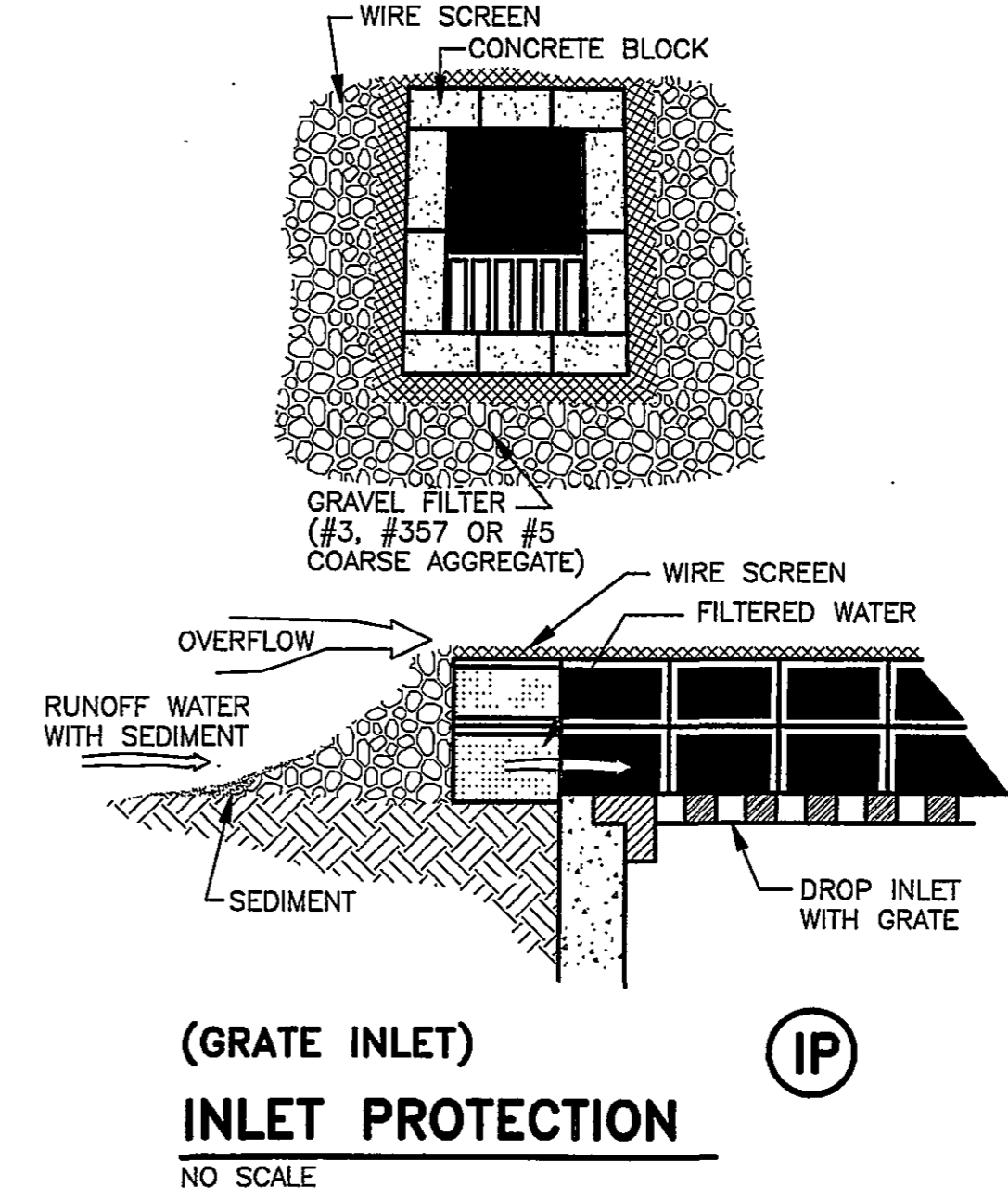
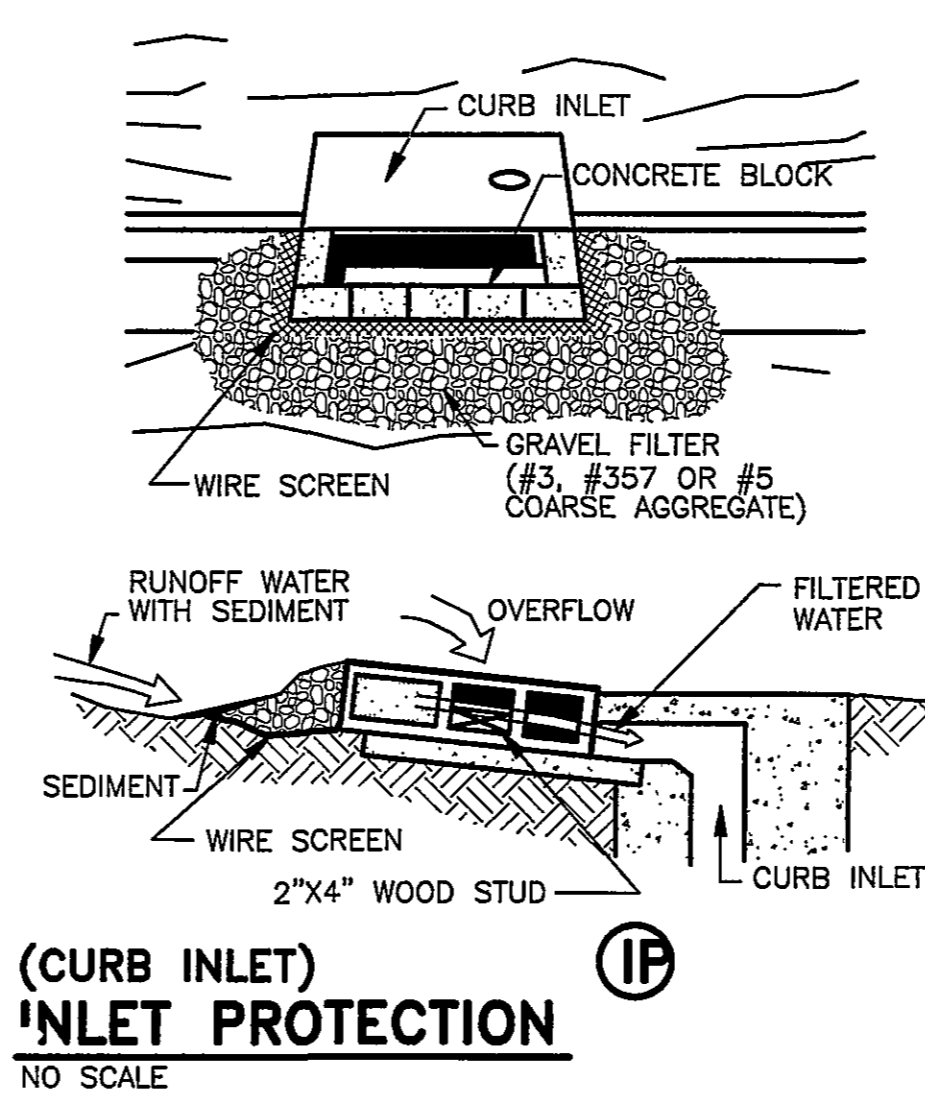
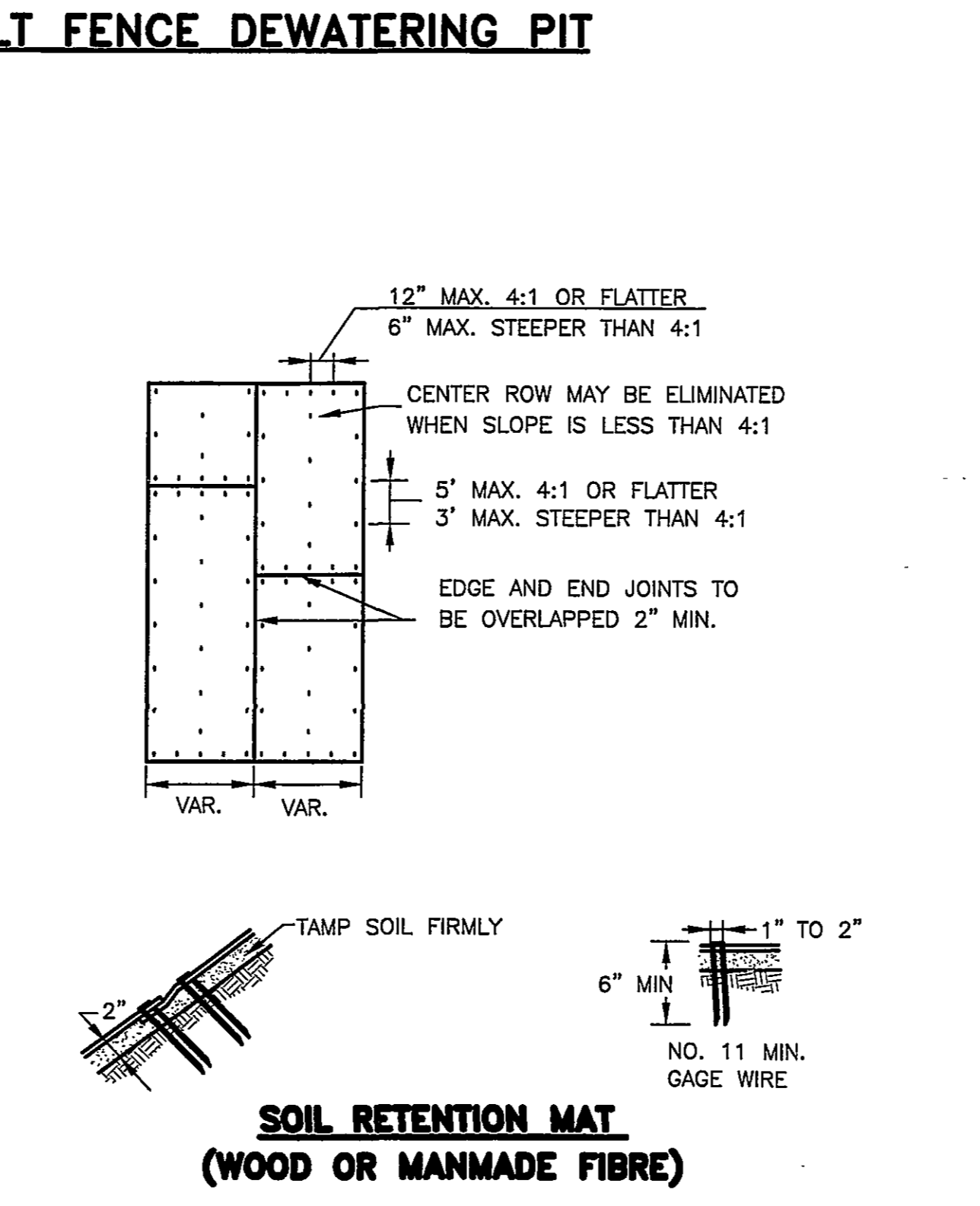
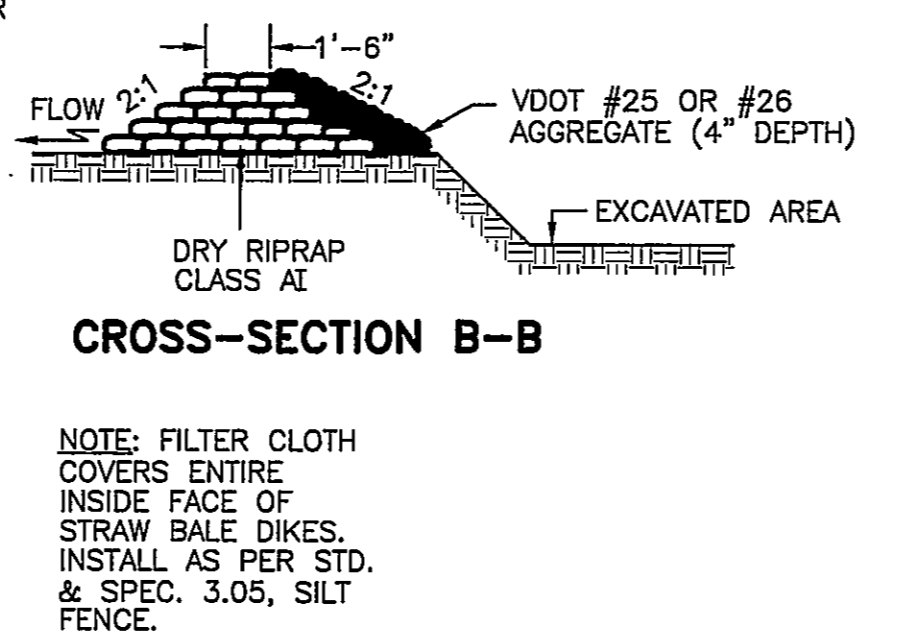
COMM NO: 40049  
ISSUE DATE: SEPTEMBER 16, 2005  
DESIGNED BY: TJG DRAWN BY: TJG  
CHECKED BY: MLC SUBMITTED BY: GLH  
© HAYES, SEAY, MATTERN & MATTERN, INC., 2005. ALL RIGHTS RESERVED.

CIVIL

DETAILS



**STRAW BALE/SILT FENCE PIT NOTE:**  
CONTRACTOR MUST USE THE FOLLOWING FORMULAS TO DETERMINE THE LENGTH (L), WIDTH (W), AND DEPTH (D) OF THE STRAW BALE/SILT FENCE PIT'S EXCAVATED AREA.  
ONCE THE CUBIC FEET OF STORAGE REQUIRED FOR THE STRAW BALE/SILT FENCE PIT, THE CONTRACTOR SHALL DETERMINE THE DIMENSIONS OF THE PIT USING THE FORMULA BELOW.  
 $X(\text{LENGTH}) \times X(\text{WIDTH}) \times 5(\text{DEPTH}) = \text{CUBIC FEET OF STORAGE REQUIRED SOLVE FOR } X...$



**SEDIMENT TRAP SUMMARY**

TRAP	TOTAL DRAINAGE AREA (ACRES)	TOTAL DISTURBED AREA DRAINING TO TRAP (ACRES)	WEIR LENGTHS (FT)	WIDTH AT CREST ELEVATION (FT)	LENGTH AT CREST ELEVATION (FT)	WET DEPTH (FT)	SIDE SLOPES (L:1)	VOLUME (CY)
ST-1	1.8	1.64	6.0	23.0	50.0	3.5	1.1	123.1

