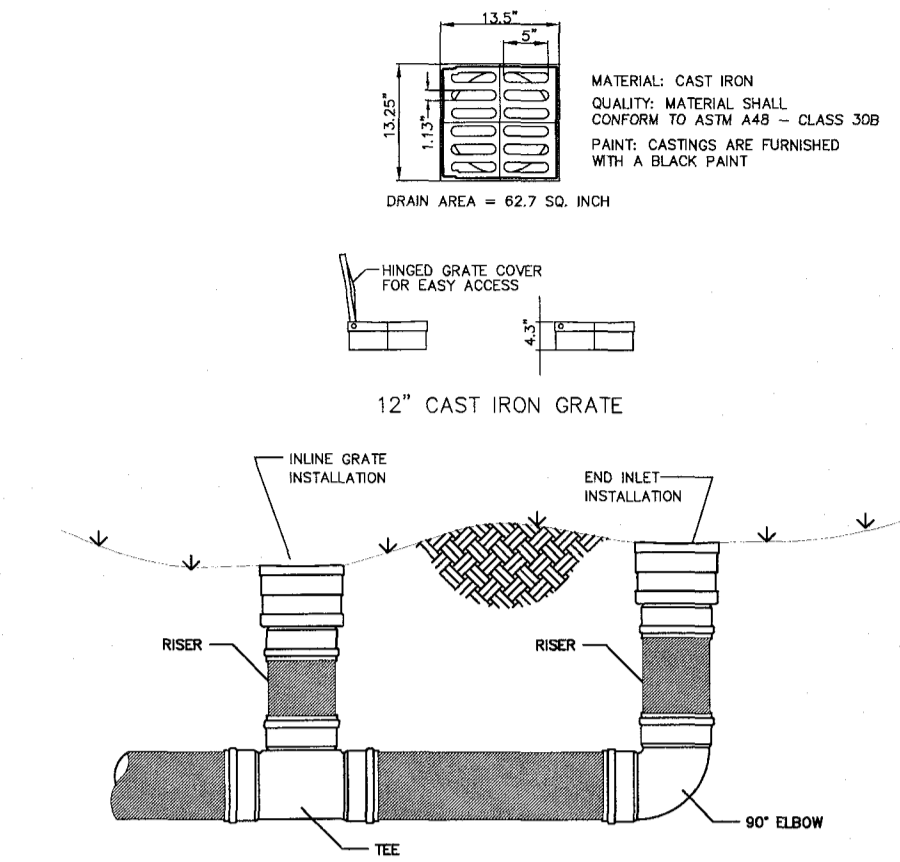


STANDARD ASPHALT PAVEMENT SECTION

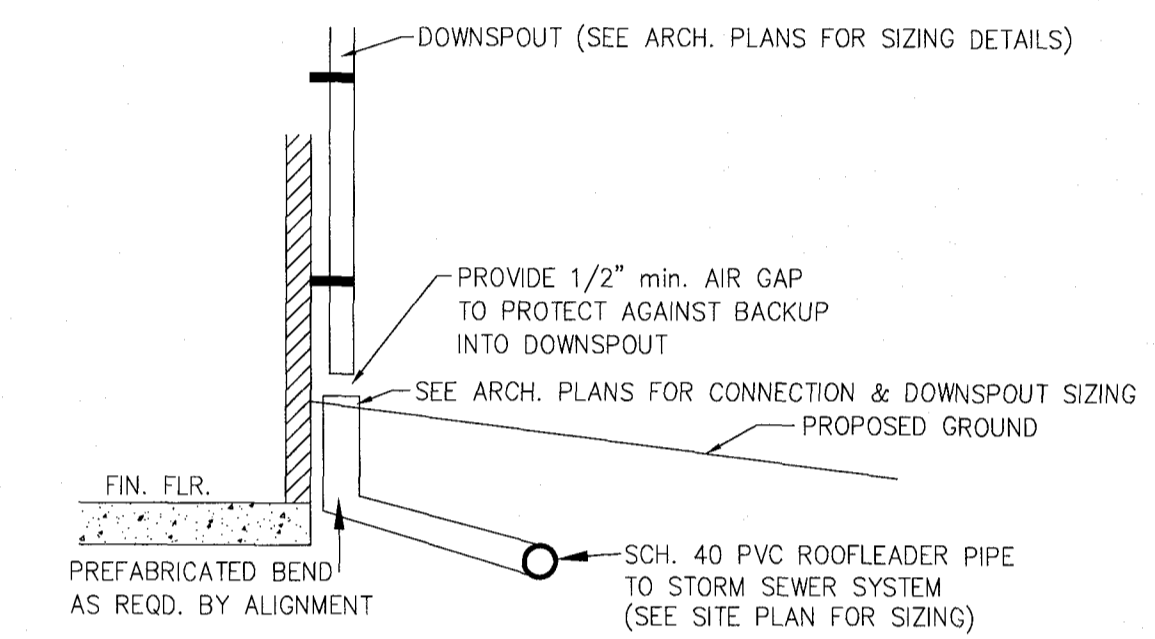
NO SCALE

1. 8" STONE BASE MUST BE PLACED IN TWO LIFTS OF NO MORE THAN 4" EACH.
2. A TACK COAT SHALL BE APPLIED BETWEEN ASPHALT PAVEMENT LAYERS
3. G.C. TO ENSURE A MINIMUM OF 95% COMPACTION OF THE SUBGRADE PRIOR TO STONE/ASPHALT PLACEMENT.



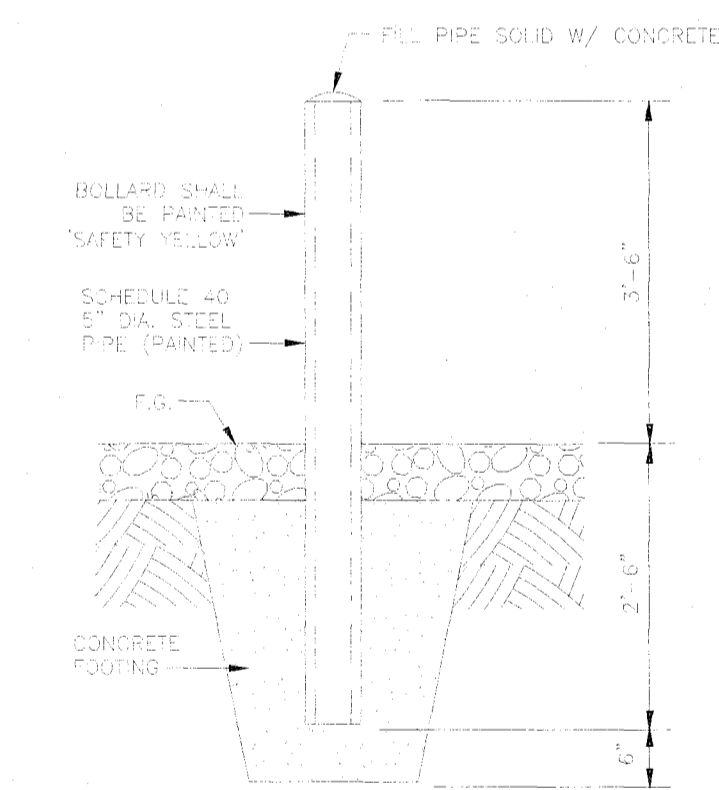
NYLOPLAST INLET

RECOMMENDED MANUFACTURER, APPROVED EQUAL MAY BE SUBSTITUTED WITH WRITTEN PERMISSION FROM THE ENGINEER.



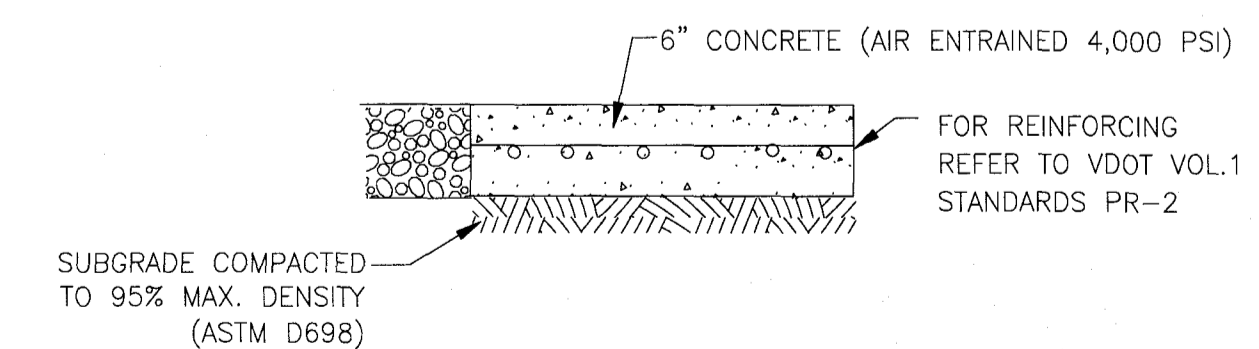
DOWNSPOUT CONNECTION DETAIL

N.T.S.



PIPE BOLLARD DETAIL

NO SCALE



SECTION THROUGH DUMPSTER PAD

NO SCALE

City of Roanoke
 Planning, Building, & Development
 COMPREHENSIVE DEVELOPMENT PLAN
APPROVED
 by plkr1 01/10/2019

NOTE:
 G.C. SHALL BE RESPONSIBLE FOR OBTAINING ADEQUATE SUB-GRADE COMPACTION.



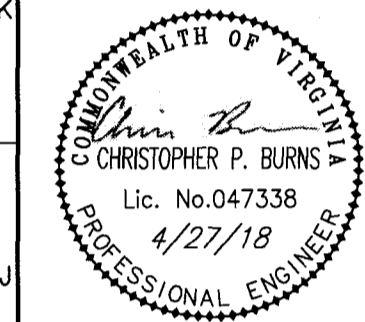
www.balzer.cc

Roanoke
 New River Valley
 Richmond
 Staunton
 Harrisonburg

- RESIDENTIAL LAND DEVELOPMENT ENGINEERING
- SITE DEVELOPMENT ENGINEERING
- LAND USE PLANNING & ZONING
- LANDSCAPE ARCHITECTURE
- LAND SURVEYING
- ARCHITECTURE
- STRUCTURAL ENGINEERING
- TRANSPORTATION ENGINEERING
- ENVIRONMENTAL & SOIL SCIENCE
- WETLAND DELINEATIONS & STREAM EVALUATIONS

Balzer and Associates, Inc.

1208 Corporate Circle
 Roanoke, VA 24018
 540-772-9580
 FAX 540-772-8050



4753 VALLEY VIEW BOULEVARD

SITE DETAILS 2

CITY OF ROANOKE, VIRGINIA

DRAWN BY CPB
 DESIGNED BY CPB
 CHECKED BY BTC
 DATE 4/3/2018
 SCALE AS NOTED
 REVISIONS:
 4/27/2018

SHEET NO.

C12

JOB NO. 04170073.00