

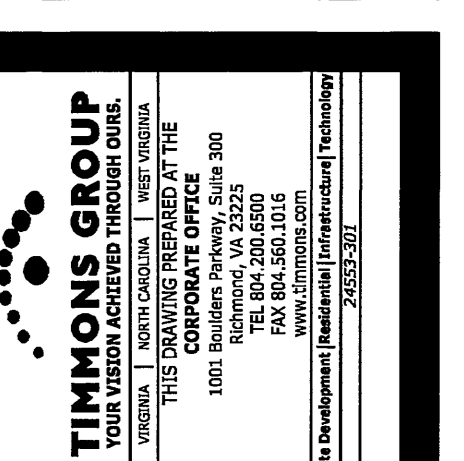
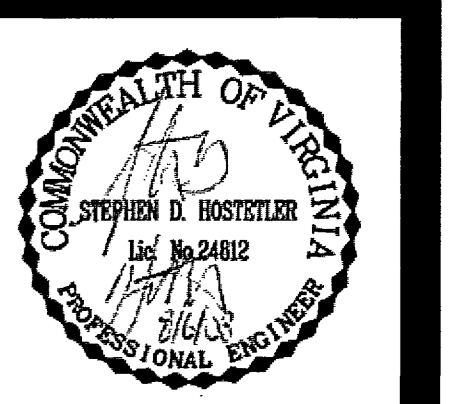
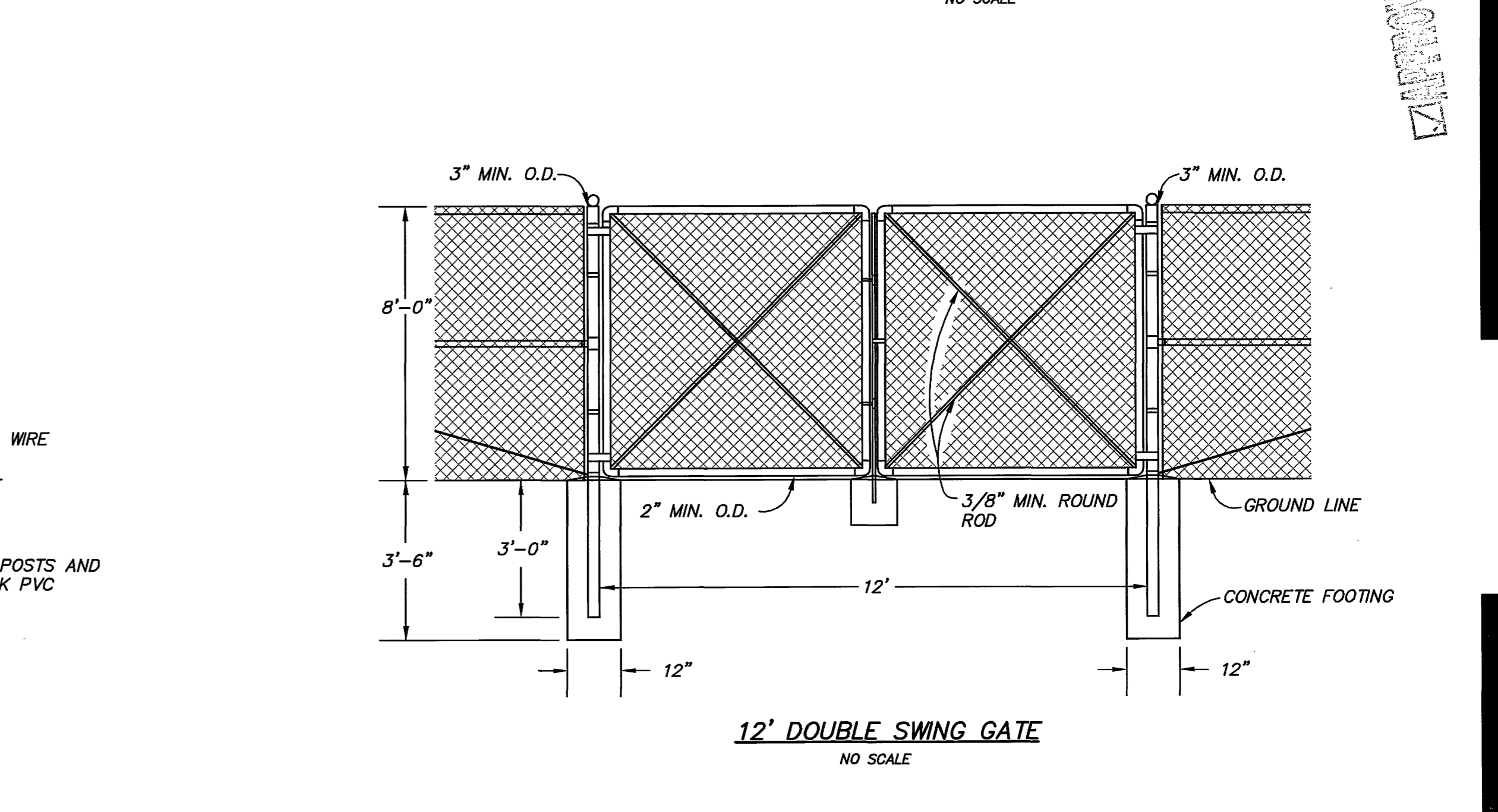
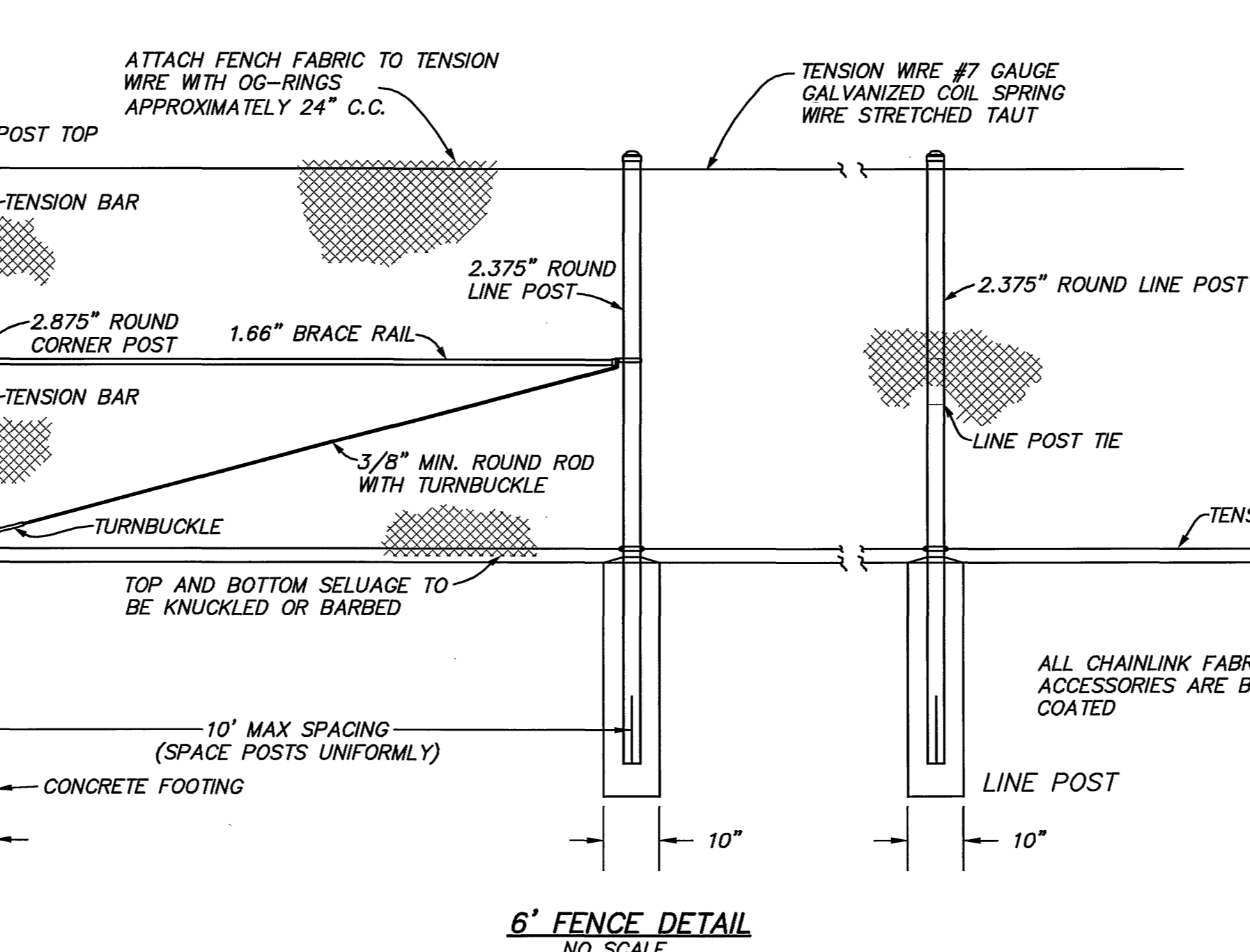
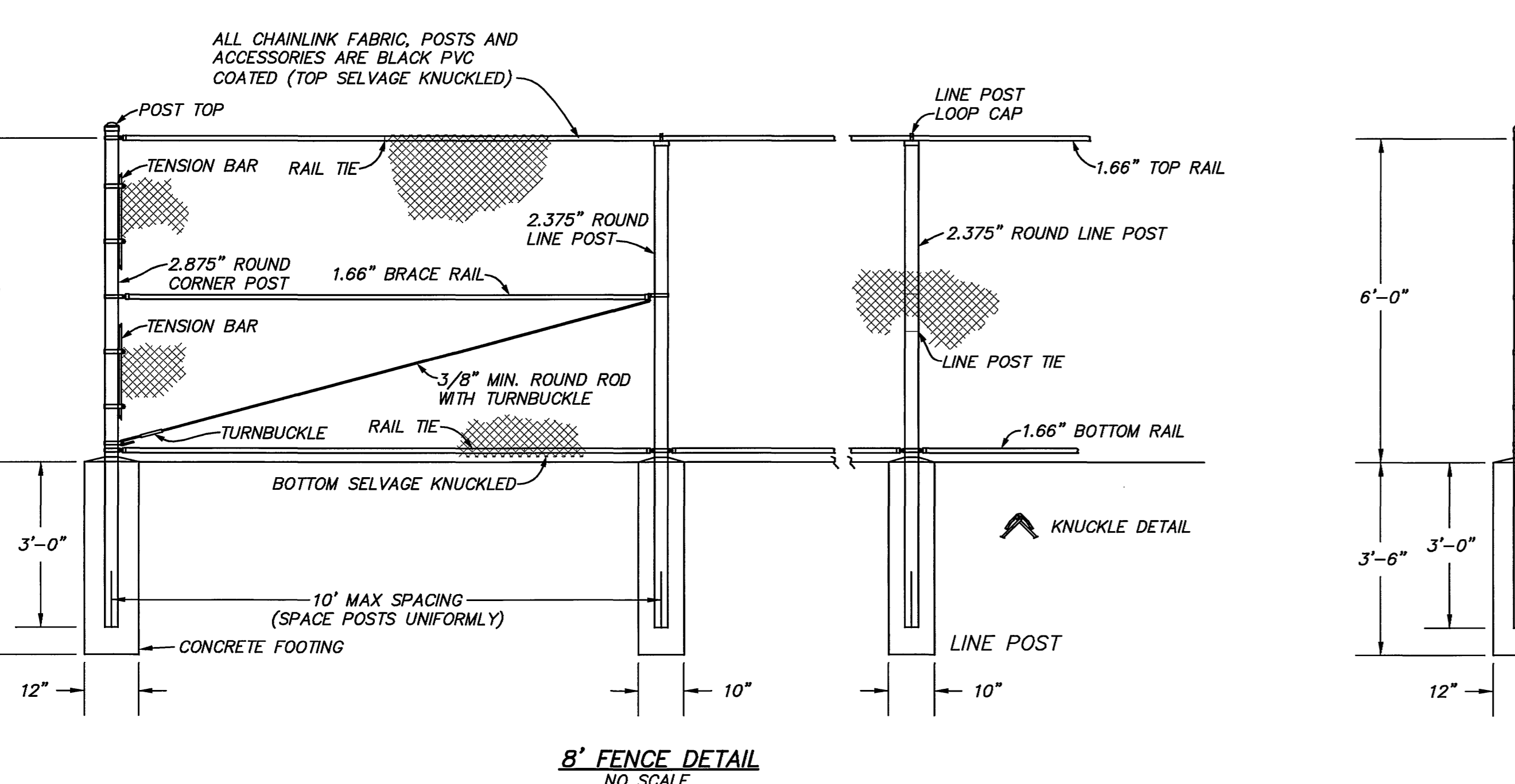
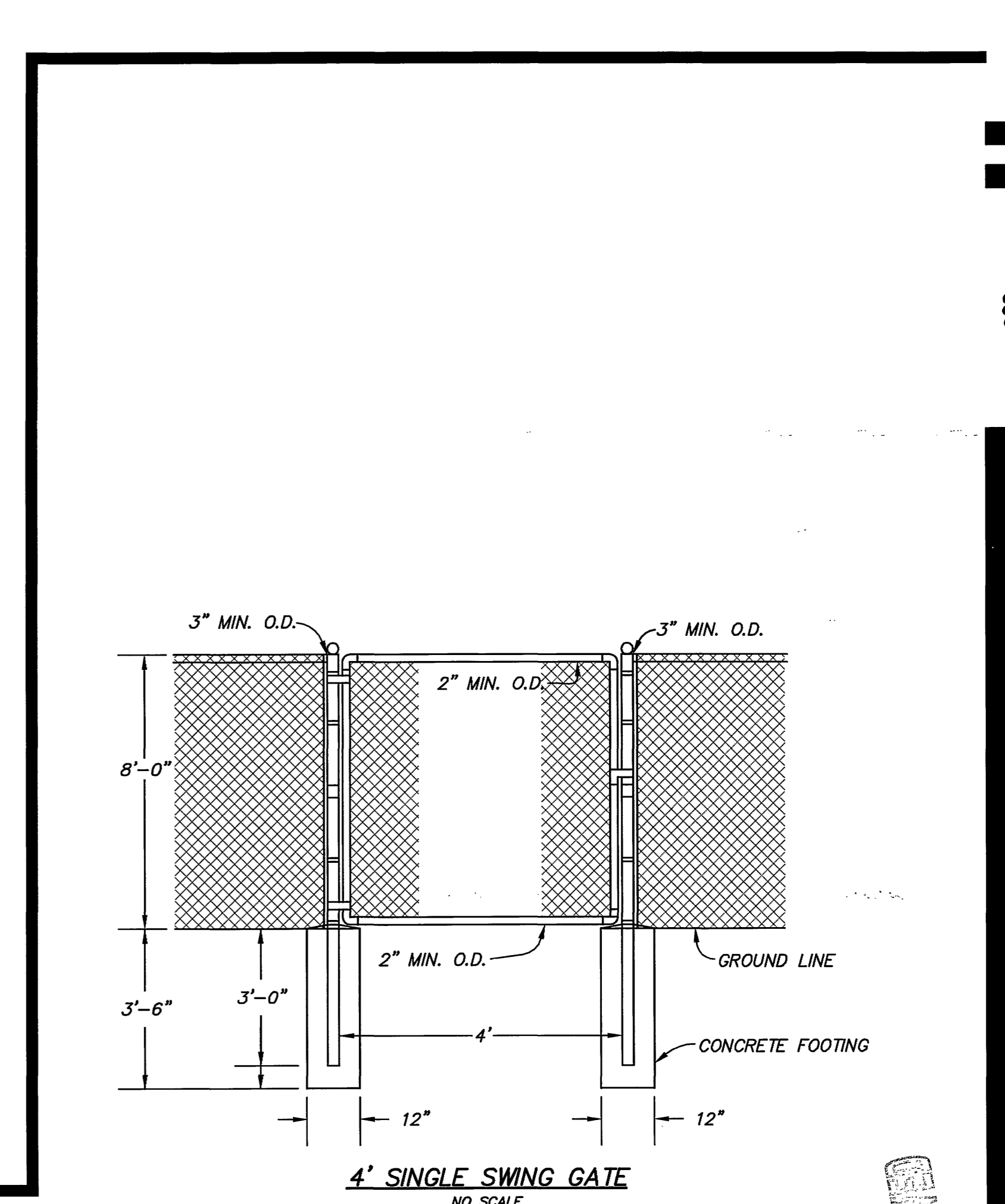
WESTERN VIRGINIA WATER AUTHORITY - CONSTRUCTION STANDARDS

PIPE SIZE	PIPE MATL.	90° BEND	45° BEND	22 1/2° BEND	11 1/4° BEND	VALVE	TEE	REDUCER	VERT. VERT.
6"	D.I.	28'	12'	6'	3'	38'	34'	20'	23'
8"	D.I.	37'	15'	7'	4'	51'	47'	21'	30'
10"	D.I.	45'	19'	9'	4'	61'	57'	20'	37'
12"	D.I.	53'	22'	11'	5'	73'	69'	38'	43'
6"	PVC	30'	12'	6'	3'	56'	38'	29'	35'
8"	PVC	40'	16'	8'	4'	74'	56'	31'	46'
10"	PVC	47'	20'	9'	5'	89'	82'	30'	56'
12"	PVC	56'	23'	11'	6'	108'	88'	36'	66'

WESTERN VIRGINIA WATER AUTHORITY - CONSTRUCTION STANDARDS

REVISION DATE	DESCRIPTION	BY
07/20/04		
03/01/06		

THRUST RESTRAINT OF PIPE JOINTS DESIGN LENGTHS W-20



PROJECT NO: 461200  
DATE: JUNE 3, 2008  
REVISION: 6, 2008  
DRAWN BY: WLP  
REVIEWED BY: SEB

DETAILS