

BM-A: RIM EXISTING MH STONERIDGE RD. ELEV. 402.80

BM-B: RIM EXISTING MH INTERSECTION WEST RIDGE RD & PEAKWOOD DR. ELEV. 491.60

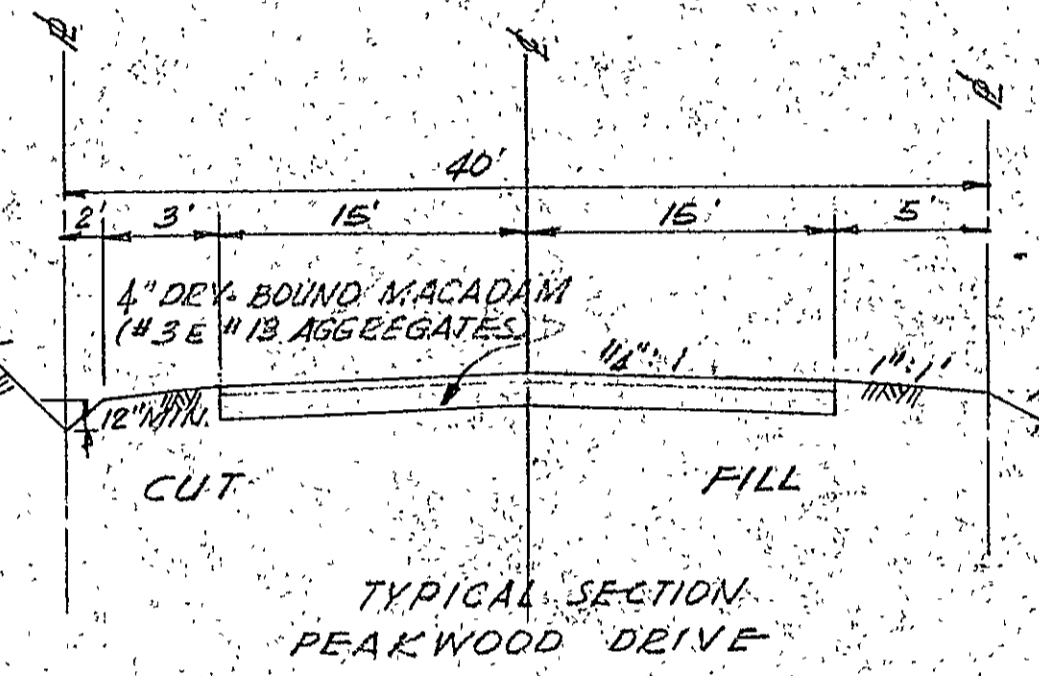
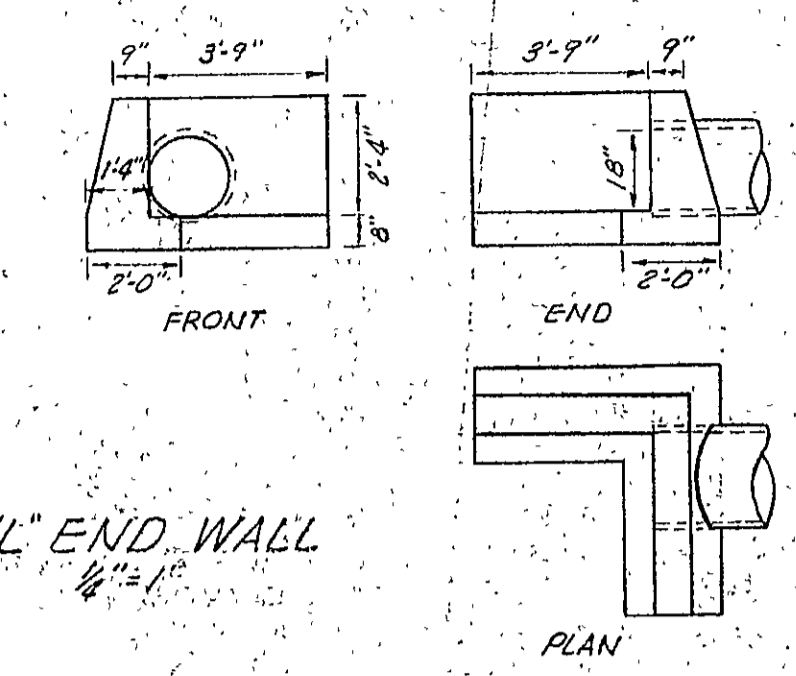
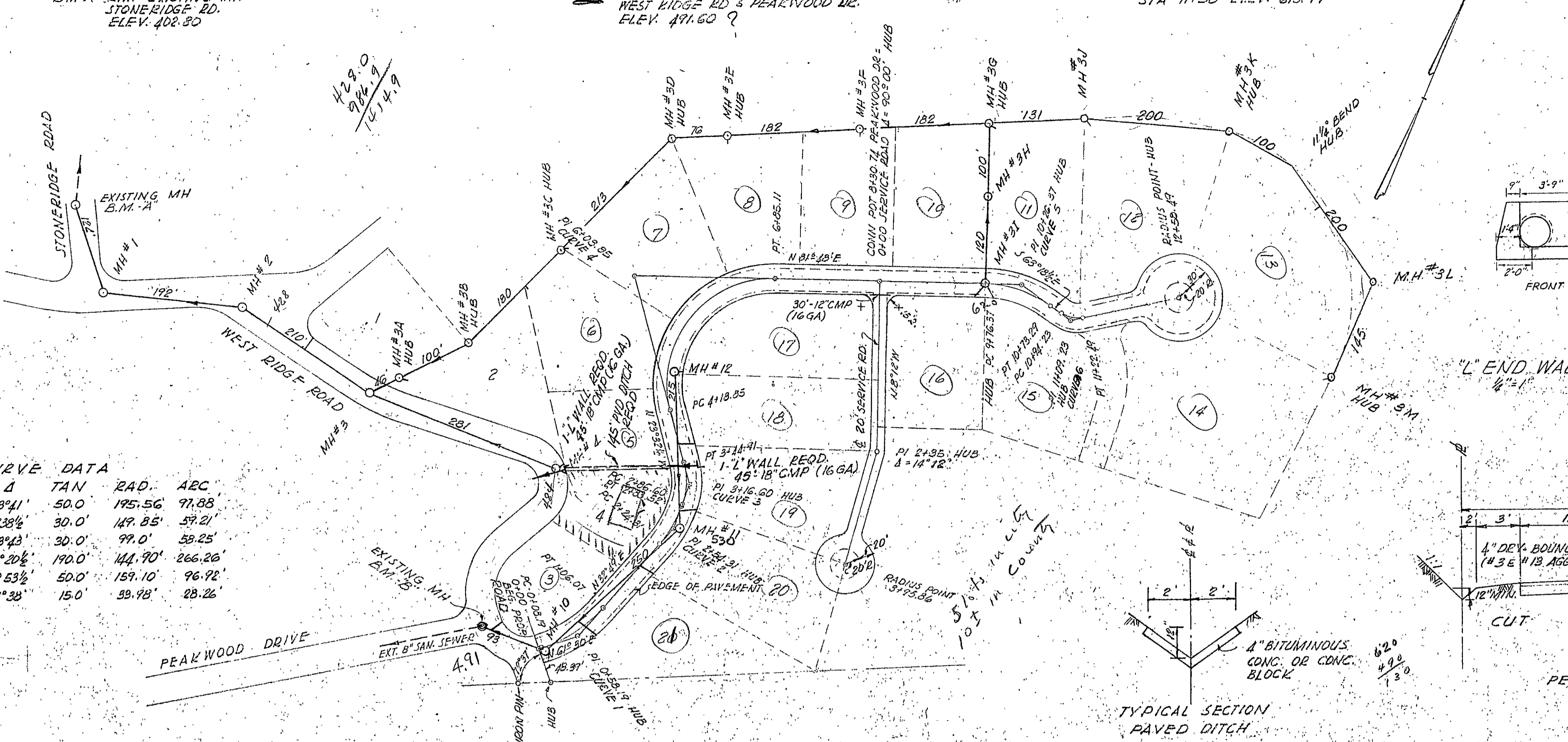
BM-C: TOP OF WELL CASING RT STA 11+50 ELEV. 613.79

GENERAL NOTES:
 1. SEWER - MANHOLES, FRAMES & COVERS TO BE IN ACCORDANCE WITH CITY OF ROANOKE STDS. SERVICE CONN TO CONSIST OF "V" 1/4" BEND & 6" VC PIPE TO PROPERTY LINE UNLESS CONN. IS MADE TO MANHOLE. SEWER PIPE TO BE ASTM C-13. THE CONTRACTOR SHALL SUBMIT "AS-BUILT" DATA ON ALL SEWER WORK, INCLUDING DEPTH OF MANHOLES, DIST. BETWEEN MANHOLES, AND LOCATION OF SERVICE CONNS. AT THE SEWER LINE & THE PROPERTY LINE MEASURED FROM DOWNSTREAM MANHOLE; TO THE OWNER.
 2. ROADS - ALL ROAD WORK SHALL BE IN ACCORDANCE WITH THE LATEST REVISION OF "ROAD & BRIDGE SPECIFICATIONS" - VA. DEPT. OF HIGHWAYS

DATE	
BY	
SURVEYED	
PLANNED	
NOTED	
NO.	

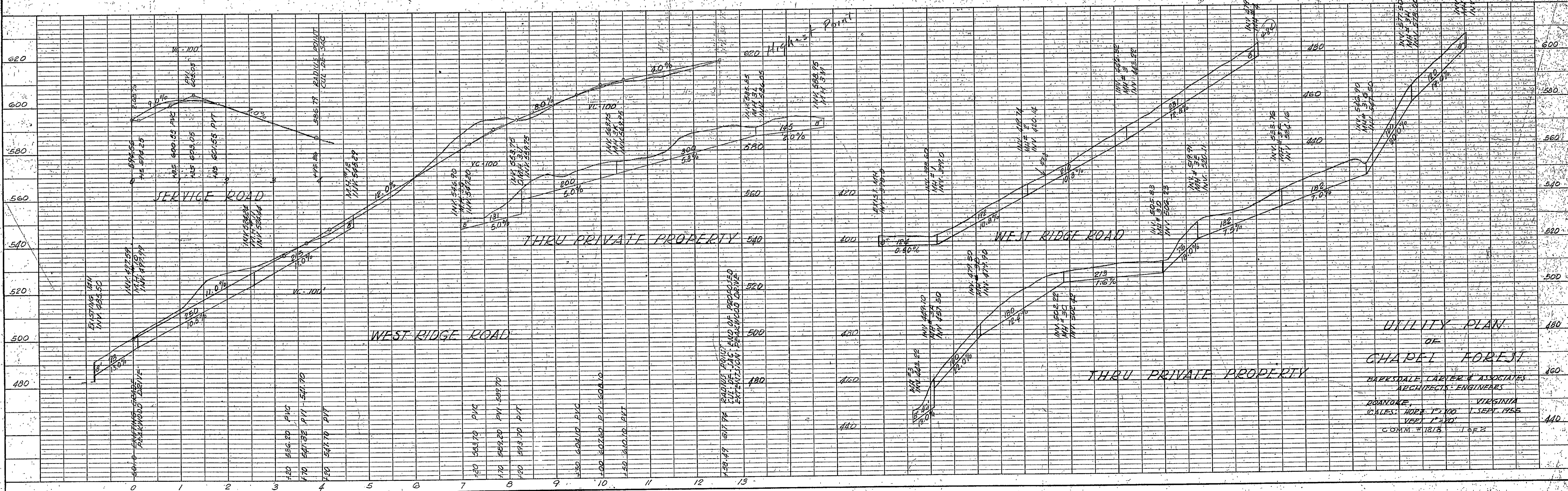
CURVE DATA

CURVE	Δ	TAN	RAD.	AEC
1	28°41'	50.0'	195.56'	97.88'
2	22°38 1/2'	30.0'	149.85'	59.21'
3	39°43'	30.0'	99.0'	59.25'
4	105°20 1/2'	190.0'	144.90'	266.26'
5	34°53 1/2'	50.0'	189.10'	96.92'
6	47°38'	15.0'	59.98'	28.26'



APPROVED
J. R. Hill
 CITY ENGINEER OF ROANOKE
 DATE: AUG. 19, 1955
 AGENT - ROANOK CITY PLNG. COMM. DATE:

DATE	
BY	
SURVEYED	
PLANNED	
NOTED	
NO.	



UTILITY PLAN
 OF
 CHAPEL FOREST
 BARKDALE, CARTER & ASSOCIATES
 REGISTERED ENGINEERS
 ROANOKE, VIRGINIA
 SCALE: HORIZ. 1" = 100' VERT. 1" = 20'
 COMM. # 1818 1952