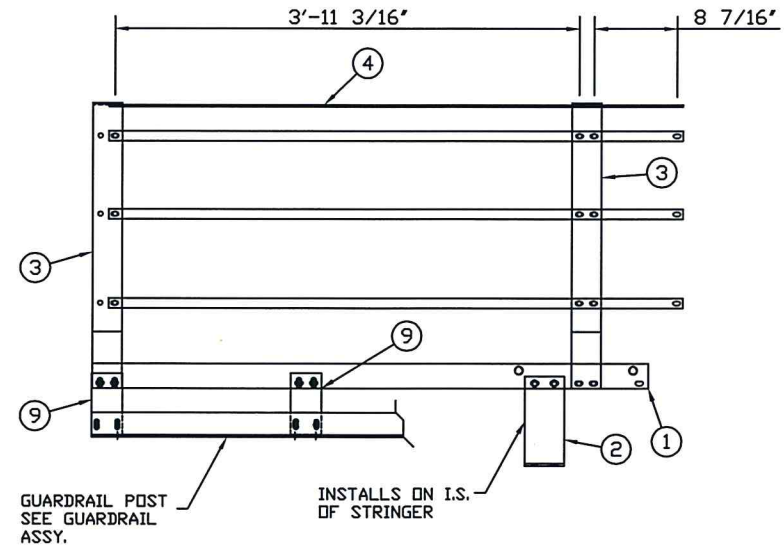
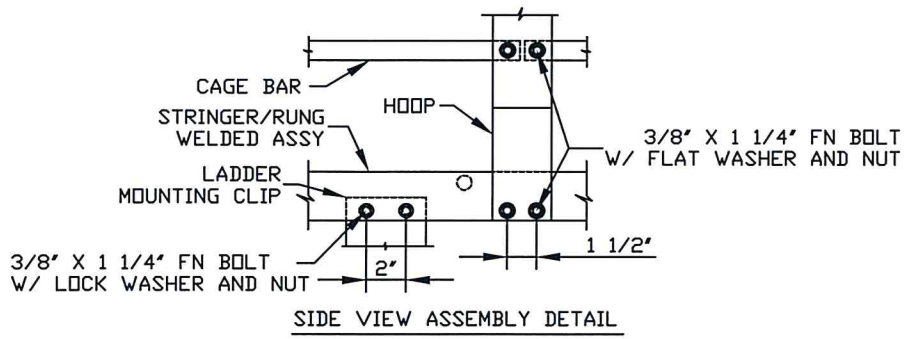
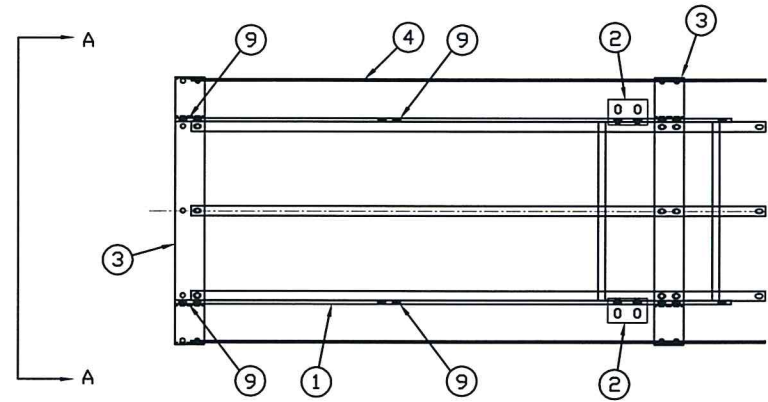


ITEM	D/S	PART NO.	QTY	DESCRIPTION	EST. WT.	PAINT
1	B	LST001	1	STRINGER/RUNG ASSEMBLY	34	
2	B	LCP5	2	LADDER MOUNTING CLIP	3	
3	B	H00P2	2	H00P - MID	12	
4	B	CB001	7	CAGE BAR X 58 3/8\"/>		
A 5	-	BLTFG03751250	45	3/8\"/>		
A 6	-	NUTHG0375	45	3/8\"/>		
A 7	-	WSHFG0375	45	3/8\"/>		
8	-	WSHLG0375	4	3/8\"/>		
A 9	B	LCPGR2	4	LADDER GUARDRAIL CLIP	1	

ASSEMBLY NOTE:
INITIALLY ASSEMBLE UTILIZING LOOSE FIT CONNECTIONS. INSTALL AND ALIGN ALL PARTS BEFORE FULLY TIGHTENING HARDWARE.



Kevin W Sheddrick, PE
2016.01.11 13:17:51 -06'00'

THE INFORMATION ON THIS DOCUMENT IS CONFIDENTIAL PROPERTY OF TANK MANUFACTURER AND/OR ITS AFFILIATES. ANY OTHER USE, RETENTION, DISSEMINATION, FORWARDING, PRINTING OR COPYING OF THIS DOCUMENT TO UNAUTHORIZED PARTIES IS STRICTLY PROHIBITED, WITHOUT THE EXPRESSED WRITTEN CONSENT OF TANK MANUFACTURER.



REV	REVISION	DATE	BY	APP
E				
D				
C				
B	REVISED BORDER	11/23/11	JK	DJC
A	REVISED QTY OF ITEMS #5, #6 & #7 / ADDED ITEM #9	7/26/10	SH	TM

DRAWN BY:	JT	11.6\"/>			
DATE:	10/9/07				
REVIEWED BY:	DJC				
DATE:	10/20/07	B	SCALE: NTS	DRAWING NO.	LSA001