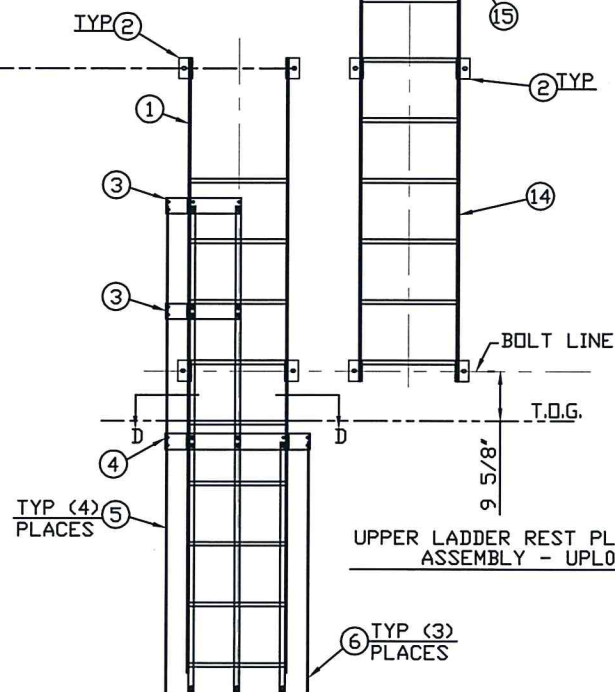
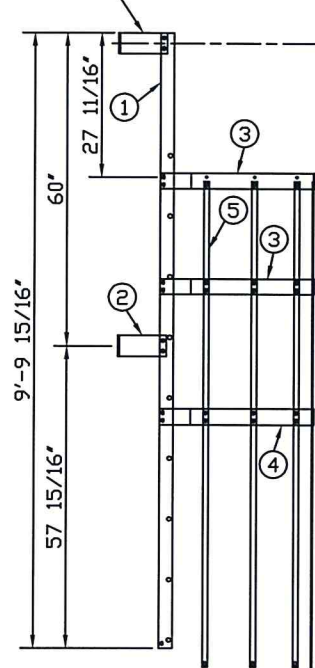


INSTALLS ON I.S. OF STRINGER TYP.



LOWER LADDER REST PLATFORM ASSEMBLY - LPL001

UPPER LADDER REST PLATFORM ASSEMBLY - UPL001



Kevin W Sheddick, PE
2016.01.11 13:21:15 -06'00'

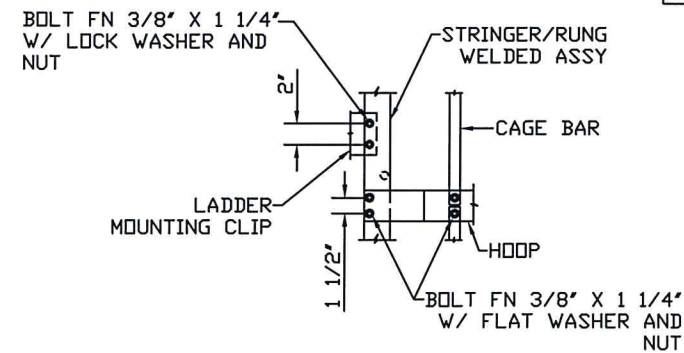
LOWER LADDER REST PLATFORM ASSEMBLY - LPL001

ITEM	D/S	PART NO.	QTY	DESCRIPTION	EST. WT.	PAINT
1	B	LSL001	1	STRINGER/RUNG ASSEMBLY	80	
2	B	LCP4	4	LADDER MOUNTING CLIP	3	
3	B	HOO3	2	HOOB - REST PLATFORM	6	
4	B	HOO2	1	HOOB - MID	12	
5	B	CB006	4	CAGE BAR X 92 15/16' DAL	5	
6	B	CB007	3	CAGE BAR X 47 13/16' DAL	2	
7	-	BLTFG03751250	76	3/8" X 1 1/4" FN BOLT HDG		
8	-	NUTHG0375	76	3/8" NUT HEX		
9	-	WSHFG0375	62	3/8" FLAT WASHER HDG		
10	-	WSHLG0375	14	3/8" LOCK WASHER HDG		

UPPER LADDER REST PLATFORM ASSEMBLY - UPL001

ITEM	D/S	PART NO.	QTY	DESCRIPTION	EST. WT.	PAINT
2	B	LCP4	6	LADDER MOUNTING CLIP	3	
4	B	HOO2	1	HOOB - MID	12	
7	-	BLTFG03751250	48	3/8" X 1 1/4" FN BOLT HDG		
8	-	NUTHG0375	48	3/8" NUT HEX		
9	-	WSHFG0375	36	3/8" FLAT WASHER HDG		
10	-	WSHLG0375	12	3/8" LOCK WASHER HDG		
14	B	LSU001	1	STRINGER/RUNG ASSEMBLY	82	
15	B	HOO1	1	HOOB - FLARED	14	
16	B	CB004	7	CAGE BAR X 35' DAL	1	

ASSEMBLY NOTE:
INITIALLY ASSEMBLE UTILIZING LOOSE FIT CONNECTIONS. INSTALL AND ALIGN ALL PARTS BEFORE FULLY TIGHTENING HARDWARE.



ASSEMBLY DETAIL

ASSEMBLY WEIGHT = 275 LBS

THE INFORMATION ON THIS DOCUMENT IS CONFIDENTIAL PROPERTY OF TANK MANUFACTURER AND/OR ITS AFFILIATES. ANY OTHER USE, RETENTION, DISSEMINATION, FORWARDING, PRINTING OR COPYING OF THIS DOCUMENT TO UNAUTHORIZED PARTIES IS STRICTLY PROHIBITED, WITHOUT THE EXPRESSED WRITTEN CONSENT OF TANK MANUFACTURER.



REV	REVISION	DATE	BY	APP	DATE	SCALE	NTS	DRAWING NO.	LSA010
E									
D									
C									
B	REV. BORDER	7/05/11	DJC	JM					
A	REVISED ASS'Y WEIGHT	01/13/09	SH	MB					
REV	REVISION	DATE	BY	APP	DATE	SCALE	NTS	DRAWING NO.	LSA010

DRAWN BY: JT
DATE: 10/15/07
REVIEWED BY: DJC

UPPER & LOWER LADDER REST PLATFORM ASS'Y - RH