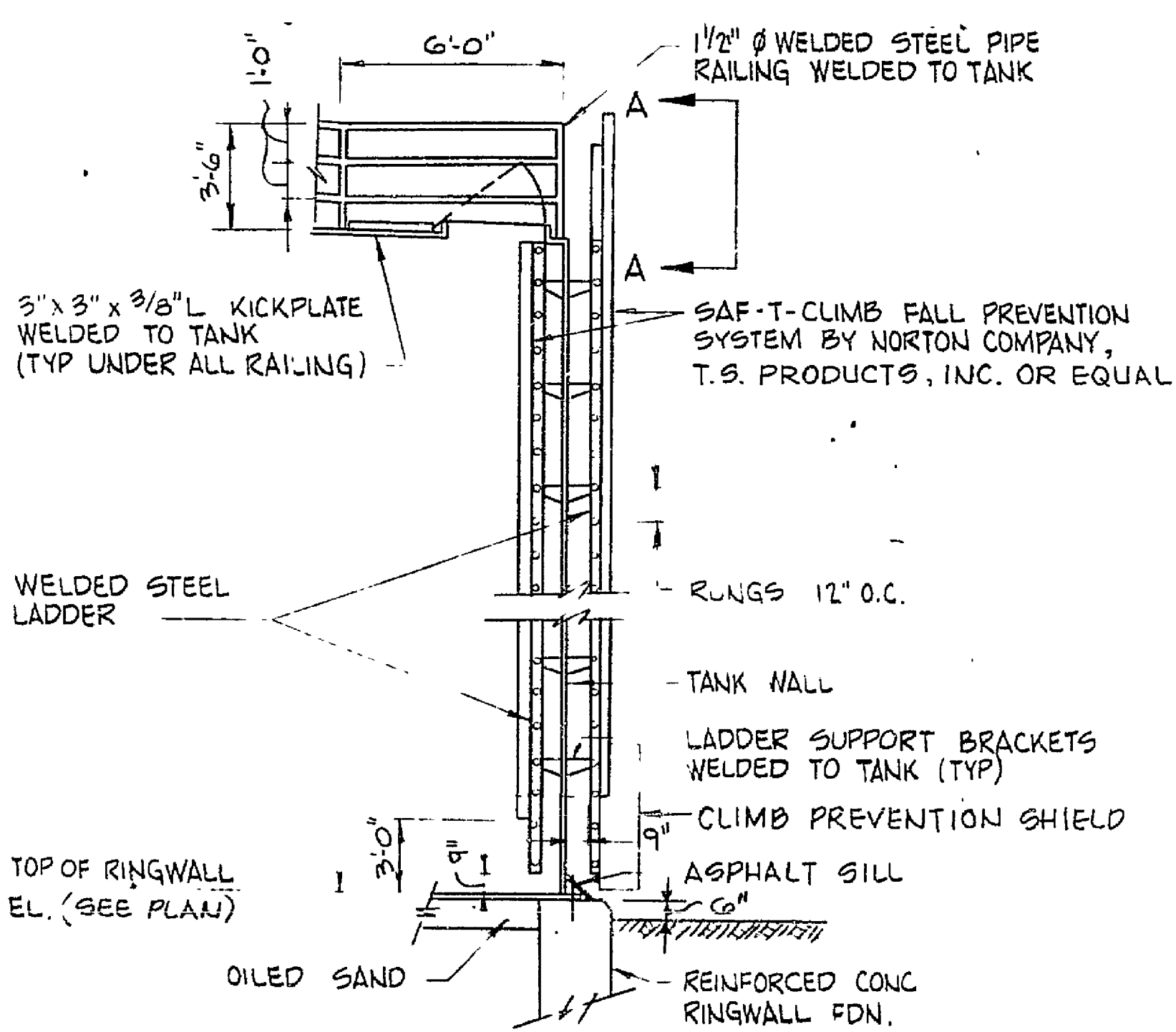
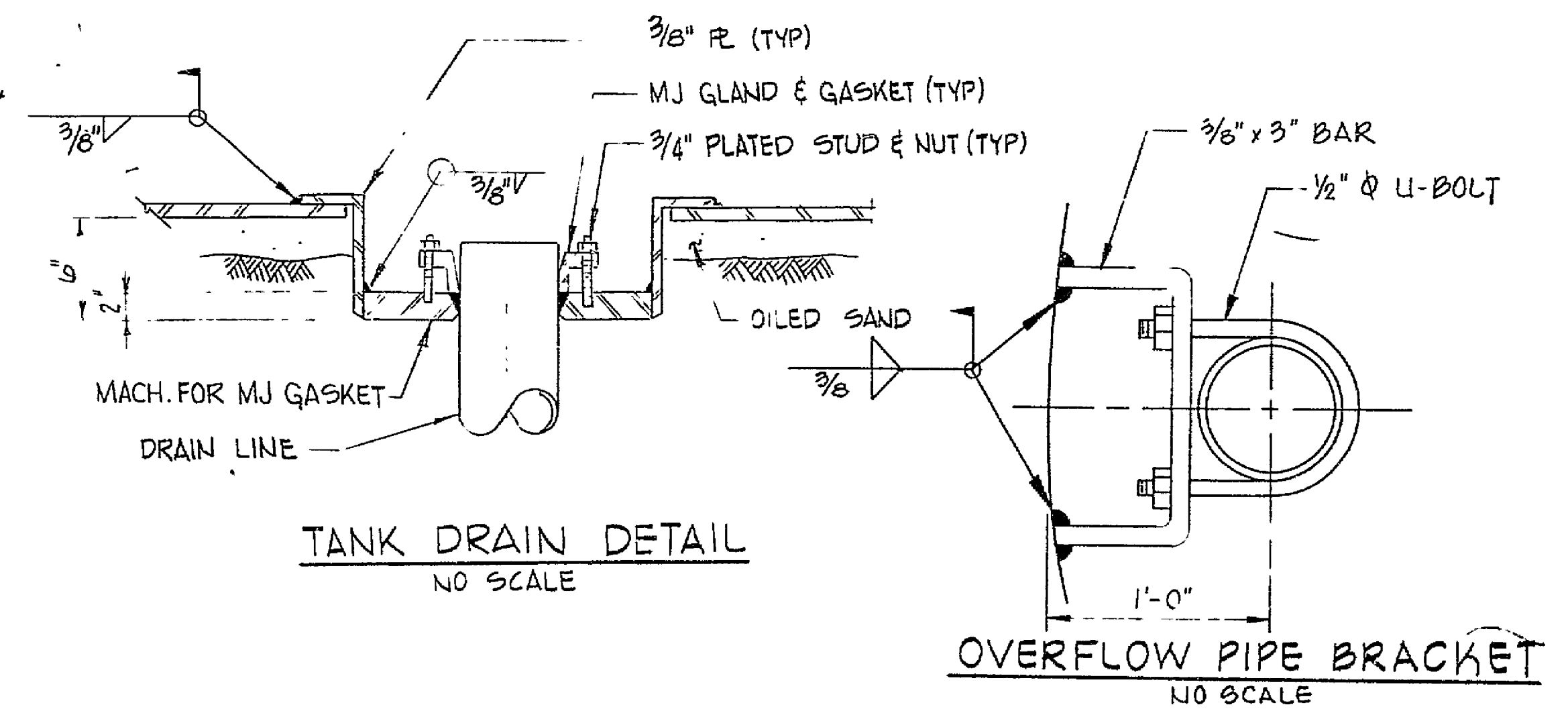


TANK OVERFLOW DETAIL  
NO SCALE

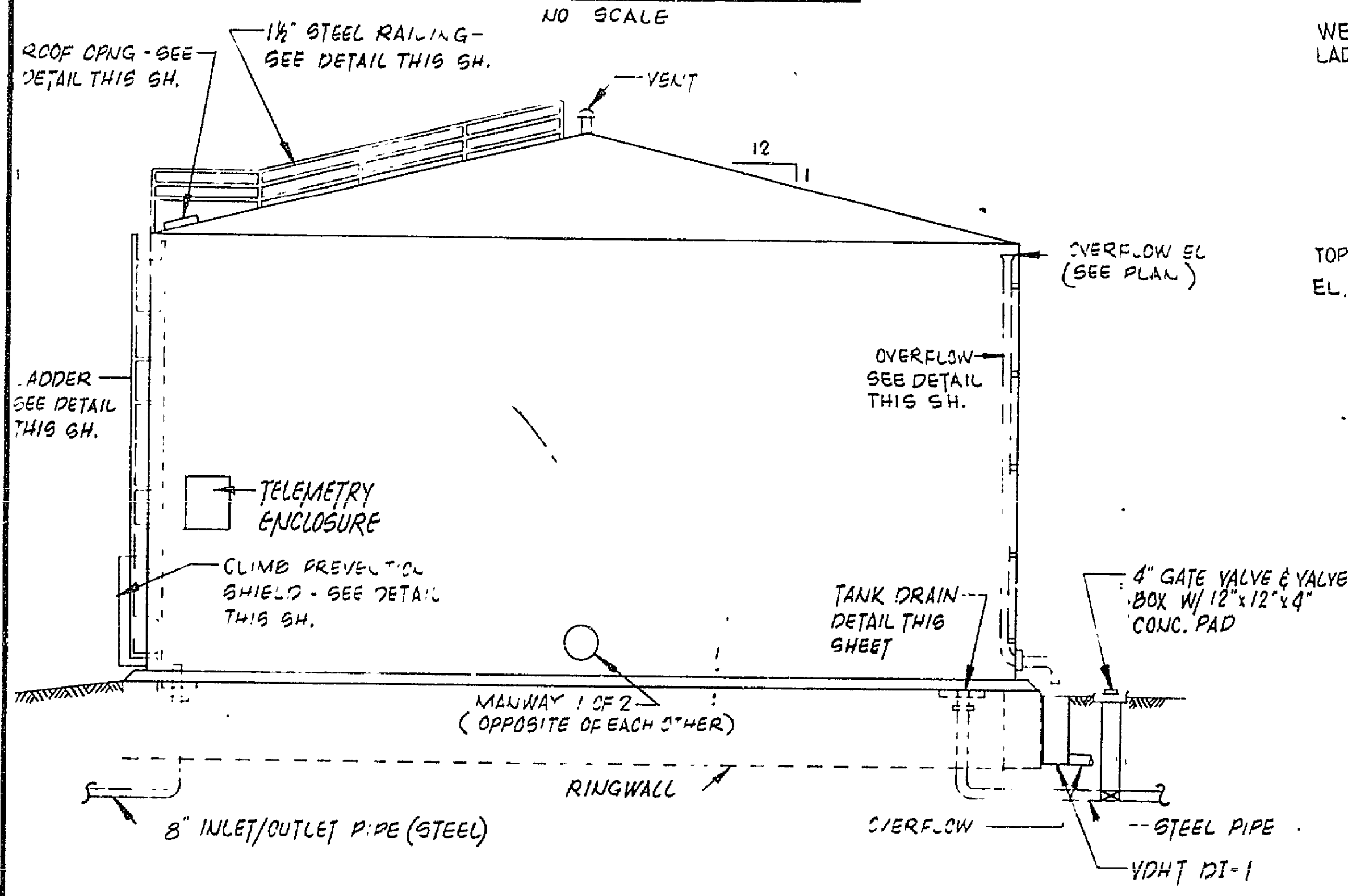


ACCESS LADDER DETAIL  
NO SCALE



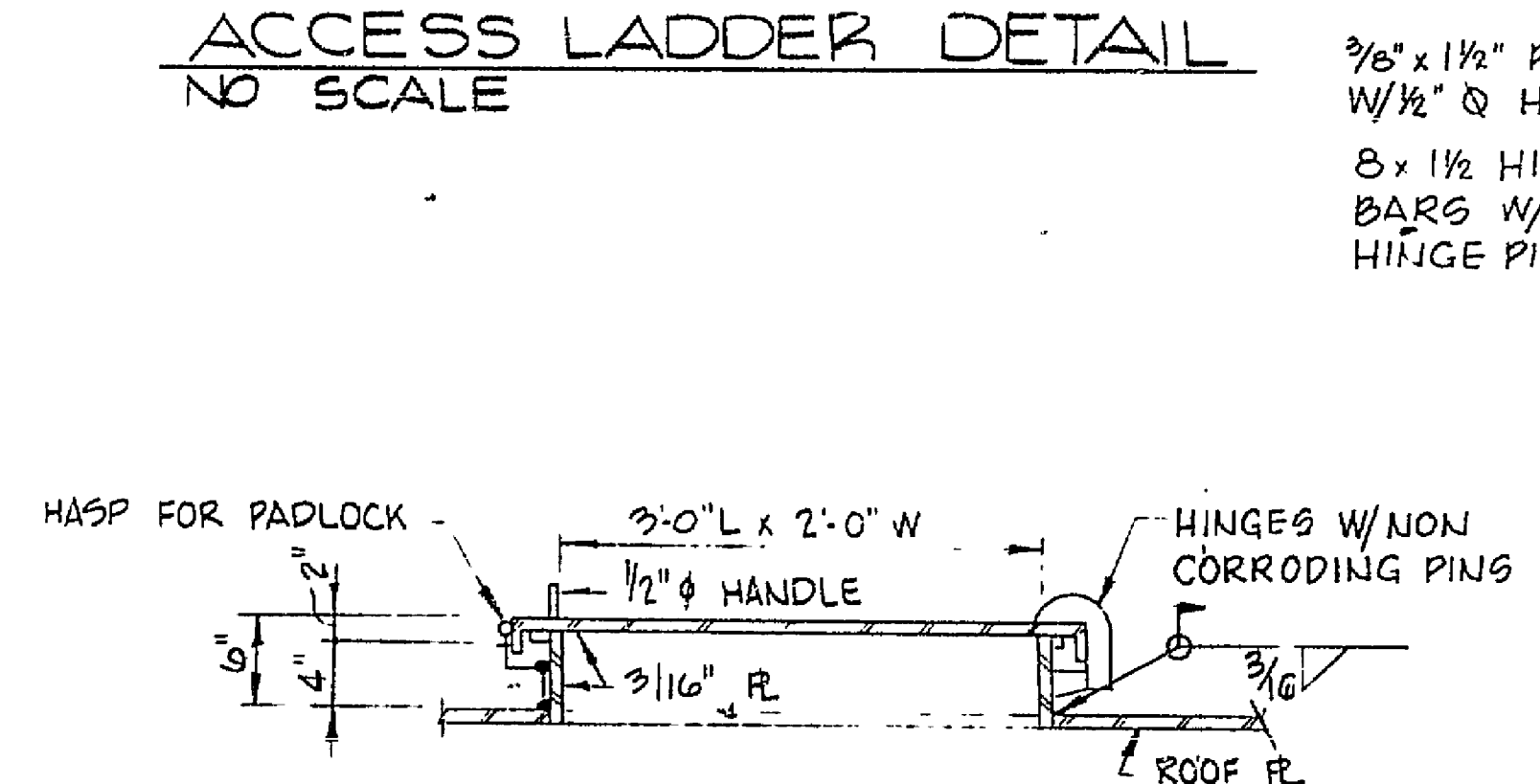
TANK DRAIN DETAIL  
NO SCALE

OVERFLOW PIPE BRACKET  
NO SCALE

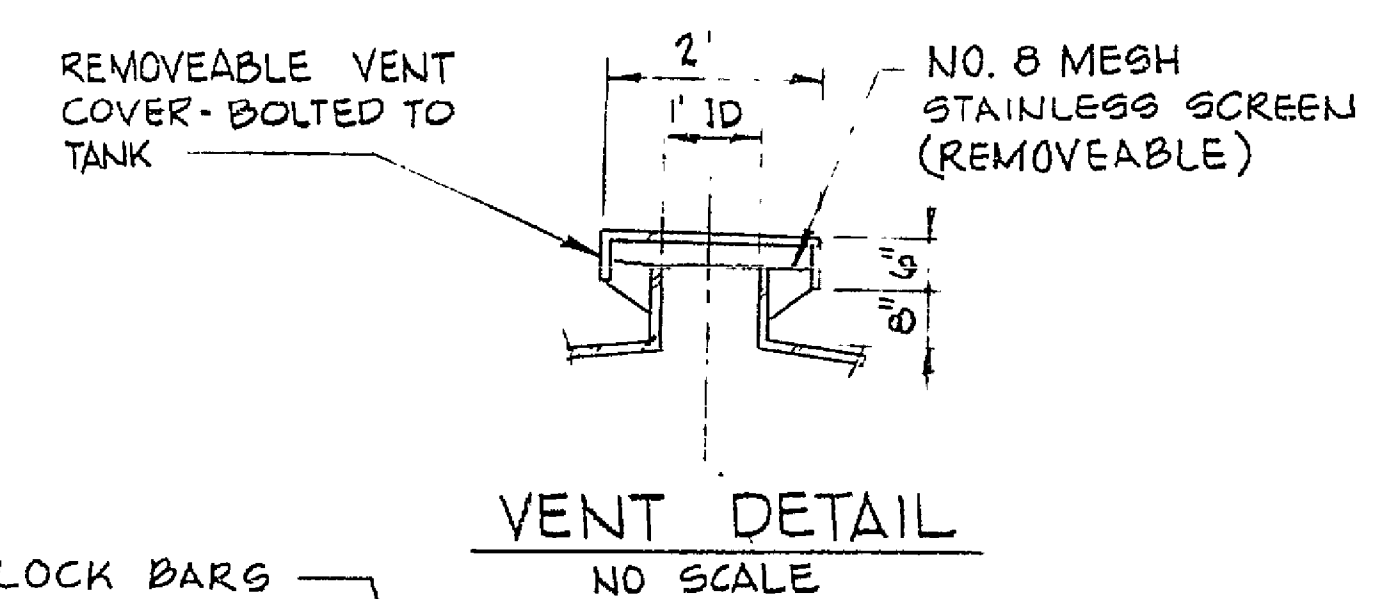


TANK ELEVATION  
NO SCALE

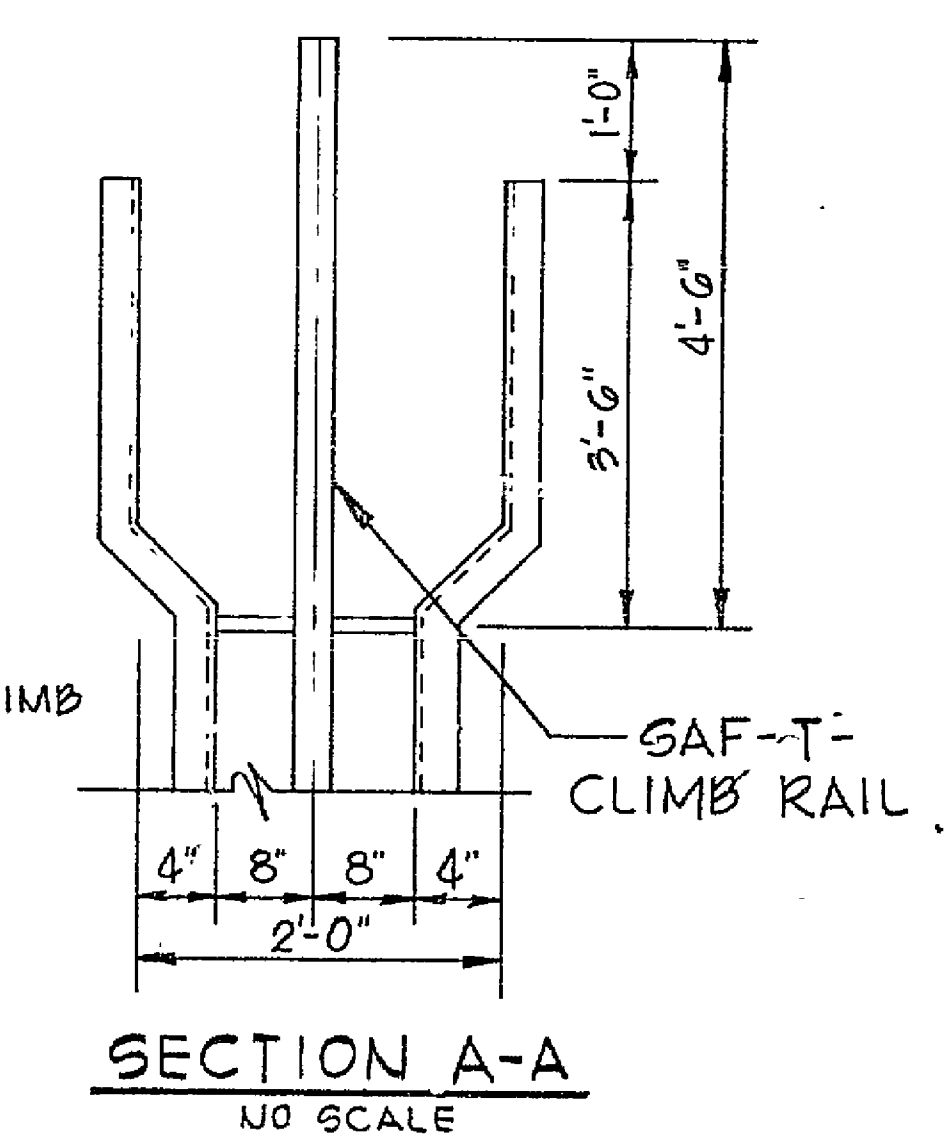
NOTE: SOME ELEMENTS IN THIS VIEW ROTATED OUT OF POSITION TO CLARIFY DETAILS. SEE ROOF PLAN ON SHEET 31 FOR CORRECT POSITIONS.



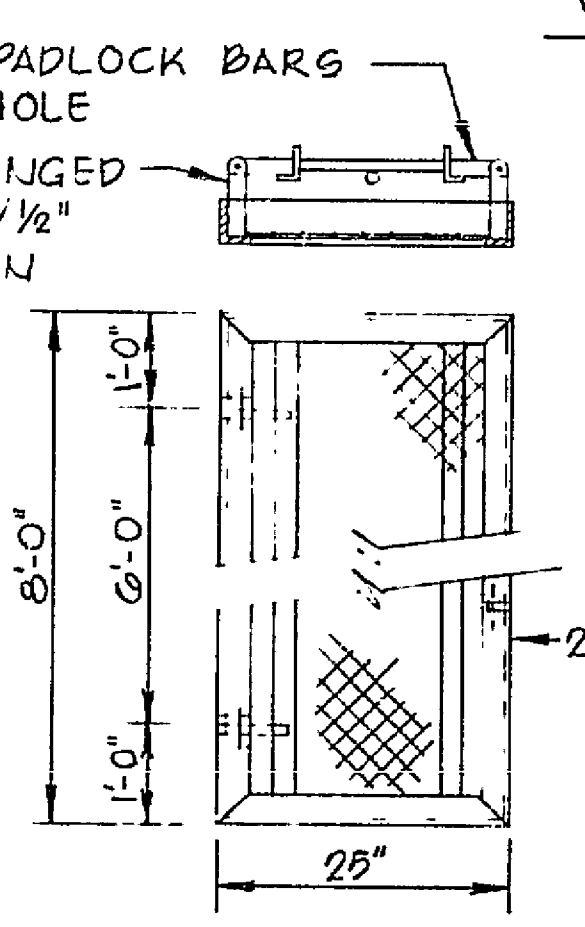
ROOF OPENING DETAIL  
NO SCALE



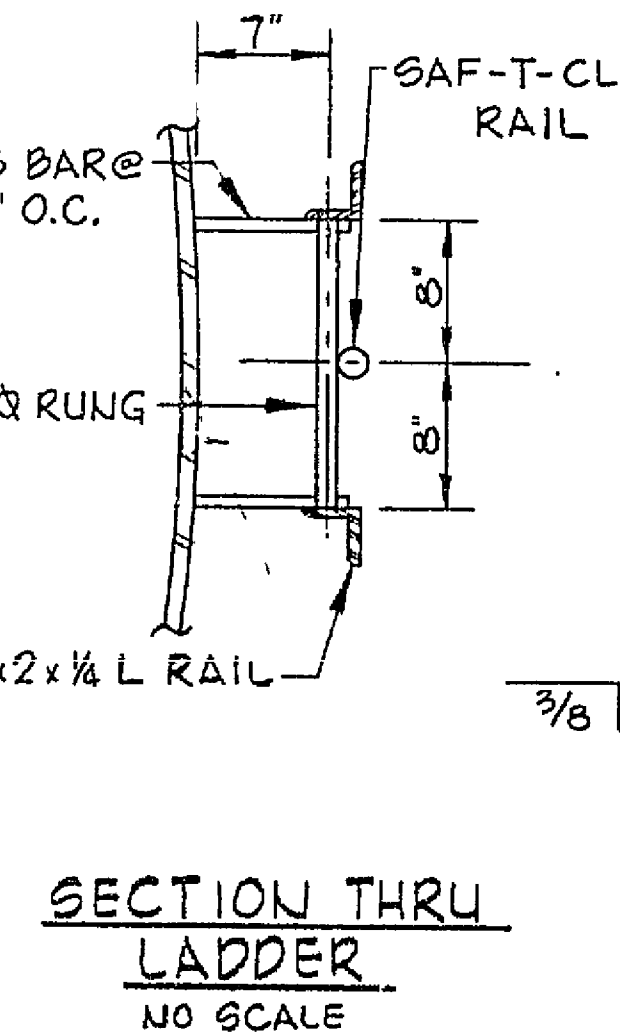
VENT DETAIL  
NO SCALE



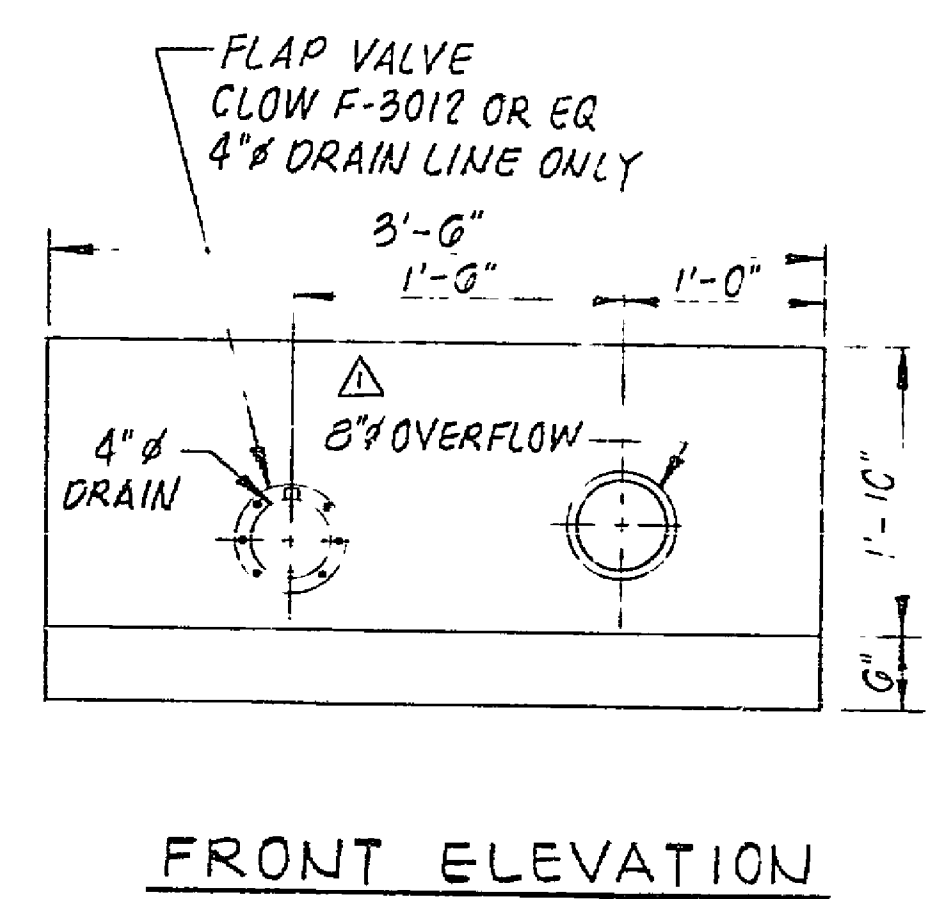
SECTION A-A  
NO SCALE



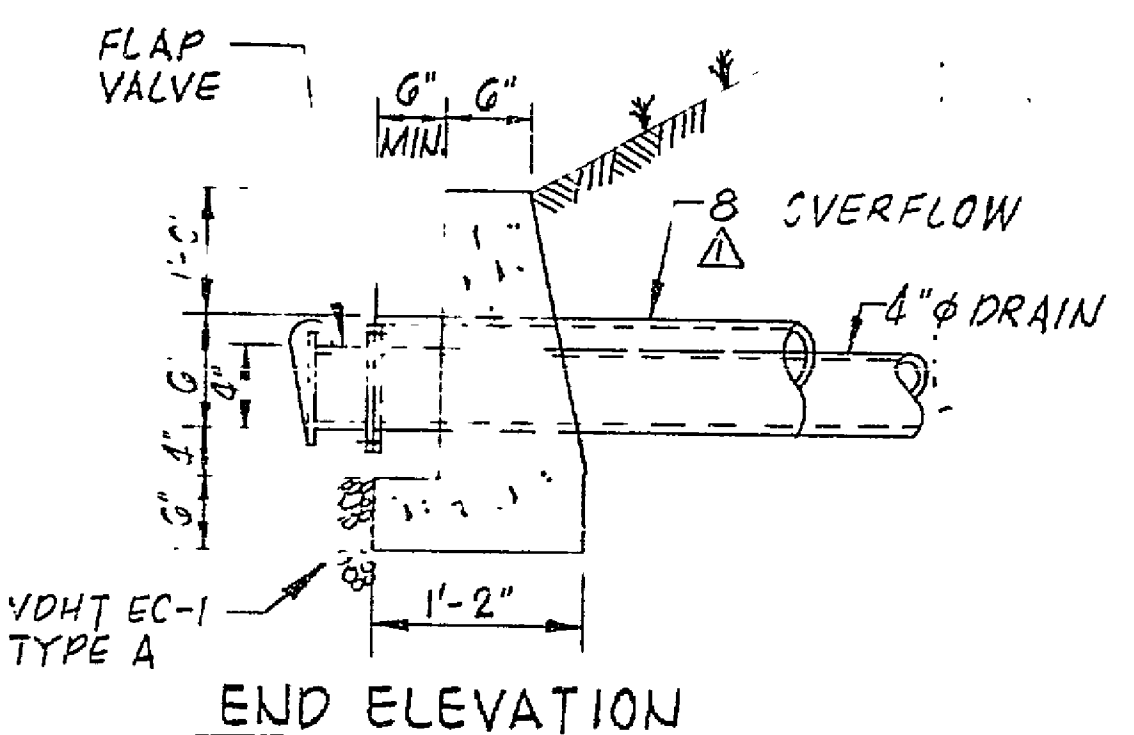
CLIMB PREVENTION SHIELD DETAIL  
NO SCALE



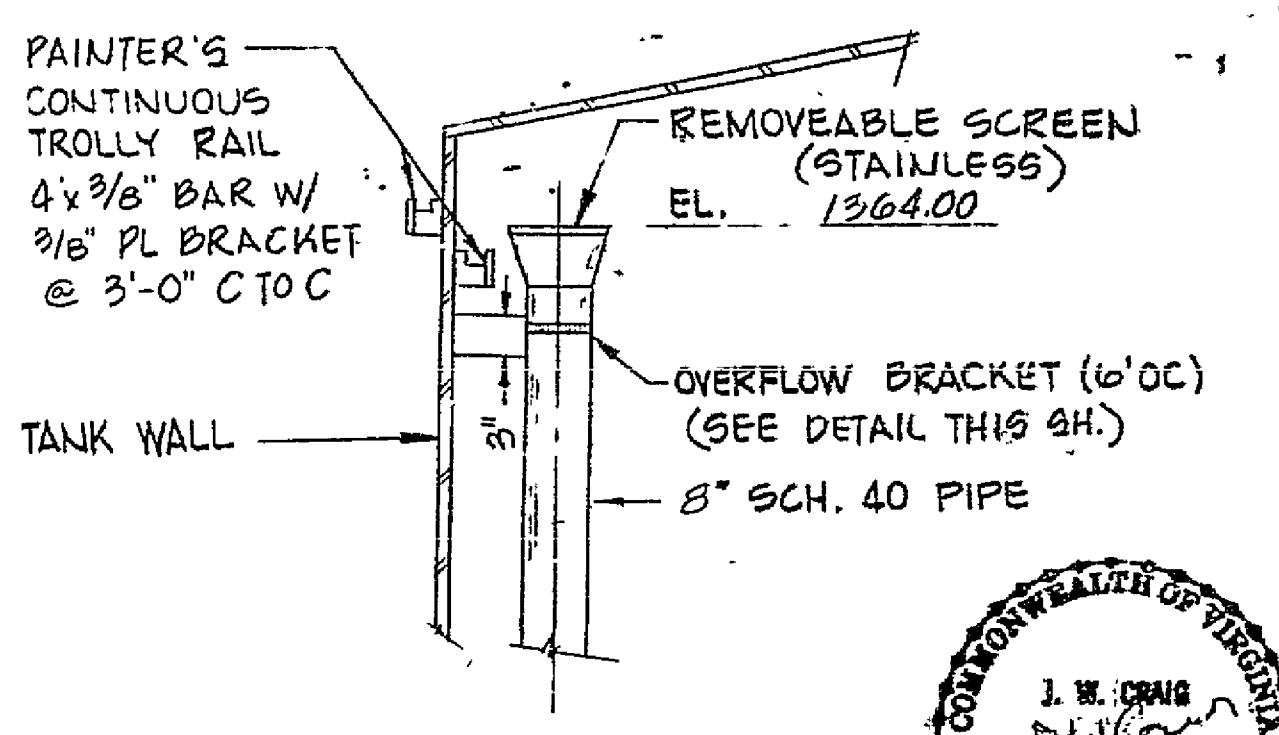
SECTION THRU LADDER  
NO SCALE



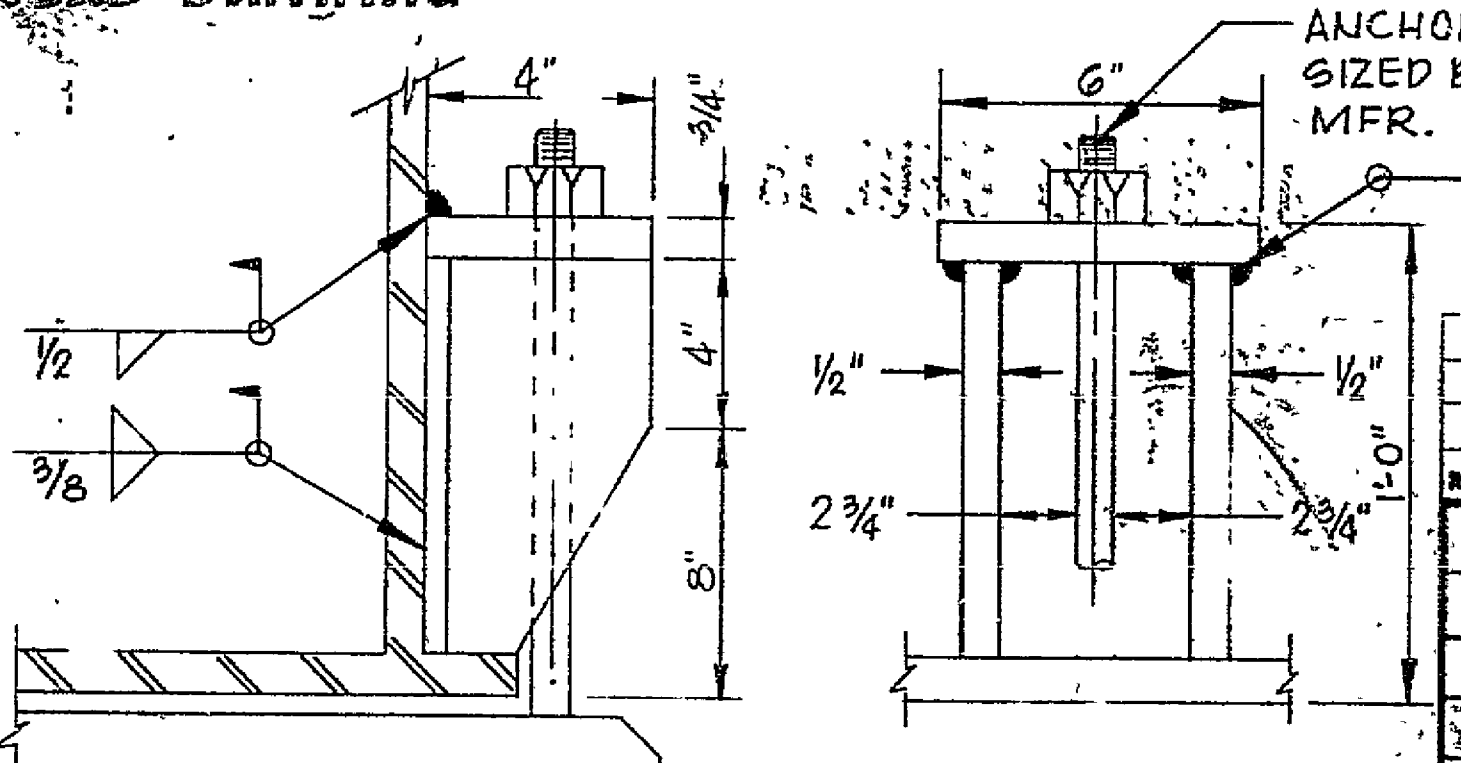
FRONT ELEVATION  
NO SCALE



END ELEVATION  
NO SCALE



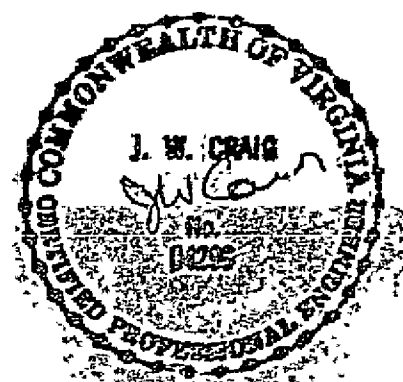
OVERFLOW DETAIL  
NO SCALE



ANCHOR LUG DETAIL  
NO SCALE

TANK INLET/OUTLET DETAIL  
NO SCALE

RECORD DRAWING



DESIGNED	CAT	DATE	12-88	REVISION	1	DATE	10-20-88	DESCRIPTION	PER VDH COMMENTS	BY	CAT	APP.	JWC
DRAWN	CAT	CHECKED	JWC	APPROVED		SUBMITTED		WATER TANK DETAILS					
								86-09-W/S					
Mattern and Craig								SCALE	AS NOTED	COMMENTS	NO.	491	
								DATE	AUG 86	SHEET	34		

